

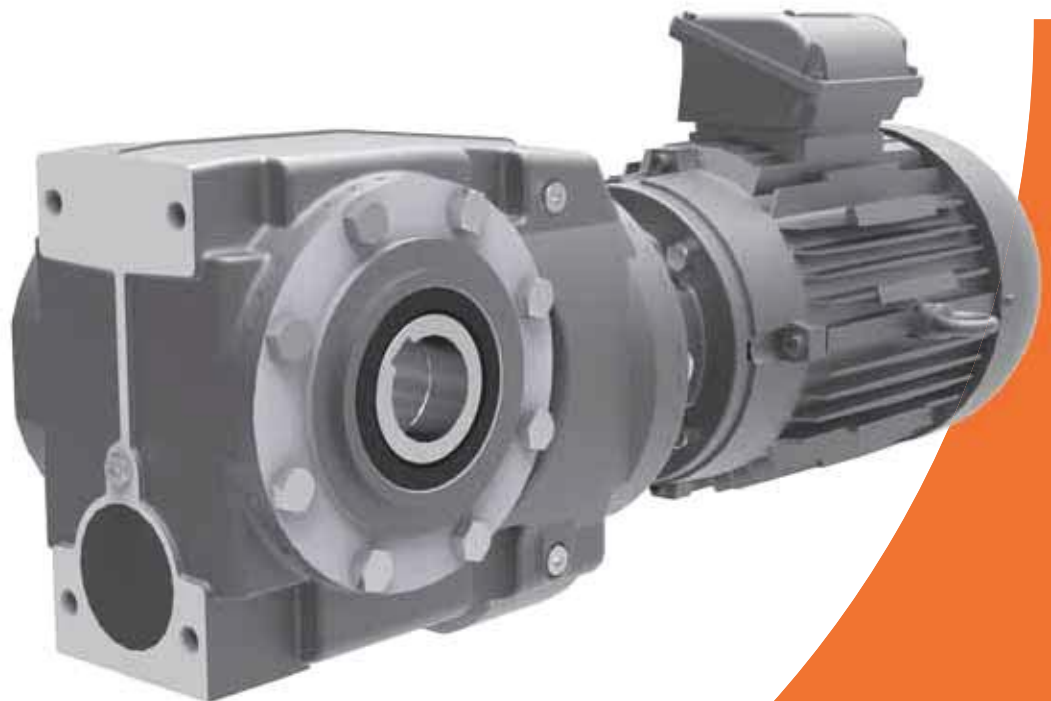
radicon

with you at every turn

benzlers

with you at every turn

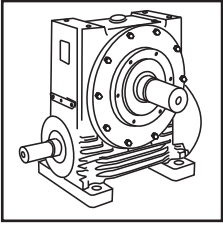
Series C Helical Worm



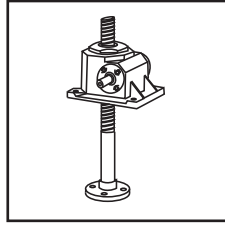
Technical
Up to - 45 Kw / 10,000 Nm

Geared Motors
CC-2.01GB0914

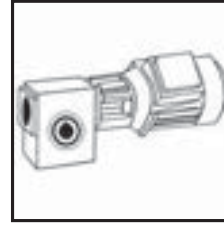
PRODUCTS IN THE RANGE



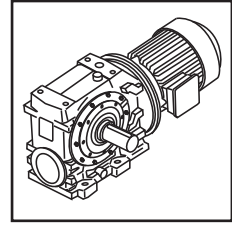
Series A
Worm Gear units
and geared motors
in single & double
reduction types



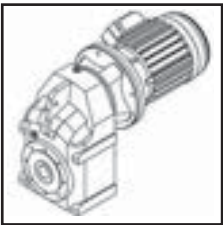
Series BD
Screwjack worm
gear unit



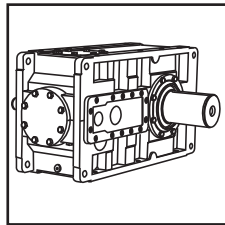
Series BS
Worm gear unit



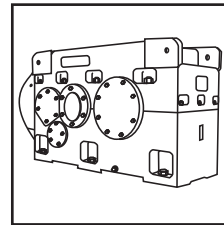
Series C
Right angle drive
helical worm geared
motors & reducers



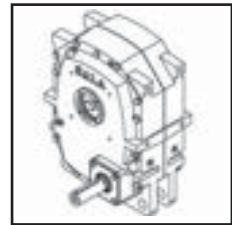
Series F
Parallel shaft helical
geared motors &
reducers



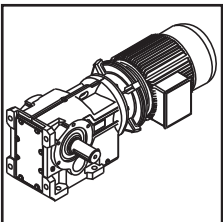
Series G
Helical parallel shaft
& bevel helical right
angle drive gear
units



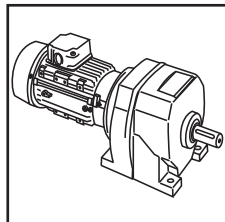
Series H
Large helical parallel
shaft & bevel helical
right angle drive units



Series J
Shaft mounted
helical speed
reducers



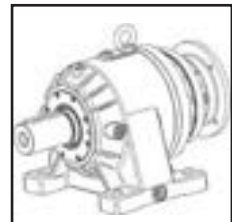
Series K
Right angle helical
bevel helical geared
motors & reducers



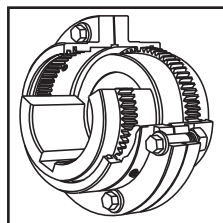
Series M
In-line helical geared
motors & reducers



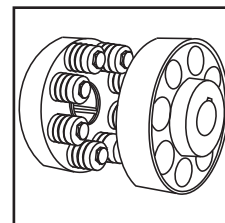
Roloid Gear Pump
Lubrication and fluid
transportation pump



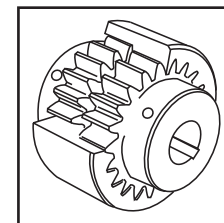
Series P
Planetary
Foot and flange
mounted planetary
units



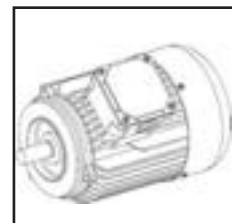
Series X
Elign Gear
Torsionally rigid,
high torque coupling



Series X
Elflex
Pin and bush
elastomer coupling



Series X
Nylicon
Gear coupling with
nylon sleeve



Motors
Full range of IEC
motors



We offer a wide range of repair services and many years experience of repairing demanding and highly critical transmissions in numerous industries.

We can create custom engineered transmission solutions of any size and configuration.

SERIES C

CONTENTS

| | |
|--|----------|
| General Description _____ | 2 |
| Unit Designations _____ | 3 |
| Explanation and use of Ratings and Service Factors _____ | 4 |
| Load Classification by Applications _____ | 5 |
| Selection Procedure _____ | 6 - 7 |
| Output Options _____ | 8 - 9 |
| Motor Adaptors _____ | 10 -12 |
| Lubrication _____ | 13 |
| Mounting Positions _____ | 14 |
| Unit Handlings _____ | 15 |
| MOTORISED | |
| Motor Performance Data and Standard Motor Variants Available _____ | 18 |
| Motor Details _____ | 19 |
| Additional Motor Features _____ | 20 |
| Additional Gearbox Features _____ | 21 |
| Selection Tables - Geared Motors _____ | 22 - 61 |
| Dimension Sheets - Geared Motors _____ | 62 - 69 |
| Dimensions Output Options _____ | 70 |
| Motorised Backstop Module _____ | 71 |
| REDUCER | |
| Overhung & Axial Loads on Shafts _____ | 74 |
| Ratings - Input Power / Output Torque _____ | 75 - 82 |
| Dimension Sheets - Speed Reducers _____ | 83 - 88 |
| Dimension Sheet - Units fitted with Feet _____ | 89 - 90 |
| Thermal Power Ratings / Dimensions of Unit with Fan _____ | 91 - 92 |
| Reducer Backstop Module _____ | 93 |
| OUTPUT OPTIONS | |
| Dimensions of Outputshaft Options _____ | 94 |
| Dimension Sheet - Torque Bracket _____ | 95 |
| Dimensions of B5 (D) Flange units _____ | 96 |
| Dimensions of B14 (C) Flange units _____ | 97 |
| Agitator Units _____ | 98 |
| Dimension Sheet - Assembly / Disassembly _____ | 99 - 100 |
| Shipping Specification _____ | 101 |
| Product Safety Data _____ | 102 |

SERIES C

GENERAL DESCRIPTION

Series C

right angle helical worm geared motors and reducers provide a highly efficient and compact solution to meet most requirements up to 45 kW with maximum output torque capacity of 10,000Nm.

Following a long line of power transmission products, this product adds to the growing family of new drives which has taken advantage of our many years of accumulated design expertise, together with the use of high quality materials and components. The end result is a series of speed reducing and geared motors offering high load carrying capacity, increased efficiency, quiet running and reliability.

The Range Includes

Eight sizes of units with a ratio coverage of 8:1 to 250:1 in double reduction and 16000:1 in combined units.

- Version W - Standard Unit (C03 - C06 Only)
- Version B - Standard Unit with Base Mounted Feet
- Version E - Standard Unit with End Mounted Feet
- Version R - Standard Unit with Top Mounted Feet
- Version V - Standard Unit with Drywell and Output Flange for Mounting Positions 2 & 3 (sizes C07 - C10 only)
- Version F/H - Standard Unit with Output Flange
- Version G - Standard Unit with Output Flange Reduced Diameter (size C03 only)
- Version T/Q - Standard Unit with Torque Arm
- Version U - Standard Unit Torque Arm Heavy Duty (C10 only)
- Version A - Agitator (Sizes C07 - C10 only)

Unit Types:

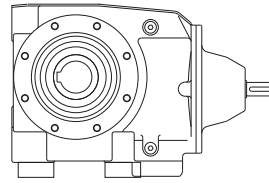
- Unit type M - Motorised with IEC Standard Motor
- Unit type D - Motorised with Compact Motor
- Unit type N - Motorised with NEMA Standard Motor
- Unit type H - Motorised with High Efficiency Motor (IE3)
- Unit type E - Motorised with NEMA High Efficiency Motor (PREMIUM)
- Unit type G - Unit to Allow Fitting of Customers IEC Motor
- Unit type A - Unit to Allow Fitting of Customers NEMA Motor
- Unit type R - Reducer Unit
- Unit type S - Reducer Unit with Fan Kit
- Unit type W - Reducer Unit with Backstop CCW Rotation
- Unit type X - Reducer Unit with Backstop CW Rotation
- Unit type Y - Reducer Unit with Fan and Backstop CW Rotation
- Unit type Z - Reducer Unit with Fan and Backstop CCW Rotation

Design Features Include

- Patented standard motor connection (IEC or NEMA).
- Ability to fit double oil seals input and output as required.
- All units are dimensionally interchangeable with other major manufacturers.
- Brake geared motors are available as standard.
- Sizes 03, 04, 05 and 06 are lubricated for life.
- Motorised units can be fitted with a backstop module and reducer units can be fitted with a backstop and fan.

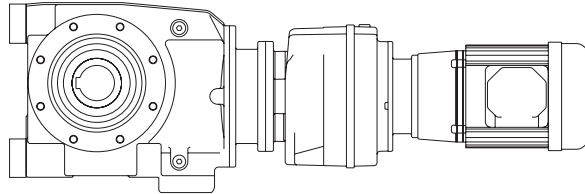
Units are manufactured and assembled from a family of modular kits for distributor friendliness minimising inventory and maximising availability.

As improvements in design are being made continually this specification is not to be regarded as binding in detail and



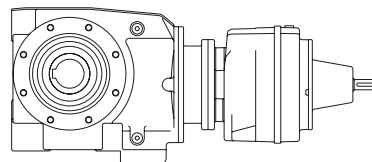
Two stage reduction unit with base mounted feet and hollow output shaft

* C 0 4 2 1 1 8 . B R H - 1 - - - - - - - -



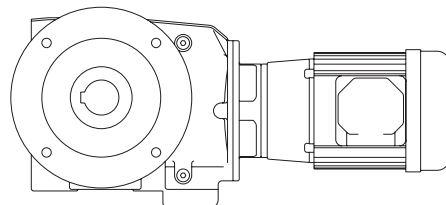
Four stage motorised unit with end mounted feet and hollow output shaft

* C 0 4 4 1 2 8 0 E M H - 1 A . 1 8 A - -

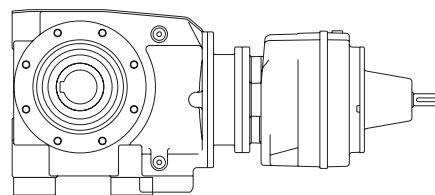


Four stage reduction unit with hollow output shaft

* C 0 5 4 1 2 8 0 W R H - 1 - - - - - - - -

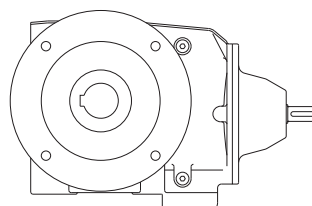


Two stage motorised unit with output flange and single extension output shaft



Four stage reduction unit with base mounted feet and hollow output shaft

* C 0 4 4 1 2 8 0 B R H - 1 - - - - - - - -

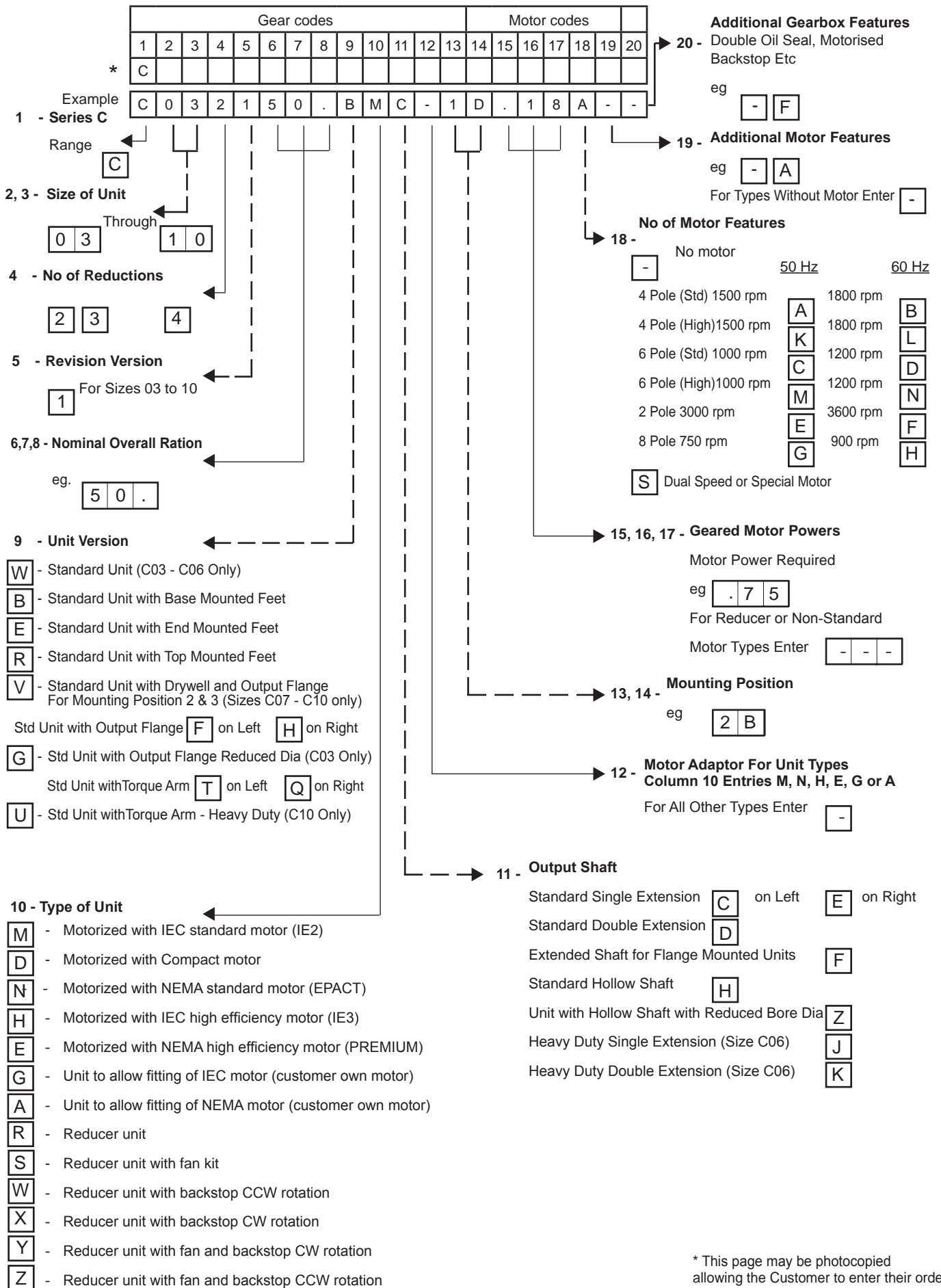


Two stage reduction unit with output flange and single extension output shaft

* C 0 5 2 1 1 6 0 F R C - 1 - - - - - - - -

* Typical unit designations

SERIES C



SERIES C

EXPLANATION & USE OF RATINGS & SERVICE FACTORS

Gear unit selection is made by comparing actual loads with catalogue ratings. Catalogue ratings are based on a standard set of loading conditions, whereas actual load conditions vary according to type of application. Service Factors are therefore used to calculate an equivalent load to compare with catalogue ratings.

i.e. Equivalent Load = Actual Load x Service Factor

Mechanical ratings and service factor Fm

Mechanical ratings measure capacity in terms of life and/or strength, assuming 10 hr/day continuous running under uniform load conditions.

Catalogue ratings allow 100% overload at starting, braking or momentarily during operation up to 10 hours per day.

The unit selected must therefore have a catalogue rating at least equal to half maximum overload.

Mechanical Service Factor Fm (Table 1) is used to modify the actual load according to daily operating time, and type of loading.

Load characteristics for a wide range of applications are detailed in Table 3 opposite, which are used in deciding the appropriate Service Factor Fm from Table 1.

If overloads can be calculated, or accurately assessed, actual loads should be used instead of Fm.

For units subjected to frequent stop/starts overloads in excess of 10 times/day multiply factor Fm x Factor Fs (table 2).

Table 1. Mechanical Service Factor (Fm)

| Prime Mover | Duration of service hrs Per day | Load classification- driven machine | | |
|---|---------------------------------|--|---|--------------------------------|
| | | Uniform mass acceleration factor < 0.2 | Moderate mass acceleration factor < 0.3 | Heavy acceleration factor < 10 |
| Electric Motor, Steam Turbine, or Hydraulic Motor | < 3 | 0.80 | 1.00 | 1.50 |
| | 3 - 10 | 1.00 | 1.25 | 1.75 |
| | > 10 | 1.25 | 1.50 | 2.00 |
| Multi-cylinder internal combustion engine | < 3 | 1.00 | 1.25 | 1.75 |
| | 3 - 10 | 1.25 | 1.50 | 2.00 |
| | > 10 | 1.50 | 1.75 | 2.25 |
| single cylinder internal combustion engine | < 3 | 1.25 | 1.50 | 2.00 |
| | 3 - 10 | 1.50 | 1.75 | 2.25 |
| | > 10 | 1.75 | 2.00 | 2.50 |

Mass acceleration factor = $\frac{\text{all external moments of inertia}^*}{\text{moment of inertia of driving motor}}$

* calculated with reference to the motor speed

Table 2. Number of Starts Factor (Fs)

| Starts/ stops per hour | < 1 | 5 | 10 | 40 | 60 | > 200 |
|------------------------|------|------|------|------|------|-------|
| Factor FS | 1.00 | 1.03 | 1.06 | 1.10 | 1.15 | 1.20 |

Note: (1) Intermediate values are obtained by linear interpolation

Thermal Rating (For In-line Reducers)

The Thermal Rating is the gearboxes ability to dissipate heat. If exceeded, may cause the lubricant to break down resulting in premature gear failure. A thermal check should be made in accordance with the Thermal Rating Procedure

SERIES C

LOAD CLASSIFICATION BY APPLICATION

Load Classifications - U =Uniform Load M =Moderate Shock Load H =Heavy Shock Load † =Consult our Engineers

| | | | | | | | |
|--|---|------------------------------------|---|----------------------------|---|-------------------------------|---|
| Agitators | | Elevators | | Machine Tools | | Pumps | |
| Pure liquids | U | Bucket - Uniform load | U | Bending roll | M | Centrifugal proportioning | U |
| Liquids and solids | M | Bucket - Heavy load | M | Punch press | H | Proportioning | M |
| Liquids variable density | M | Bucket - Continuous | U | Notching press | H | Reciprocating | |
| | | Centrifugal discharge | U | Plate planer | H | Single acting 3+ cylinders | M |
| Blowers | | Escalators | U | Other machine tools | | Double acting 2+ cylinders | M |
| Centrifugal | U | Freight | M | Main drive | M | Single acting 1 & 2 cylinders | † |
| Lobe | M | Gravity discharge | U | Aux drive | U | Double acting 1 cylinder | † |
| Vane | U | Passenger lifts | † | | | Rotary- gear type | U |
| | | | | Metal mills | | Rotary- lobe type/ vane | U |
| Brewing & distilling | | Fans | | Carriage/main drive | M | | |
| Bottling machinery | M | Centrifugal | U | Draw bench | M | Sand muller | M |
| Brew Kettles | M | Cooling towers | | Dryer | M | | |
| Cookers | M | Induced draft | † | Flattening machinery | M | Sewage treatment | |
| Mash tubs | M | Forced draft | † | Pinch drive | M | Bar screen | U |
| Scale hopper | M | Fan - Large diameter induced draft | M | Reversing slitters | M | Chemical feeder | U |
| | | Fan - Light, small diameter | M | Scrubber rolls | M | Collector | U |
| Can filling machinery | M | | | Table conveyors | | Dewatering screw | M |
| | | Feeders | | Group drives | H | Mixers | M |
| Crane knife | M | Apron | M | Individual drives | H | Scum breaker | M |
| | | Belt | M | Table conveyors- reversing | H | Thickness | M |
| Car dumper | M | Disc | U | Wire draw | M | Vacuum filters | M |
| | | Reciprocating | H | Wire roll | M | | |
| | | Screw | M | | | Screens | |
| Car puller | M | | | Mills | | Air washing | U |
| | | Food industry | | Cement kiln | H | Rotary, stone or gravel | M |
| Clarifier | U | Cereal cooker | U | Dryer, Cooler | H | Traveling water intake | U |
| | | Dough mixer | M | Kiln (other) | H | | |
| Classifier | M | Meat grinder | M | Rod plain | H | Slab pushers | M |
| | | Meat slicer | M | Rod wedge bar | H | | |
| Clay wokring machinery | | | | Rotary/ Ball | H | Slewing | H |
| Brick press | H | Generators - not welding | U | Tumbling barrel | H | | |
| Briquette machine | H | | | | | Steering gear | † |
| Clay working machinery | M | Hammer mills | H | Mixers | | | |
| Plug mill | M | | | Concrete | M | Stokers | U |
| | | Hoists | | Cons density | U | | |
| Compressors | | Heavy duty | H | Variable density | M | Sugar industry | |
| Centrifugal | U | Medium duty | M | | | Can knife | M |
| Lobe | M | Skip hoist | M | Oil industry | | Crusher | M |
| Reciprocating | | | | Chiller's | M | Mills | M |
| Multi cylinder | M | Laundry | | Oil well pump | M | | |
| Single cylinder | H | Tumbler | M | Filter press | M | Textile industry | |
| | | Washer | M | Rotary kiln | M | Batchers | M |
| Conveyors- Light duty uniform load | | | | Paper industry | | Calenders | M |
| Apron | U | Line shafts | | Agitator (mixer) | M | Cards | M |
| Assembly | U | Heavy duty | M | Barker (hydraulic) | M | Dry cans | M |
| Belt | U | Light duty | U | Barker (mechanical) | H | Dryers | M |
| Bucket | U | | | Barking drum | H | Dyeing machinery | M |
| Chain | U | Lumber industry | | Beater & Pulper | M | Knitting machinery | M |
| Flight | U | Barkers | M | Bleacher | U | Looms | M |
| Oven | U | Burner conveyor | H | Calendnders | M | Mangles | M |
| Screw | U | Chain/ Drag saw | H | Calenders- super | H | Nappers | M |
| | | Chain transfer | H | Converting machine | M | Pads | M |
| Conveyors - Heavy duty uniform load | | Chain way transfer | H | Conveyors | U | Range drive | M |
| Apron | M | De- barking drum | H | Couch | M | Slashers | M |
| Assembly | M | Edger feed | M | Cutters - plates | H | Soapers | M |
| Belt | M | Gang feed | M | Cylinders | M | Spinners | M |
| Bucket | M | Green chain | M | Dryers | M | Tenter frame | M |
| Chain | M | Live roll | H | Felt stretchers | M | Washers | M |
| Flight | M | Log deck | H | Felt whipper | H | Winders | M |
| Live roll | † | Log haul | H | Jordans | M | | |
| Oven | M | Log turning | H | Log haul | H | Windlass | † |
| Reciprocating | M | Log conveyer | H | Machine real | M | | |
| Screw | M | Of bearing roll | M | Presses | M | | |
| Shaker | M | Planer feed chaines | M | Stock chest | M | | |
| | | Planer hoist | M | Suction roll | M | | |
| Cranes | † | Re-saw conveyor | M | Washers & thickeners | M | | |
| | | Roll cases | H | Winders | M | | |
| Crusher | | Slab conveyor | H | | | | |
| Ore | H | Sorting table - triple hoist | M | Printing presses | † | | |
| Stone | H | Triple hoist - Drive /conveyor | M | | | Pullers | |
| Sugar | H | Transfer conveyor | M | | | Barge haul | H |
| | | Transfer roll | M | | | | |
| Dredger | M | Tray drive | M | | | | |
| Cable reals | M | Trimmer feed | M | | | | |
| Conveyors | M | Waster conveyor | M | | | | |
| Cutter head drive | H | Small waste conveyor (belt) | U | | | | |
| Pumps | M | Small waste conveyor (chain) | U | | | | |
| Screen drive | H | | | | | | |
| Stackers | M | | | | | | |
| Winches | M | | | | | | |

SERIES C

SELECTION PROCEDURE FOR MOTORISED UNITS

EXAMPLE APPLICATION DETAILS

Absorbed power of driven machine = 0.7 kW
 Output speed of gearbox or Input speed of machine = 68 rev/min
 Application = Uniformly loaded belt conveyor
 Duration of service (hours per day) = 24hrs
 Mounting position = 1
 Ambient temperature = 20°C
 Running time (%) = 100%

Note!
 If you select a Series C Reducer for use without TEFC motor, A thermal check must be made.

1 DETERMINE MECHANICAL SERVICE FACTOR (Fm)

Refer to Load Classification by Application, table 3, page 6

Application = Uniformly loaded belt conveyor

Conveyors-uniformly loaded or fed

| | | |
|----------|---|------------------|
| apron | U | U = Uniform load |
| assembly | U | |
| belt | U | |
| bucket | U | |
| chain | U | |

Refer to mechanical service factor (Fm)

Duration of service (hours per day) = 24hrs

| Prime mover | Duration of service per day | Load classification | |
|--|-----------------------------|---------------------|----------|
| | | Uniform | Moderate |
| Electric motor, steam turbine or hydraulic motor | < 3 | 0.80 | 1.00 |
| | 3 - 10 | 1.00 | 1.25 |
| | > 10 | 1.25 | 1.50 |

Therefore mechanical service factor (Fm) = 1.25

If the unit is subject to frequent start/stops Fm must be multiplied by factor Fs

2 DETERMINE REQUIRED OUTPUT TORQUE AT GEARBOX OUTPUT SHAFT

Absorbed output torque = $\frac{\text{Absorbed power} \times 9550}{\text{Gearbox output speed}}$

$$\frac{0.7 \times 9550}{68} = 98 \text{ Nm}$$

3 SELECT GEARED MOTOR

Refer to selection table one motor size larger than absorbed power. Absorbed power = 0.7 kW, therefore refer to 0.75 kW selection table.

Always select from 4 POLE selection table in the first instance as this offers a more economical solution.

Required output speed of gearbox = 68 rev/min

| 0.75 kW 4 POLE | N2 R/MIN | i | M2 Nm | Fm | N | UNIT DESIGNATION | Kg | Motor Frame Size |
|-------------------|--------------|-------|---------------|----------------|---------------|---|---------------------------|------------------|
| | Output Speed | Ratio | Output Torque | Service Factor | Overhung Load | Column Entry <input type="text" value="1"/> Through <input type="text" value="20"/> Spaces to be filled when entering order | Weight of Base Mount Unit | |
| | 165 | 8.59 | 36 | 2.24 | 2841 | C 0 3 2 1 8 . 0 _ M _ _ _ . 7 5 A - - | 19.5 | 80A |
| | 122 | 11.61 | 48 | 1.81 | 2837 | 1 1 . | | |
| | 107 | 13.20 | 54 | 1.65 | 2832 | 1 2 . | | |
| | 95 | 14.95 | 62 | 1.51 | 2832 | 1 4 . | | |
| | 86 | 16.36 | 60 | 1.44 | 2827 | 1 6 . | | |
| | 74 | 19.12 | 78 | 1.27 | 2821 | 1 8 . | | |
| | 69 | 20.61 | 84 | 1.2 | 2821 | 2 0 . | | |
| | 64 | 22.11 | 80 | 1.18 | 2821 | 2 2 . | | |
| | 56 | 25.14 | 90 | 1.08 | 2810 | 2 5 . | | |
| | 50 | 28.48 | 101 | 1 | 2810 | 2 8 . | | |

Go to point 4

SERIES C

SELECTION PROCEDURE FOR MOTORISED UNITS

4 CHECK OUTPUT TORQUE

Output torque (M2) of selected unit must be equal or more than required output torque at gearbox outputshaft.

Required output torque at gearbox outputshaft = 98 Nm.

| 0.75 kW 4 POLE | N2 R/MIN | i | M2 Nm | Fm | N | UNIT DESIGNATION | Kg | |
|-------------------|-----------------|-------|------------------|-------------------|------------------|--|---------------------------------|------------------------|
| | Output SPEED | Ratio | Output Torque | Service Factor | Overhung Load | Column Entry <input type="text" value="1"/> Through <input type="text" value="20"/> Spaces to be filled when entering order | Weight of Base Mount Unit | Motor Frame Size |
| | 74 | 19.12 | 78 | 1.27 | 2821 | C 0 3 2 1 1 8 . _ M _ _ _ . 7 5 A _ _ | 19.5 | 80A |
| 69 | 20.61 | 84 | 1.2 | 2821 | 2 0 . | | | |
| 64 | 22.11 | 80 | 1.18 | 2821 | 2 2 . | | | |

However the output torque is only 84 against the requirement of 98 Nm, hence a unit fitted with a 1.1 kW motor is required

| 1.1 kW 4 POLE | N2 R/MIN | i | M2 Nm | Fm | N | UNIT DESIGNATION | Kg | |
|------------------|-----------------|-------|------------------|-------------------|------------------|--|---------------------------------|------------------------|
| | Output SPEED | Ratio | Output Torque | Service Factor | Overhung Load | Column Entry <input type="text" value="1"/> Through <input type="text" value="20"/> Spaces to be filled when entering order | Weight of Base Mount Unit | Motor Frame Size |
| | 74 | 19.12 | 115 | 0.86 | 2800 | C 0 3 2 1 1 8 . _ M _ _ _ _ 1 - 1 A _ _ | 24.5 | 90S |
| 68 | 20.61 | 123 | 0.82 | 2800 | 2 0 . | | | |
| 64 | 22.11 | 117 | 1.8 | 2800 | 2 2 . | | | |

Selected unit's output torque (M2) = 123 Nm, therefore the torque from a 1.1 kW motor is acceptable.

5 CHECK SERVICE FACTOR

Service factor (Fm) of selected unit must be equal or more than required service factor.

Required service factor of gearbox = 1.25

| 1.1 kW 4 POLE | N2 R/MIN | i | M2 Nm | Fm | N | UNIT DESIGNATION | Kg | |
|------------------|-----------------|-------|------------------|-------------------|---|--|---------------------------------|------------------------|
| | Output SPEED | Ratio | Output Torque | Service Factor | Overhung Load | Column Entry <input type="text" value="1"/> Through <input type="text" value="20"/> Spaces to be filled when entering order | Weight of Base Mount Unit | Motor Frame Size |
| | 74 | 19.12 | 115 | 0.86 | 2800 | C 0 3 2 1 1 8 . _ M _ _ _ _ 1 - 1 A _ _ | 24.5 | 90S |
| 68 | 20.61 | 123 | 0.82 | 2800 | 2 0 . | | | |
| 64 | 22.11 | 117 | 0.8 | 2800 | 2 2 . | | | |
| 86 | 16.36 | 91 | 1.57 | 5275 | C 0 4 2 1 1 6 . 0 _ M _ _ _ _ 1 - 1 A _ _ | 26.5 | 90S | |
| 74 | 19.12 | 117 | 1.43 | 5275 | C 0 4 2 1 1 8 . 0 | | | |
| 68 | 20.61 | 125 | 1.36 | 5275 | C 0 4 2 1 2 0 . 0 | | | |
| 64 | 22.11 | 121 | 1.28 | 5275 | C 0 4 2 1 2 2 . 0 | | | |

The service factor (Fm) is only 0.82, therefore this unit is not acceptable. and a larger C0421 unit must be selected with a service factor (Fm) of 1.36

5 CHECK OVERHUNG LOADS

If sprocket, gear, etc is mounted on the outputshaft then refer to Overhung Loads Procedure, and compare with allowable overhung load (N) of selected unit

Allowable overhung load (N) must be equal or more than calculated overhung load (P)

| 1.1 kW 4 POLE | N2 R/MIN | i | M2 Nm | Fm | N | UNIT DESIGNATION | Kg | |
|------------------|-----------------|-------|------------------|-------------------|------------------|--|---------------------------------|------------------------|
| | Output Speed | Ratio | Output Torque | Service Factor | Overhung Load | Column Entry <input type="text" value="1"/> Through <input type="text" value="20"/> Spaces to be filled when entering order | Weight of Base Mount Unit | Motor Frame Size |
| | 164 | 8.59 | 54 | 2.51 | 5286 | C 0 4 2 1 8 . 0 _ M _ _ _ _ 1 - 1 A _ _ | 24.5 | 90S |
| 121 | 11.61 | 72 | 2.04 | 5279 | 1 1 . | | | |
| 107 | 13.20 | 82 | 1.87 | 5280 | 1 2 . | | | |
| 94 | 14.95 | 92 | 1.71 | 5275 | 1 4 . | | | |
| 86 | 16.36 | 91 | 1.57 | 5275 | 1 6 . | | | |
| 74 | 19.12 | 117 | 1.43 | 5275 | 1 8 . | | | |
| 68 | 20.61 | 125 | 1.36 | 5275 | 2 0 . | | | |
| 64 | 22.11 | 121 | 1.28 | 5275 | 2 2 . | | | |

NOTE: If any of the following conditions occur then consult our Application Engineers:-

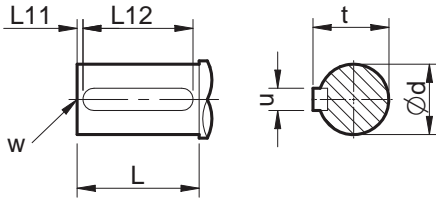
a) Inertia of the Driven Machine (Referred to motor speed) >10
Inertia of Gear Unit plus the Motor

b) Ambient temperature is above 40°C

SERIES C

OUTPUT OPTIONS

OUTPUTSHAFT OPTIONS, COLUMN 11 ENTRY



* Inch shafts have open ended keyways, therefore no 'L11' dimension is required

Column 11 Entry

Standard Single Extension C on Left E on Right

Standard Double Extension D

Std Heavy Duty Single Extension (Size C06) J

Std Heavy Duty Double Extension (Size C06) K

Inch Single Extension N on Left B on Right

Inch Double Extension P

Inch Heavy Duty Single Extension (Size C06) L

| Size | Type of Output Shaft | Column 11 Entry | Dimensions in mm (Inch shaft in inches) | | | | | | |
|------|----------------------|-----------------|---|-------|-----|--------|--------|--------|------------------|
| | | | Ød | L | L11 | L12 | t | u | w |
| C03 | Metric - Standard | C, E, D | 20.015 / 20.002 | 35 | 3 | 31.2 | 2.5 | 6 | M6 x 1.0 x 16 |
| | Inch | N, B, P | 0.7500" / 0.7495" | 1.38" | * | 1.28" | 0.83" | 0.19" | 1/4 UNF x 0.63" |
| C04 | Metric - Standard | C, E, D | 25.015 / 25.002 | 46 | 3 | 42 | 28 | 8 | M10 x 1.5 x 22 |
| | Inch | N, B, P | 1.0000" / 0.9995" | 1.81" | * | 1.69" | 1.10" | 0.25" | 1/4 UNF x 0.63" |
| C05 | Metric - Standard | C, E, D | 30.015 / 30.002 | 60 | 3 | 53 | 33 | 8 | M10 x 1.5 x 22 |
| | Inch | N, B, P | 1.2500" / 1.2494" | 2.36" | * | 2.125" | 1.36" | 0.25" | 3/8 UNF x 0.87" |
| C06 | Metric - Standard | C, E, D | 35.018 / 35.002 | 63 | 3 | 55 | 38 | 10 | M12 x 1.75 x 22 |
| | Metric - Heavy Duty | J, K | 45.018 / 45.002 | 98 | 5 | 80 | 48.5 | 14 | M16 x 2.0 x 36 |
| | Inch | N, B, P | 1.3750" / 1.3744" | 2.48" | * | 2.34" | 1.51" | 0.313" | 1/2 UNF x 1.125" |
| | Inch - Heavy Duty | L | 1.7500" / 1.7494" | 3.86" | * | 3.75" | 1.92" | 0.375" | 5/8 UNF x 1.44" |
| C07 | Metric - Standard | C, E, D | 45.018 / 45.002 | 76 | 3 | 70 | 48.5 | 14 | M16 x 2.0 x 36 |
| | Inch | N, B, P | 1.7500" / 1.7494" | 2.99" | * | 2.625" | 1.917" | 0.375" | 5/8 UNF x 1.44" |
| C08 | Metric - Standard | C, E, D | 60.030 / 60.011 | 120 | 3 | 110 | 64 | 18 | M20 x 2.5 x 42 |
| | Inch | N, B | 2.3750" / 2.3744" | 4.72" | * | 4.125" | 2.646" | 0.625" | 3/4 UNF x 1.75" |
| | Inch - Double Ext | P | 2.3125" / 2.3115" | 4.72" | * | 4.125" | 2.582" | 0.625" | 3/4 UNF x 1.75" |
| C09 | Metric - Standard | C, E, D | 70.030 / 70.011 | 135 | 3 | 125 | 74.5 | 20 | M20 x 2.5 x 42 |
| | Inch | N, B | 2.8750" / 2.8740" | 5.12" | * | 4.5" | 3.20" | 0.75" | 3/4 UNF x 1.75" |
| | Inch - Double Ext | P | 2.6875" / 2.6865" | 5.12" | * | 4.5" | 2.963" | 0.625" | 3/4 UNF x 1.75" |
| C10 | Metric - Standard | C, E, D | 90.035 / 90.013 | 170 | 3 | 160 | 95 | 25 | M24 x 3.0 x 50 |
| | Inch | N, B | 3.6250" / 3.6240" | 6.69" | * | 5.875" | 4.009" | 0.875" | 1 UNF x 2.25" |
| | Inch - Double Ext | P | 3.1875" / 3.1865" | 6.69" | * | 5.875" | 3.518" | 0.750" | 1 UNF x 2.25" |

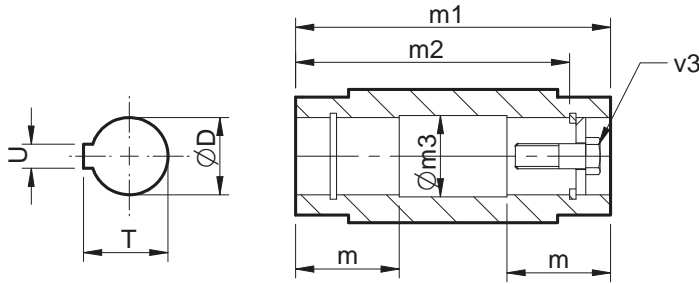
SERIES C

OUTPUTBORE OPTIONS

OUTPUT BORE OPTIONS, COLUMN 11 ENTRY

Column 11 Entry

- Metric Hollow Shaft H
- Inch Hollow Shaft A
- Metric Hollow Shaft with reduced bore diameter Z



| Size | Type of Bore | Column 11 Entry | Dimensions in mm (Inch shaft in inches) | | | | | | | |
|------|--------------|-----------------|---|-------|--------|--------|------------------|-------|--------|-------------------|
| | | | $\varnothing D$ | m | m1 | m2 | $\varnothing m3$ | T | U | v3 |
| C03 | Standard | H | 20.021/20.000 | 52 | 124 | 104 | 20.2 | 22.9 | 6 | M6 x 1.0 x 40 |
| | Inch | A | 0.7508"/0.7500" | 2.05" | 4.88" | 4.13" | 0.76" | 0.84" | 0.188" | 1/4" UNF x 1 1/2" |
| C04 | Standard | H | 30.021/30.000 | 54 | 130 | 122 | 30.2 | 33.5 | 8 | M10 x 1.5 x 50 |
| | Reduced Dia | Z | 25.021/25.000 | 54 | 130 | 125 | 25.2 | 28.5 | 8 | M10 x 1.5 x 50 |
| | Inch | A | 1.2510"/1.2500" | 2.13" | 5.12" | 4.81" | 1.26" | 1.37" | 0.25" | 3/8" UNF x 2" |
| C05 | Standard | H | 35.025/35.000 | 56 | 140 | 127 | 35.3 | 38.5 | 10 | M12 x 1.75 x 55 |
| | Reduced Dia | Z | 30.021/30.000 | 56 | 140 | 127 | 30.3 | 33.5 | 8 | M10 x 1.5 x 45 |
| | Inch | A | 1.3760"/1.3750" | 2.20" | 5.52" | 5.00" | 1.39" | 1.53" | 0.313" | 1/2" UNF x 2" |
| C06 | Standard | H | 45.025/45.000 | 70 | 180 | 156 | 45.3 | 49 | 14 | M16 x 2.0 x 70 |
| | Reduced Dia | Z | 40.025/40.000 | 70 | 180 | 156 | 40.3 | 43.5 | 12 | M16 x 2.0 x 70 |
| | Inch | A | 1.5010"/1.5000" | 2.76" | 7.08" | 6.14" | 1.51" | 1.67" | 0.375" | 5/8" UNF x 2 3/4" |
| C07 | Standard | H | 60.030/60.000 | 79 | 218 | 188 | 60.5 | 64.6 | 18 | M20 x 2.5 x 80 |
| | Reduced Dia | Z | 50.030/50.000 | 79 | 218 | 191 | 50.5 | 54 | 14 | M16 x 2.0, x 70 |
| | Inch | A | 2.0010"/2.0000" | 3.11" | 8.58" | 7.41" | 2.02" | 2.23" | 0.50" | 5/8" UNF x 3" |
| C08 | Standard | H | 70.030/70.000 | 90 | 250 | 220 | 70.5 | 75.1 | 20 | M20 x 2.5 x 80 |
| | Reduced Dia | Z | 60.030/60.000 | 90 | 250 | 220 | 60.5 | 64.6 | 18 | M20 x 2.5 x 80 |
| | Inch | A | 2.3760"/2.3750" | 3.54" | 9.84" | 8.68" | 2.40" | 2.66" | 0.625" | 3/4" UNF x 3" |
| C09 | Standard | H | 90.035/90.000 | 107.5 | 300 | 265 | 90.5 | 95.6 | 25 | M24 x 3.0 x 110 |
| | Reduced Dia | Z | 70.030/70.000 | 107.5 | 300 | 270 | 70.5 | 75.1 | 20 | M20 x 2.5, x100 |
| | Inch | A | 2.7510"/2.7500" | 4.23" | 11.82" | 10.65" | 2.76" | 3.04" | 0.625" | 3/4" UNF x 4 1/4" |
| C10 | Standard | H | 100.035/100.000 | 132.5 | 350 | 313 | 100.5 | 106.6 | 28 | M24 x 3.0 x 110 |
| | Reduced Dia | Z | 80.030/80.000 | 132.5 | 350 | 313 | 80.5 | 85.6 | 22 | M20 x 2.5 x 100 |
| | Inch | A | 3.2510"/3.2500" | 5.22" | 13.78" | 12.32" | 3.26" | 3.59" | 0.75" | 1" UNF x 4 1/4" |

SERIES C MOTOR ADAPTERS IEC AND NEMA

Double Reduction Units

Compact Motor - Column 12 Entry - D

| Power | C0321 | | C0421 | | C0521 | | C0621 | | C0721 | | C0821 | |
|---------|------------------------|------------------|------------------------|------------------|------------------------|------------------------|------------------------|------------------|------------------------|------------------|------------------------|------------------------|
| | 8.0 - 28. 36. - 40. | 32. 45. - 250 | 8.0 - 28. 36. - 40. | 32. 45. - 250 | 8.0 - 40. 56. - 63. | 45. - 50. 71. - 250 | 8.0 - 28. 36. - 40. | 32. 45. - 250 | 8.0 - 28. 36. - 40. | 32. 45. - 250 | 8.0 - 40. 56. - 63. | 45. - 50. 71. - 250 |
| 0.25 kW | • | • | • | • | • | • | • | • | • | • | • | • |
| 0.37 kW | • | • | • | • | • | • | • | • | • | • | • | • |
| 0.55 kW | • | • | • | • | • | • | • | • | • | • | • | • |
| 0.75 kW | • | • | • | • | • | • | • | • | • | • | • | • |
| 1.1 kW | • | • | • | • | • | • | • | • | • | • | • | • |
| 1.5 kW | • | • | • | • | • | • | • | • | • | • | • | • |
| 2.2 kW | • | • | • | • | • | • | • | • | • | • | • | • |
| 3.0 kW | • | • | • | • | • | • | • | • | • | • | • | • |
| 4.0 kW | • | • | • | • | • | • | • | • | • | • | • | • |
| 5.5 kW | • | • | • | • | • | • | • | • | • | • | • | • |
| 7.5 kW | • | • | • | • | • | • | • | • | • | • | • | • |

Standard Motor IEC Flanges B14 - Column 12 Entry

| Motor | C0321 | | C0421 | | C0521 | | C0621 | | C0721 | |
|-------|------------------------|------------------|------------------------|------------------|------------------------|------------------------|------------------------|------------------|------------------------|------------------|
| | 8.0 - 28. 36. - 40. | 32. 45. - 250 | 8.0 - 28. 36. - 40. | 32. 45. - 250 | 8.0 - 40. 56. - 63. | 45. - 50. 71. - 250 | 8.0 - 28. 36. - 40. | 32. 45. - 250 | 8.0 - 28. 36. - 40. | 32. 45. - 250 |
| 71 | H | H | H | H | • | H | • | • | • | • |
| 80 | B | K | B | K | B | K | • | G | • | G |
| 90 | D | R | D | R | D | R | Z | J | • | J |
| 100 | F | S | F | S | F | S | B | L | B | L |
| 112 | F | S | F | S | F | S | B | L | B | L |
| 132 | • | • | • | • | • | • | • | • | D | Z |

Standard Motor IEC Flanges B5 - Column 12 Entry

| Motor | C0321 | | C0421 | | C0521 | | C0621 | | C0721 | | C0821 | | C0921 | | C1021 | |
|-------|------------------------|------------------|------------------------|------------------|------------------------|------------------------|------------------------|------------------|------------------------|------------------|------------------------|------------------------|------------------------|------------------------|------------------------|------------------------|
| | 8.0 - 28. 36. - 40. | 32. 45. - 250 | 8.0 - 28. 36. - 40. | 32. 45. - 250 | 8.0 - 40. 56. - 63. | 45. - 50. 71. - 250 | 8.0 - 28. 36. - 40. | 32. 45. - 250 | 8.0 - 28. 36. - 40. | 32. 45. - 250 | 8.0 - 40. 56. - 63. | 45. - 50. 71. - 250 | 8.0 - 40. 56. - 63. | 45. - 50. 71. - 250 | 8.0 - 40. 56. - 63. | 45. - 50. 71. - 250 |
| 63 | F | F | F | F | • | F | • | V | • | • | • | • | • | • | • | |
| 71 | G | G | G | G | • | G | • | D | • | • | • | • | • | • | • | |
| 80 | A | J | A | J | A | J | W | F | • | F | • | D | • | F | • | |
| 90 | C | Q | C | Q | C | Q | Y | H | • | H | • | F | • | F | • | |
| 100 | • | • | • | • | • | • | A | K | A | K | A | F | • | G | • | |
| 112 | • | • | • | • | • | • | A | K | A | K | A | F | • | G | • | |
| 132 | • | • | • | • | • | • | N | P | C | M | B | G | • | H | • | |
| 160 | • | • | • | • | • | • | • | • | E | P | C | H | A | J | A | |
| 180 | • | • | • | • | • | • | • | • | • | • | • | • | B | K | B | |
| 200 | • | • | • | • | • | • | • | • | • | • | • | • | C | L | C | |
| 225 | • | • | • | • | • | • | • | • | • | • | • | • | D | M | D | |

NEMA Motor C Face - Column 12 Entry

| Motor | C0321 | | C0421 | | C0521 | | C0621 | | C0721 | | C0821 | | C0921 | | C1021 | |
|-----------|------------------------|------------------|------------------------|------------------|------------------------|------------------------|------------------------|------------------|------------------------|------------------|------------------------|------------------------|------------------------|------------------------|------------------------|------------------------|
| | 8.0 - 28. 36. - 40. | 32. 45. - 250 | 8.0 - 28. 36. - 40. | 32. 45. - 250 | 8.0 - 40. 56. - 63. | 45. - 50. 71. - 250 | 8.0 - 28. 36. - 40. | 32. 45. - 250 | 8.0 - 28. 36. - 40. | 32. 45. - 250 | 8.0 - 40. 56. - 63. | 45. - 50. 71. - 250 | 8.0 - 40. 56. - 63. | 45. - 50. 71. - 250 | 8.0 - 40. 56. - 63. | 45. - 50. 71. - 250 |
| 56c | T | U | T | U | T | U | • | Q | • | Q | • | M | • | • | • | |
| 143/145TC | V | W | V | W | V | W | • | R | • | R | • | N | • | • | • | |
| 182/184TC | X | • | X | • | X | • | S | T | S | T | J | P | • | S | • | |
| 213/215TC | • | • | • | • | • | • | U | • | U | V | K | Q | • | T | Q | |
| 254/256TC | • | • | • | • | • | • | • | • | W | • | L | U | P | U | R | |
| 284/286TC | • | • | • | • | • | • | • | • | • | • | • | • | Q | V | S | |
| 324/326TC | • | • | • | • | • | • | • | • | • | • | • | • | R | W | T | |

SERIES C

MOTOR ADAPTERS

IEC AND NEMA

Triple Reduction Units

Compact Motor - Column 12 Entry - D

| Power | C0331 | | C0431 | | C0531 | | C0631 | | C0731 | |
|---------|-----------|------------------------|-----------|------------------------|-----------|------------------------|------------------------|------------------------|-----------|------------------------|
| | 132 - 150 | 100 - 118 160 - 900 | 132 - 150 | 100 - 118 160 - 900 | 132 - 150 | 100 - 118 160 - 900 | 100 - 150 200 - 225 | 160 - 180 265 - 900 | 132 - 150 | 100 - 118 160 - 900 |
| 0.25 kW | • | • | • | • | • | • | - | • | - | - |
| 0.37 kW | • | • | • | • | • | • | - | • | - | - |
| 0.55 kW | • | • | • | • | • | • | • | • | - | • |
| 0.75 kW | • | • | • | • | • | • | • | • | - | • |
| 1.1 kW | • | - | • | - | • | - | • | - | • | • |
| 1.5 kW | • | - | • | - | • | - | • | - | • | • |
| 2.2 kW | - | - | - | - | - | - | - | - | • | • |
| 3.0 kW | - | - | - | - | - | - | - | - | • | • |
| 4.0 kW | - | - | - | - | - | - | - | - | • | - |
| 5.5 kW | - | - | - | - | - | - | - | - | • | - |
| 7.5 kW | - | - | - | - | - | - | - | - | - | - |

Standard Motor IEC Flanges B14 - Column 12 Entry

| Motor | C0331 | | C0431 | | C0531 | | C0631 | | C0731 | |
|-------|-----------|------------------------|-----------|------------------------|-----------|------------------------|------------------------|------------------------|-----------|------------------------|
| | 132 - 150 | 100 - 118 160 - 900 | 132 - 150 | 100 - 118 160 - 900 | 132 - 150 | 100 - 118 160 - 900 | 100 - 150 200 - 225 | 160 - 180 265 - 900 | 132 - 150 | 100 - 118 160 - 900 |
| 71 | H | H | H | H | H | H | - | H | - | - |
| 80 | B | K | B | K | B | K | B | K | - | G |
| 90 | D | R | D | R | D | R | D | R | Z | J |
| 100 | E | S | E | S | E | S | E | S | B | L |
| 112 | - | - | - | - | - | - | - | - | B | L |

Standard Motor IEC Flanges B5 - Column 12 Entry

| Motor | C0331 | | C0431 | | C0531 | | C0631 | | C0731 | |
|-------|-----------|------------------------|-----------|------------------------|-----------|------------------------|------------------------|------------------------|-----------|------------------------|
| | 132 - 150 | 100 - 118 160 - 900 | 132 - 150 | 100 - 118 160 - 900 | 132 - 150 | 100 - 118 160 - 900 | 100 - 150 200 - 225 | 160 - 180 265 - 900 | 132 - 150 | 100 - 118 160 - 900 |
| 63 | F | F | F | F | F | F | - | F | - | V |
| 71 | G | G | G | G | G | G | - | G | - | D |
| 80 | A | J | A | J | A | J | A | J | W | F |
| 90 | C | Q | C | Q | C | Q | C | Q | Y | H |
| 100 | - | - | - | - | - | - | - | - | A | K |
| 112 | - | - | - | - | - | - | - | - | A | K |
| 132 | - | - | - | - | - | - | - | - | N | P |

NEMA Motor C Face - Column 12 Entry

| Motor | C0331 | | C0431 | | C0531 | | C0631 | | C0731 | |
|-----------|-----------|------------------------|-----------|------------------------|-----------|------------------------|------------------------|------------------------|-----------|------------------------|
| | 132 - 150 | 100 - 118 160 - 900 | 132 - 150 | 100 - 118 160 - 900 | 132 - 150 | 100 - 118 160 - 900 | 100 - 150 200 - 225 | 160 - 180 265 - 900 | 132 - 150 | 100 - 118 160 - 900 |
| 56c | T | U | T | U | T | U | T | U | - | Q |
| 143/145TC | V | W | V | W | V | W | V | W | - | R |
| 182/184TC | X | - | X | - | X | - | X | - | S | T |
| 213/215TC | - | - | - | - | - | - | - | - | U | - |

SERIES C

MOTOR ADAPTERS

IEC AND NEMA

Quadruple Reduction Units

Compact Motor - Column 12 Entry - D

| Power | C0341 | C0441 | C0541 | C0641 | C0741 | C0841 | | C0941 | | C1041 | |
|---------|------------|------------|------------|------------|------------|-------|-------|-------|-------|-------|-------|
| | All Ratios | All Ratios | All Ratios | All Ratios | All Ratios | 500 | 560 + | 500 | 560 + | 450 | 560 + |
| 0.25 kW | • | • | • | • | • | - | - | - | - | - | - |
| 0.37 kW | • | • | • | • | • | - | - | - | - | - | - |
| 0.55 kW | • | • | • | • | • | - | • | - | • | - | - |
| 0.75 kW | • | • | • | • | • | - | - | - | • | - | - |
| 1.1 kW | - | - | - | - | - | • | • | • | • | - | • |
| 1.5 kW | - | - | - | - | - | • | • | • | • | - | • |
| 2.2 kW | - | - | - | - | - | • | • | • | • | - | • |
| 3.0 kW | - | - | - | - | - | • | • | • | • | - | • |
| 4.0 kW | - | - | - | - | - | • | - | • | - | - | • |
| 5.5 kW | - | - | - | - | - | • | - | • | - | - | • |
| 7.5 kW | - | - | - | - | - | - | - | - | - | - | • |

Standard Motor IEC Flanges B14 - Column 12 Entry

| Motor | C0341 | C0441 | C0541 | C0641 | C0741 | C0841 | | C0941 | | C1041 | |
|-------|------------|------------|------------|------------|------------|-------|-------|-------|-------|-------|-------|
| | All Ratios | All Ratios | All Ratios | All Ratios | All Ratios | 500 | 560 + | 500 | 560 + | 450 | 560 + |
| 71 | H | H | H | H | H | - | - | - | - | - | - |
| 80 | K | K | K | K | K | - | G | - | G | - | G |
| 90 | R | R | R | R | R | Z | J | Z | J | - | J |
| 100 | S | S | S | S | S | B | L | B | L | B | L |
| 112 | - | - | - | - | - | B | L | B | L | B | L |
| 132 | - | - | - | - | - | - | - | - | - | D | N |

Standard Motor IEC Flanges B5 - Column 12 Entry

| Motor | C0341 | C0441 | C0541 | C0641 | C0741 | C0841 | | C0941 | | C1041 | |
|-------|------------|------------|------------|------------|------------|-------|-------|-------|-------|-------|------|
| | All Ratios | All Ratios | All Ratios | All Ratios | All Ratios | 500 | 560 + | 500 | 560 + | 450 | 560+ |
| 63 | F | F | F | F | F | - | V | - | V | - | - |
| 71 | G | G | G | G | G | - | D | - | D | - | - |
| 80 | J | J | J | J | J | W | F | W | F | - | F |
| 90 | Q | Q | Q | Q | Q | Y | H | Y | H | - | H |
| 100 | - | - | - | - | - | A | K | A | K | A | K |
| 112 | - | - | - | - | - | A | K | A | K | K | K |
| 132 | - | - | - | - | - | N | P | N | P | C | M |
| 160 | - | - | - | - | - | - | - | - | - | E | - |

NEMA Motor C Face - Column 12 Entry

| Motor | C0341 | C0441 | C0541 | C0641 | C0741 | C0841 | | C0941 | | C1041 | |
|-----------|------------|------------|------------|------------|------------|-------|-------|-------|-------|-------|-------|
| | All Ratios | All Ratios | All Ratios | All Ratios | All Ratios | 500 | 560 + | 500 | 560 + | 450 | 560 + |
| 56c | U | U | U | U | U | - | Q | - | Q | - | Q |
| 143/145TC | W | W | W | W | W | - | R | - | R | - | R |
| 182/184TC | - | - | - | - | - | S | T | S | T | S | T |
| 213/215TC | - | - | - | - | - | U | - | U | - | U | V |

SERIES C

LUBRICATION

Lubricant and Quantity

Unit sizes C03, 04, 05 and 06 are factory filled with a grade 6G lubricant.

Unit sizes C07, 08, 09 and 10 will be despatched without oil.

The oil grade is stamped on the name plate and the oil level should be established by filling until the oil escapes via the level plug,

The grade and level are determined from the operating speed of the gear unit and the ambient temperature range, which if not given when ordering will be assumed to be 1450 rev / min input and ambient temperature range 0 to 35°C. Oil grades and oil level should always be checked before installation, Consult the Installation and Maintenance instructions provided with the gear unit.

To determine the oil grade refer to table 1, and then refer to the Installation and Maintenance instructions to select an approved lubricant

To determine the oil capacity refer to appropriate table 2 or 3. Oil capacities are only approximate and units should be filled until oil escapes from the level plug holes. Do not overfill as excess will cause overheating and leakage.

Always fill with correct lubricant as marked on the nameplate. Never mix lubricant grades.

See Installation and Maintenance instructions for for lists of approved lubricants within the grades.

If not stated with the order these are the operating conditions that will be assumed

Note: Catalogue ratings are based on Polyglycol Synthetic lubricant
Use with mineral or alternative lubricants may require a derate, please contact our Application Engineers.

Table 1 Series C oil grades

| Gear unit details | | | Ambient temperature range | | |
|-------------------|-------------------|-----------------------|---------------------------|------------|-------------|
| Type | Gear unit details | Input Speed (Rev/min) | -30°C - 20°C | 0°C - 35°C | 20°C - 50°C |
| Doubles | Ratio 8 - 18 | 0 - 750 | 6G | 6G | 8G |
| | | 0>750 - 2000 | 5G | 6G | 7G |
| | | >2000 - 3000 | 4G | 6G | 6G |
| | 20 - 36 | 0 - 2000 | 6G | 6G | 8G |
| | | >2000 - 3000 | 5G | 6G | 7G |
| | | 40 - 250 | 6G | 6G | 8G |
| Quadruples | < - 2800 | 0 - 750 | 6G | 7G | 9G |
| | | >750 - 3000 | 6G | 6G | 8G |
| | 3200 - 16000 | 0 - 3000 | 6G | 7G | 9G |

* For other ambient temperatures please refer to our Application Engineers.

Table 2 lubricant quantity (Litres) (double reduction and final stage quadruple reduction)

| Double, Triple & Final stage Quadruple Reduction | | | | | | | | | | | | | | | |
|--|---|-----------|-------|-------|-------|-------|-------|-------|-------|-------|-------|-------|-------|-------|----|
| Size | | C0321 | C0331 | C0421 | C0431 | C0521 | C0531 | C0621 | C0631 | C0721 | C0731 | C0821 | C0921 | C1021 | |
| Mounting position | 1 | Level 1 * | 0.3 | 0.4 | 0.4 | 0.5 | 0.7 | 0.9 | 1.5 | 2.1 | 4.5 | 4.8 | 7.1 | 17 | 28 |
| | | Level 2 * | | | | | | | | | 3.0 | 3.8 | 5.9 | 11 | 17 |
| | 2 | | 0.5 | 0.8 | 0.7 | 0.9 | 1.0 | 1.4 | 2.3 | 2.5 | 3.5 | 3.7 | 6.2 | 12 | 21 |
| | | | 0.5 | 0.8 | 0.7 | 0.9 | 1.0 | 1.4 | 2.2 | 2.5 | 3.5 | 3.7 | 6.2 | 12 | 21 |
| | 4 | Level 1 * | 0.7 | 1.2 | 1.0 | 1.5 | 1.4 | 2.1 | 3.1 | 4.0 | 5.1 | 5.9 | 9.5 | 17 | 26 |
| | | Level 2 * | | | | | | | | | 3.0 | 3.6 | 4.8 | 8.3 | 14 |
| | 5 | | 0.6 | 1.0 | 0.9 | 1.3 | 1.4 | 2.0 | 3.0 | 4.6 | 5.6 | 6.6 | 9.6 | 18 | 31 |
| | | | 0.7 | 1.2 | 1.0 | 1.5 | 1.4 | 1.9 | 3.2 | 4.0 | 7.4 | 9.2 | 12 | 25 | 42 |
| | 6 | Level 1 * | 0.7 | 1.2 | 1.0 | 1.5 | 1.4 | 1.9 | 3.2 | 4.0 | 5.1 | 6.9 | 9.5 | 17 | 28 |
| | | Level 2 * | | | | | | | | | | | | | |

* Use Level 1 for output speeds lower than 100 rpm

* Use Level 2 for output speeds of 100 rpm and higher.

Table 3 lubricant quantity (Litres) (primary stage quadruple reduction)

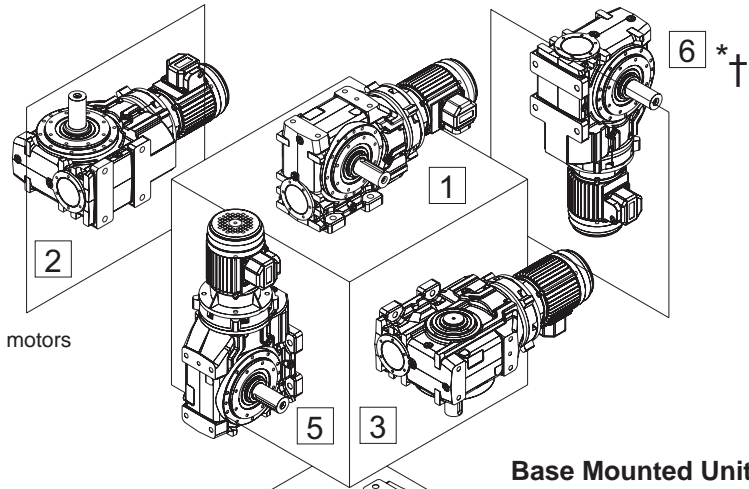
| Primary stage quadruple reduction | | | | | | | | | |
|--|--------|-------|-------|-------|-------|-------|-------|-------|-----|
| Size | C0341 | C0441 | C0541 | C0641 | C0741 | C0841 | C0941 | C1041 | |
| Secondary unit (Lubricant quantity see table 2) | C0321 | C0421 | C0521 | C0621 | C0721 | C0821 | C0921 | C1021 | |
| Primary unit | M0122 | M0122 | M0122 | M0322 | M0322 | M0522 | M0522 | M0722 | |
| Primary Quantity (unit lubricant) | 1 to 4 | 0.5 | 0.5 | 0.5 | 0.8 | 0.8 | 1.5 | 1.5 | 2.6 |
| | 5 & 6 | 1.0 | 1.0 | 1.0 | 1.4 | 1.4 | 2.6 | 2.6 | 4.7 |

• Unit filled with Grade 6E lubricant suitable for all ambient temperatures between 0°C to 35°C and are 'lubricated for life'

SERIES C

MOUNTING POSITIONS

Column 13 Entry

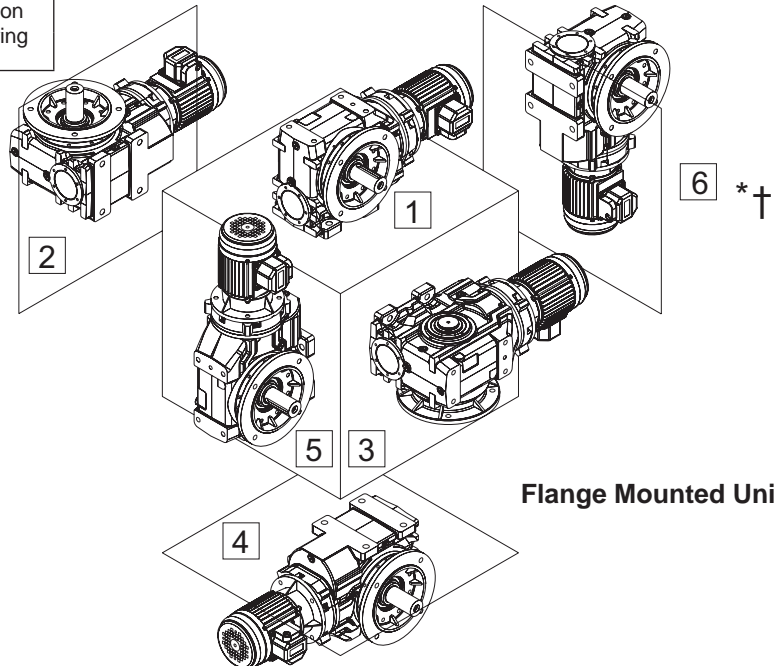
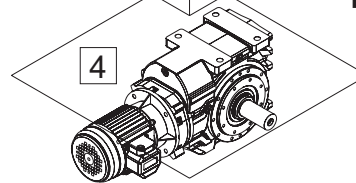


* Mounting Position 6 is not recommended for geared motors
- Consult Application Engineering

† Gear Units for use in mounting positions 5 and 6 should only be selected with overall ratios greater or equal to those shown in table below

Base Mounted Units

| Size | Input speed (RPM) | | | |
|---------|-------------------|------|------|---------------------------------|
| | 1000 | 1500 | 1800 | >1800 |
| C03-C08 | All | All | All | Consult application engineering |
| C09 | 18:1 | 18:1 | 25:1 | |
| C10 | 18:1 | 40:1 | 63:1 | |

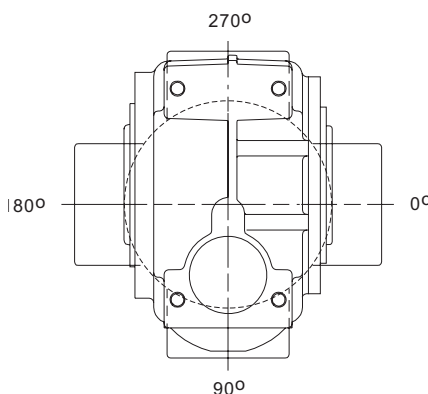


Flange Mounted Units

Mounting Positions- Shown as Motorised - Applies also for Reducers

COLUMN 14 ENTRY

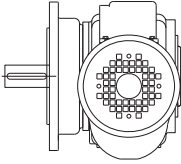
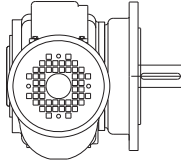
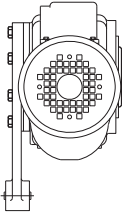
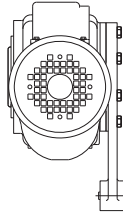
All motors

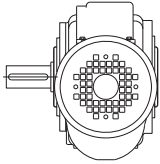
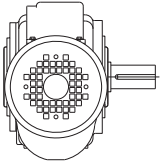
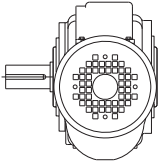
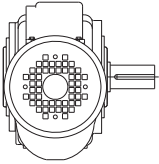
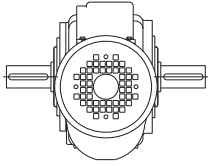
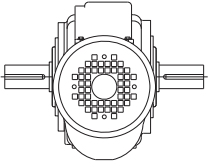
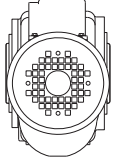
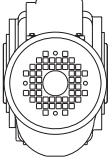


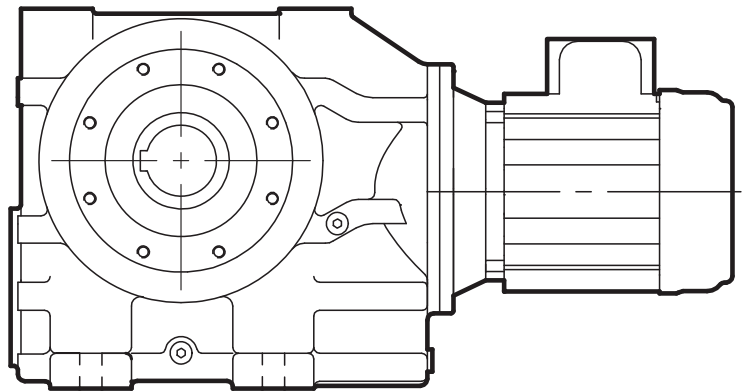
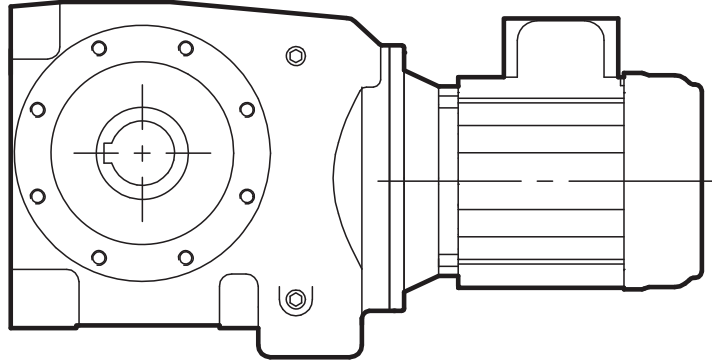
| Column 14 entry | Terminal box position |
|-----------------|----------------------------|
| A | 0° |
| B | 90° |
| C | 180° |
| D | 270° |
| - | Reducer or no motor fitted |

SERIES C

UNIT HANDINGS

| Column 9 entry | Left | Right |
|------------------------------|---|--|
| Std unit with foutput flange | F  | H  |
| Std unit with Torque bracket | T  | Q  |

| Column entry 11 | Metric | | Inch | |
|---------------------|--|--|--|--|
| | Left | Right | Left | Right |
| Single output shaft | C  | E  | N  | B  |
| Double output shaft | D  | | P  | |
| Hollow shaft | H  | | A  | |



MOTORISED
SERIES C

SERIES C

MOTOR PERFORMANCE DATA

TEFC Squirrel Cage 3 Phase Motors
4 poles = 1500 rpm 400V, 50Hz, S1
IP55, Class F
IE2 Efficiency Class

| P (kW) | Frame Size | n RPM | I (A) | Ist / I | Tst / T | J (kgm ²) |
|--------|------------|-------|-------|---------|---------|-----------------------|
| 0.12 | 63 | 1360 | 0.6 | 2.6 | 2.5 | 0.0004 |
| 0.18 | 63 | 1370 | 0.72 | 3.0 | 2.2 | 0.0005 |
| 0.25 | 71 | 1370 | 0.65 | 3.5 | 2.0 | 0.0007 |
| 0.37 | 71 | 1380 | 0.88 | 4.0 | 2.1 | 0.0009 |
| 0.55 | 80 | 1420 | 1.45 | 5.0 | 2.0 | 0.0015 |
| 0.75 | 80 | 1420 | 1.8 | 5.3 | 2.7 | 0.0020 |
| 1.1 | 90S | 1430 | 2.4 | 6.2 | 2.7 | 0.0045 |
| 1.5 | 90L | 1430 | 3.3 | 6.3 | 2.7 | 0.0053 |
| 2.2 | 100L | 1450 | 4.7 | 6.4 | 2.9 | 0.0085 |
| 3.0 | 100L | 1450 | 6.3 | 7.7 | 2.9 | 0.0110 |
| 4.0 | 112M | 1450 | 8.2 | 7.0 | 2.9 | 0.0125 |
| 5.5 | 132S | 1450 | 11.1 | 5.9 | 2.0 | 0.033 |
| 7.5 | 132M | 1450 | 14.8 | 5.6 | 2.0 | 0.036 |
| 11 | 160M | 1460 | 21 | 6.7 | 2.2 | 0.081 |
| 15 | 160L | 1460 | 28.5 | 7.1 | 2.6 | 0.099 |
| 18.5 | 180M | 1470 | 35 | 7.2 | 2.6 | 0.166 |
| 22 | 180L | 1470 | 41 | 7.3 | 2.6 | 0.195 |
| 30 | 200L | 1470 | 56 | 6.7 | 2.2 | 0.31 |
| 37 | 225S | 1470 | 68 | 7.1 | 2.6 | 0.36 |
| 45 | 225M | 1480 | 83 | 7.5 | 2.7 | 0.44 |
| 55 | 250M | 1480 | 98 | 7.5 | 2.6 | 0.77 |
| 75 | 280S | 1480 | 134 | 6.8 | 2.5 | 1.25 |
| 90.0 | 280M | 1480 | 160 | 7.1 | 2.5 | 1.50 |
| 110 | 315S | 1480 | 195 | 7.7 | 2.4 | 2.30 |
| 132 | 315M | 1480 | 232 | 7.2 | 2.4 | 2.60 |
| 160 | 315L | 1480 | 284 | 7.2 | 2.4 | 2.90 |

TEFC Squirrel Cage 3 Phase Motors
6 poles = 1000 rpm 400V, 50Hz, S1
IP55, Class F
IE2 Efficiency Class

| P (kW) | Frame Size | n RPM | I (A) | Ist / I | Tst / T | J (kgm ²) |
|--------|------------|-------|-------|---------|---------|-----------------------|
| 0.12 | 63 | 900 | 0.57 | 2.1 | 2.1 | 0.0007 |
| 0.18 | 71 | 900 | 0.6 | 3.1 | 2 | 0.0009 |
| 0.25 | 71 | 920 | 0.77 | 3.4 | 2.1 | 0.0011 |
| 0.37 | 80 | 920 | 1.09 | 3.6 | 2.2 | 0.0019 |
| 0.55 | 80 | 920 | 1.51 | 3.8 | 1.8 | 0.0024 |
| 0.75 | 90S | 930 | 2.36 | 4.5 | 1.8 | 0.005 |
| 1.1 | 90L | 930 | 3 | 4 | 2.3 | 0.006 |
| 1.5 | 100L | 940 | 3.8 | 4 | 1.9 | 0.009 |
| 2.2 | 112M | 940 | 5.5 | 4.5 | 1.7 | 0.0125 |
| 3 | 132S | 960 | 8 | 5.5 | 1.8 | 0.033 |
| 4 | 132M | 960 | 10 | 4.6 | 1.7 | 0.038 |
| 5.5 | 132M | 960 | 12.9 | 5.1 | 2 | 0.045 |
| 7.5 | 160M | 970 | 15.4 | 7.4 | 1.7 | 0.087 |
| 11 | 160L | 970 | 23 | 7.5 | 1.9 | 0.114 |
| 15 | 180L | 970 | 31 | 6.5 | 1.8 | 0.192 |
| 18.5 | 200L | 980 | 36 | 6.7 | 2.2 | 0.380 |
| 22 | 200L | 980 | 43 | 6.6 | 2.2 | 0.440 |
| 30 | 225M | 985 | 56 | 7 | 2.6 | 0.660 |
| 37 | 250M | 985 | 69 | 6.8 | 2.7 | 1.16 |
| 45 | 280S | 985 | 85 | 7 | 2.5 | 1.85 |
| 55 | 280M | 985 | 100 | 7 | 2.7 | 2.20 |
| 75 | 315S | 985 | 139 | 7.4 | 2.4 | 3.20 |
| 90 | 315M | 985 | 163 | 7.5 | 2.4 | 4.10 |
| 110 | 315L | 985 | 201 | 7.4 | 2.5 | 4.90 |
| 132 | 315L | 985 | 240 | 7.5 | 2.7 | 5.60 |

Key

I = Nominal current Ist/I = Starting current factor Tst/T = Starting torque factor J = Motor moment of inertia
P = Rated output power n = Motor speed T = Rated output torque

Recalculation Factors Fv

Recalculation factors for current at rated voltages other than 400V, 50 Hz.

| 50 Hz | Fv |
|-------|------|
| 220V | 1.82 |
| 230V | 1.74 |
| 415V | 0.96 |
| 500V | 0.80 |
| 660V | 0.61 |
| 690V | 0.58 |

60 Hz Operation

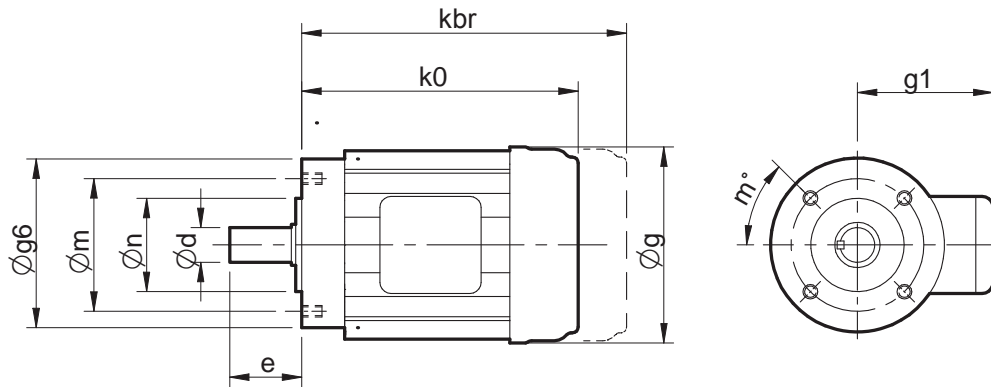
Motors wound for a certain voltage at 50 Hz can be operated at 60 Hz, without any modifications, subject to the following changes in their data

| 60 Hz | P (kW) | n RPM | I (A) | Ist (I) | T (Nm) | Tst (T) |
|-------------|--------|-------|-------|---------|--------|---------|
| 380V | 100% | 120% | 100% | 80% | 83% | 66% |
| 400V | 100% | 120% | 98% | 83% | 83% | 70% |
| 415V | 105% | 120% | 100% | 8%8 | 86% | 78% |
| 440V | 110% | 120% | 100% | 95% | 91% | 85% |
| 460V | 115% | 120% | 100% | 100% | 96% | 95% |
| 480V | 120% | 120% | 100% | 105% | 100% | 100% |

SERIES C

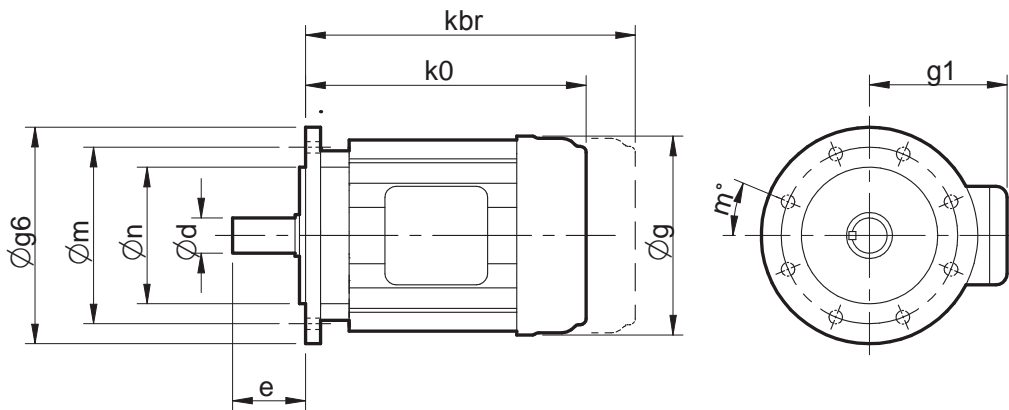
MOTOR DETAILS

B14 'C' face



| Size | Øg6 | Øm | Øn | Ød | e | ko | kbr | Øg | g1 | m | Øs |
|------|-----|-----|-----|----|----|-----|-----|-----|-----|--------|-------|
| 71 | 105 | 85 | 70 | 14 | 30 | 220 | 270 | 140 | 105 | 45 deg | 4xM6 |
| 80 | 120 | 100 | 80 | 19 | 40 | 240 | 290 | 158 | 122 | 45 deg | 4xM6 |
| 90S | 140 | 115 | 95 | 24 | 50 | 260 | 310 | 180 | 129 | 45 deg | 4xM8 |
| 90L | 140 | 115 | 95 | 24 | 50 | 280 | 330 | 180 | 129 | 45 deg | 4xM8 |
| 100L | 160 | 130 | 110 | 28 | 60 | 310 | 375 | 198 | 152 | 45 deg | 4xM8 |
| 112M | 160 | 130 | 110 | 28 | 60 | 330 | 405 | 222 | 165 | 45 deg | 4xM8 |
| 132S | 200 | 165 | 130 | 38 | 80 | 380 | 475 | 260 | 185 | 45 deg | 4xM10 |
| 132M | 200 | 165 | 130 | 38 | 80 | 420 | 505 | 260 | 185 | 45 deg | 4xM10 |

B5 'D' face



| Size | Øg6 | Øm | Øn | Ød | e | ko | kbr | Øg | g1 | m | Øs |
|------|-----|-----|-----|----|-----|------|-----|-----|-----|----------|-------|
| 63 | 140 | 115 | 95 | 11 | 23 | 195 | 260 | 125 | 100 | 45 deg | 4xM8 |
| 71 | 160 | 130 | 110 | 14 | 30 | 220 | 270 | 140 | 105 | 45 deg | 4xM8 |
| 80 | 200 | 165 | 130 | 19 | 40 | 240 | 290 | 158 | 122 | 45 deg | 4xM10 |
| 90S | 200 | 165 | 130 | 24 | 50 | 260 | 310 | 180 | 129 | 45 deg | 4xM10 |
| 90L | 200 | 165 | 130 | 24 | 50 | 280 | 330 | 180 | 129 | 45 deg | 4xM10 |
| 100L | 250 | 215 | 180 | 28 | 60 | 310 | 375 | 198 | 152 | 45 deg | 4xM12 |
| 112M | 250 | 215 | 180 | 28 | 60 | 330 | 405 | 222 | 165 | 45 deg | 4xM12 |
| 132S | 300 | 265 | 230 | 38 | 80 | 380 | 475 | 260 | 185 | 45 deg | 4xM12 |
| 132M | 300 | 265 | 230 | 38 | 80 | 420 | 505 | 260 | 185 | 45 deg | 4xM12 |
| 160M | 350 | 300 | 250 | 42 | 110 | 480 | 565 | 320 | 264 | 45 deg | 4xM16 |
| 160L | 350 | 300 | 250 | 42 | 110 | 530 | 615 | 320 | 264 | 45 deg | 4xM16 |
| 180M | 350 | 300 | 250 | 48 | 110 | 560 | - | 360 | 279 | 45 deg | 4xM16 |
| 180L | 350 | 300 | 250 | 48 | 110 | 595 | - | 360 | 279 | 45 deg | 4xM16 |
| 200L | 400 | 350 | 300 | 55 | 110 | 660 | - | 400 | 317 | 45 deg | 4xM16 |
| 225S | 450 | 400 | 350 | 60 | 140 | 680 | - | 450 | 385 | 22.5 deg | 8xM16 |
| 225M | 450 | 400 | 350 | 60 | 140 | 715 | - | 450 | 385 | 22.5 deg | 8xM16 |
| 250M | 550 | 500 | 450 | 65 | 140 | 770 | - | 500 | 405 | 22.5 deg | 8xM16 |
| 280S | 550 | 500 | 450 | 75 | 140 | 850 | - | 560 | 480 | 22.5 deg | 8xM16 |
| 280M | 550 | 500 | 450 | 75 | 140 | 930 | - | 560 | 480 | 22.5 deg | 8xM16 |
| 315S | 660 | 600 | 550 | 80 | 170 | 1100 | - | 630 | 530 | 22.5 deg | 8xM20 |
| 315M | 660 | 600 | 550 | 80 | 170 | 1260 | - | 630 | 530 | 22.5 deg | 8xM20 |
| 315L | 660 | 600 | 550 | 80 | 170 | 1400 | - | 630 | 530 | 22.5 deg | 8xM20 |

SERIES C

ADDITIONAL MOTOR FEATURES

Additional Motor Features- Column 19 Entry

| Column 19 Entry | Brake Motor | Hand Release on Brake | Forced Ventilation/ Constant Blower (TECB) | Thermistors | Special |
|-----------------|-------------|-----------------------|--|-------------|---------|
| - | | | | | |
| A | • | | | | |
| B | • | • | | | |
| C | | | • | | |
| D | • | | • | | |
| E | • | • | • | | |
| F | | | | • | |
| G | • | | | • | |
| H | • | • | | • | |
| K | | | • | • | |
| L | • | | • | • | |
| M | • | • | • | • | |
| S | | | | | • |

Please refer to Application Engineering for details of the following additional motor features

- PGF encoder flange
- Wash down
- Customised brake torque
- Separate brake supply
- Aluminium fan
- Anti Condensation heater
- Bi-metal temperature detectors, Thermostat
- EExEII T3
- Ex nA II T3
- IP56
- IP65
- Metal fan cover
- Rain cowl
- Separate terminal box

SERIES C

ADDITIONAL GEARBOX FEATURES

Additional motor features- Column 20 entry

| Colum 20 entry | Double Oil Seals on Output Shaft | Oil Level Glass C07- C10 | * Motorised Backstop | | Special |
|----------------|----------------------------------|--------------------------|----------------------|--------------|---------|
| | | | CW Rotation | CCW Rotation | |
| - | | | | | |
| A | • | | | | |
| B | | • | | | |
| C | • | • | | | |
| D | | | • | | |
| E | • | | • | | |
| F | | • | • | | |
| G | • | • | • | | |
| H | | | | • | |
| I | • | | | • | |
| J | | • | | • | |
| K | • | • | | • | |
| L | | | | | • |

Please refer to our Application Engineers for details of the following additional gearbox features

- Prime paint only
- Wash down
- BISSC compatible
- Special oil (food compatible, bio-degradable, different viscosities etc)

* IEC B5 frame sizes 100 - 200 and NEMA frame sizes 182TC -326TC

SERIES C

SELECTION TABLE

GEARED MOTORS

0.12 kW
4 POLE

| N2 RPM | i | M2 Nm | Fm | N | Unit Designation | kg | |
|--------------|--------|---------------|----------------|---------------|--|---------------------------|------------|
| Output Speed | Ratio | Output Torque | Service Factor | Overhung Load | Column Entry 1 - 20 Spaces to be filled when entering order | Weight of Base Mount unit | Motor Size |
| 158 | 8.59 | 6 | 13.44 | 2860 | C 0 3 2 1 8 . 0 _ M _ _ _ . 1 2 A - - | 14.5 | 63 |
| 117 | 11.61 | 8 | 10.86 | 2860 | 1 1 . | | |
| 103 | 13.20 | 9 | 9.93 | 2860 | 1 2 . | | |
| 91 | 14.95 | 10 | 9.07 | 2860 | 1 4 . | | |
| 83 | 16.36 | 10 | 8.68 | 2860 | 1 6 . | | |
| 71 | 19.12 | 13 | 7.61 | 2860 | 1 8 . | | |
| 66 | 20.61 | 14 | 7.21 | 2860 | 2 0 . | | |
| 62 | 22.11 | 13 | 7.10 | 2860 | 2 2 . | | |
| 54 | 25.14 | 15 | 6.50 | 2860 | 2 5 . | | |
| 48 | 28.48 | 16 | 5.98 | 2860 | 2 8 . | | |
| 40 | 33.71 | 22 | 5.03 | 2850 | 3 2 . | | |
| 37 | 36.43 | 21 | 5.04 | 2850 | 3 6 . | | |
| 35 | 39.26 | 22 | 4.80 | 2850 | 4 0 . | | |
| 30 | 45.50 | 30 | 4.05 | 2850 | 4 5 . | | |
| 26 | 53.31 | 35 | 3.63 | 2840 | 5 0 . | | |
| 24 | 56.19 | 32 | 3.74 | 2850 | 5 6 . | | |
| 21 | 64.21 | 36 | 3.42 | 2840 | 6 3 . | | |
| 18 | 74.55 | 48 | 2.98 | 2840 | 7 1 . | | |
| 16 | 82.83 | 53 | 2.76 | 2830 | 8 0 . | | |
| 16 | 86.67 | 48 | 2.89 | 2840 | 9 0 . | | |
| 13 | 101.54 | 55 | 2.57 | 2830 | 1 0 0 | | |
| 12 | 114.33 | 72 | 1.78 | 2820 | 1 1 2 | | |
| 10 | 129.94 | 82 | 1.54 | 2820 | 1 2 5 | | |
| 10 | 142.00 | 75 | 1.96 | 2820 | 1 4 0 | | |
| 8.6 | 157.78 | 83 | 1.78 | 2820 | 1 6 0 | | |
| 6.2 | 217.78 | 113 | 1.31 | 2800 | 2 1 2 | | |
| 5.5 | 247.50 | 127 | 1.16 | 2800 | 2 5 0 | | |
| 13.0 | 105.36 | 65 | 2.26 | 2830 | C 0 3 3 1 1 0 0 _ M _ _ _ . 1 2 A - - | 17.5 | 63 |
| 11 | 120.39 | 75 | 1.99 | 2820 | 1 1 8 | | |
| 10 | 130.10 | 68 | 2.16 | 2830 | 1 3 2 | | |
| 10 | 140.21 | 73 | 2.03 | 2820 | 1 5 0 | | |
| 8.4 | 162.50 | 100 | 1.49 | 2810 | 1 6 0 | | |
| 7.1 | 190.38 | 116 | 1.27 | 2800 | 1 8 0 | | |
| 6.8 | 200.68 | 103 | 1.45 | 2810 | 2 0 0 | | |
| 5.9 | 229.32 | 116 | 1.27 | 2800 | 2 2 5 | | |
| 5.1 | 266.25 | 161 | 0.92 | 2780 | 2 6 5 | | |
| 4.6 | 295.83 | 178 | 0.84 | 2770 | 2 8 0 | | |
| 4.4 | 309.52 | 154 | 0.96 | 2780 | 3 1 5 | | |
| 3.8 | 362.64 | 179 | 0.83 | 2770 | 3 6 0 | | |
| 16 | 82.83 | 53 | 3.56 | 5290 | C 0 4 2 1 8 0 . _ M _ _ _ . 1 2 A - - | 16.5 | 63 |
| 12 | 114.33 | 72 | 1.78 | 5290 | 1 1 2 | | |
| 10 | 129.94 | 83 | 1.54 | 5290 | 1 2 5 | | |
| 10 | 142.00 | 77 | 3.25 | 5290 | 1 4 0 | | |
| 8.6 | 157.78 | 85 | 3.01 | 5290 | 1 6 0 | | |
| 6.2 | 217.78 | 115 | 1.78 | 5290 | 2 1 2 | | |
| 5.5 | 247.50 | 130 | 1.54 | 5280 | 2 5 0 | | |
| 13 | 105.36 | 67 | 3.04 | 5290 | C 0 4 3 1 1 0 0 _ M _ _ _ . 1 2 A - - | 20.5 | 63 |
| 11 | 120.39 | 76 | 2.66 | 5290 | 1 1 8 | | |
| 10 | 130.10 | 70 | 3.40 | 5290 | 1 3 2 | | |
| 10 | 140.21 | 75 | 3.25 | 5290 | 1 5 0 | | |
| 8.4 | 162.50 | 102 | 1.97 | 5290 | 1 6 0 | | |
| 7.1 | 190.38 | 118 | 1.69 | 5290 | 1 8 0 | | |
| 6.8 | 200.68 | 105 | 2.61 | 5290 | 2 0 0 | | |
| 5.9 | 229.32 | 120 | 2.31 | 5290 | 2 2 5 | | |
| 5.1 | 266.25 | 164 | 1.20 | 5270 | 2 6 5 | | |
| 4.6 | 295.83 | 181 | 1.09 | 5270 | 2 8 0 | | |
| 4.4 | 309.52 | 159 | 1.74 | 5280 | 3 1 5 | | |
| 3.8 | 362.64 | 185 | 1.50 | 5270 | 3 6 0 | | |
| 2.7 | 507.14 | 254 | 1.09 | 5240 | 5 0 0 | | |
| 5.7 | 240.00 | 131 | 3.67 | 7440 | C 0 5 2 1 2 5 0 _ M _ _ _ . 1 2 A - - | 18.5 | 63 |
| 8.5 | 160.26 | 103 | 3.82 | 7440 | C 0 5 3 1 1 6 0 _ M _ _ _ . 1 2 A - - | 21.5 | 63 |
| 7.2 | 187.76 | 120 | 3.27 | 7440 | 1 8 0 | | |
| 5.9 | 229.81 | 125 | 3.85 | 7440 | 2 2 5 | | |
| 5.2 | 262.58 | 165 | 2.34 | 7440 | 2 6 5 | | |
| 4.7 | 291.75 | 183 | 2.11 | 7440 | 2 8 0 | | |
| 4.4 | 310.18 | 165 | 2.91 | 7440 | 3 1 5 | | |
| 3.7 | 363.40 | 192 | 2.50 | 7440 | 3 6 0 | | |
| 3.4 | 402.70 | 251 | 1.53 | 7440 | 4 0 0 | | |
| 3.0 | 457.66 | 285 | 1.34 | 7440 | 4 5 0 | | |
| 2.7 | 508.21 | 264 | 1.82 | 7440 | 5 0 0 | | |
| 2.4 | 564.68 | 292 | 1.65 | 7440 | 5 6 0 | | |
| 1.7 | 779.42 | 397 | 1.21 | 7430 | 8 0 0 | | |
| 1.5 | 885.79 | 450 | 1.07 | 7420 | 9 0 0 | | |
| 4.5 | 299.67 | 200 | 3.83 | 11800 | C 0 6 3 1 2 8 0 _ M _ _ _ . 1 2 A - - | 37.5 | 63 |
| 3.8 | 357.32 | 200 | 3.83 | 11900 | 3 6 0 | | |
| 3.4 | 395.39 | 262 | 2.92 | 11800 | 4 0 0 | | |
| 3.0 | 449.50 | 296 | 2.59 | 11800 | 4 5 0 | | |
| 2.6 | 514.75 | 281 | 2.72 | 11800 | 5 0 0 | | |
| 2.3 | 580.00 | 315 | 2.43 | 11800 | 5 6 0 | | |
| 1.8 | 765.28 | 410 | 1.87 | 11700 | 8 0 0 | | |
| 1.6 | 870.00 | 462 | 1.66 | 11700 | 9 0 0 | | |

NOTE:
Other output speeds are available using 2 & 8 pole motors. Please contact our Application Engineers

SERIES C SELECTION TABLE GEARED MOTORS

0.12 kW

4 POLE

| N2 RPM | i | M2 Nm | Fm | N | Unit Designation | kg | |
|--------------|---------|---------------|----------------|---------------|--|---------------------------|------------|
| Output Speed | Ratio | Output Torque | Service Factor | Overhung Load | Column Entry 1 - 20 Spaces to be filled when entering order | Weight of Base Mount unit | Motor Size |
| 1.3 | 1021.77 | 655 | 1.17 | 11402 | C 0 6 4 1 1 0 C _ M _ _ _ . 1 2 A _ _ | 50.5 | 63 |
| 1.2 | 1110.85 | 711 | 1.08 | 11402 | 1 1 C | | |
| 1.0 | 1299.84 | 815 | 0.94 | 11402 | 1 2 C | | |
| 0.91 | 1495.14 | 937 | 0.82 | 11402 | 1 4 C | | |
| 2.7 | 499.88 | 321 | 3.95 | 29200 | C 0 7 3 1 5 0 0 _ M _ _ _ . 1 2 A _ _ | 84.5 | 63 |
| 2.5 | 547.35 | 350 | 3.62 | 29200 | 5 6 0 | | |
| 1.8 | 747.66 | 471 | 2.67 | 29200 | 8 0 0 | | |
| 1.6 | 838.50 | 526 | 2.39 | 29200 | 9 0 0 | | |
| 1.3 | 1009.20 | 679 | 1.97 | 28931 | C 0 7 4 1 1 0 C _ M _ _ _ . 1 2 A _ _ | 88.5 | 63 |
| 1.2 | 1097.19 | 738 | 1.82 | 28931 | 1 1 C | | |
| 1.1 | 1213.28 | 806 | 1.66 | 28931 | 1 2 C | | |
| 0.97 | 1395.57 | 926 | 1.45 | 28931 | 1 4 C | | |
| 0.90 | 1517.24 | 1006 | 1.33 | 28931 | 1 6 C | | |
| 0.82 | 1661.54 | 1097 | 1.22 | 28931 | 1 8 C | | |
| 0.68 | 1994.66 | 1314 | 1.02 | 28931 | 2 0 C | | |
| 0.62 | 2185.71 | 1441 | 0.93 | 28931 | 2 2 C | | |
| 0.55 | 2462.77 | 1619 | 0.83 | 28931 | 2 5 C | | |
| 1.3 | 1083.79 | 737 | 3.86 | 41656 | C 0 8 4 1 1 1 C _ M _ _ _ . 1 2 A _ _ | 141.5 | 63 |
| 1.1 | 1191.45 | 812 | 3.34 | 41656 | 1 2 C | | |
| 0.97 | 1404.96 | 954 | 2.84 | 41656 | 1 4 C | | |
| 0.89 | 1532.14 | 1030 | 3.18 | 41545 | 1 6 C | | |
| 0.72 | 1901.25 | 1276 | 2.57 | 41545 | 1 8 C | | |
| 0.65 | 2088.45 | 1396 | 2.40 | 41545 | 2 0 C | | |
| 0.61 | 2241.96 | 1501 | 2.18 | 41545 | 2 2 C | | |
| 0.55 | 2462.71 | 1643 | 2.04 | 41545 | 2 5 C | | |
| 0.50 | 2696.62 | 1797 | 1.87 | 41545 | 2 8 C | | |
| 0.41 | 3304.80 | 2194 | 1.53 | 41545 | 3 2 C | | |
| 0.36 | 3760.71 | 2492 | 1.31 | 41545 | 3 6 C | | |
| 0.71 | 1908.45 | 1307 | 3.77 | 53383 | C 0 9 4 1 1 8 C _ M _ _ _ . 1 2 A _ _ | 209.5 | 63 |
| 0.65 | 2106.88 | 1440 | 3.44 | 53383 | 2 0 C | | |
| 0.60 | 2250.46 | 1538 | 3.20 | 53383 | 2 2 C | | |
| 0.55 | 2484.44 | 1694 | 2.92 | 53383 | 2 5 C | | |
| 0.50 | 2720.42 | 1852 | 2.67 | 53383 | 2 8 C | | |
| 0.41 | 3333.96 | 2262 | 2.19 | 53383 | 3 2 C | | |
| 0.36 | 3774.96 | 2554 | 1.93 | 53383 | 3 6 C | | |
| 101 | 8.59 | 9 | 9.52 | 2860 | C 0 3 2 1 8 . 0 _ M _ _ _ . 1 2 C _ _ | 14.5 | 63 |
| 75 | 11.61 | 12 | 7.78 | 2860 | 1 1 . | | |
| 66 | 13.20 | 14 | 7.04 | 2860 | 1 2 . | | |
| 58 | 14.95 | 15 | 6.45 | 2860 | 1 4 . | | |
| 53 | 16.36 | 15 | 6.26 | 2860 | 1 6 . | | |
| 45 | 19.12 | 20 | 5.38 | 2850 | 1 8 . | | |
| 42 | 20.61 | 21 | 5.11 | 2850 | 2 0 . | | |
| 39 | 22.11 | 20 | 5.11 | 2850 | 2 2 . | | |
| 35 | 25.14 | 22 | 4.67 | 2850 | 2 5 . | | |
| 31 | 28.48 | 25 | 4.29 | 2850 | 2 8 . | | |
| 26 | 33.71 | 34 | 3.59 | 2850 | 3 2 . | | |
| 24 | 36.43 | 32 | 3.61 | 2850 | 3 6 . | | |
| 22 | 39.26 | 34 | 3.43 | 2850 | 4 0 . | | |
| 19 | 45.50 | 46 | 2.98 | 2840 | 4 5 . | | |
| 16 | 53.31 | 53 | 2.70 | 2830 | 5 0 . | | |
| 15 | 56.19 | 49 | 2.67 | 2840 | 5 6 . | | |
| 14 | 64.21 | 55 | 2.44 | 2830 | 6 3 . | | |
| 12 | 74.55 | 74 | 2.01 | 2820 | 7 1 . | | |
| 11 | 82.83 | 81 | 1.82 | 2820 | 8 0 . | | |
| 10 | 86.67 | 73 | 2.04 | 2830 | 9 0 . | | |
| 8.6 | 101.54 | 84 | 1.76 | 2820 | 1 0 0 | | |
| 7.6 | 114.33 | 112 | 1.14 | 2800 | 1 1 2 | | |
| 6.7 | 129.94 | 126 | 0.99 | 2800 | 1 2 5 | | |
| 6.1 | 142.00 | 116 | 1.28 | 2800 | 1 4 0 | | |
| 5.5 | 157.78 | 128 | 1.16 | 2800 | 1 6 0 | | |
| 4.0 | 217.78 | 174 | 0.85 | 2770 | 2 1 2 | | |
| 8.3 | 105.36 | 102 | 1.46 | 2810 | C 0 3 3 1 1 0 0 _ M _ _ _ . 1 2 C _ _ | 17.5 | 63 |
| 7.2 | 120.39 | 116 | 1.28 | 2800 | 1 1 8 | | |
| 6.7 | 130.10 | 104 | 1.42 | 2810 | 1 3 2 | | |
| 6.2 | 140.21 | 112 | 1.32 | 2800 | 1 5 0 | | |
| 5.4 | 162.50 | 155 | 0.96 | 2780 | 1 6 0 | | |
| 4.6 | 190.38 | 181 | 0.82 | 2770 | 1 8 0 | | |
| 4.3 | 200.68 | 157 | 0.94 | 2780 | 2 0 0 | | |
| 3.8 | 229.32 | 179 | 0.83 | 2770 | 2 2 5 | | |
| 16 | 53.31 | 54 | 3.78 | 5290 | C 0 4 2 1 5 0 . _ M _ _ _ . 1 2 C _ _ | 16.5 | 63 |
| 14 | 64.21 | 56 | 3.90 | 5290 | 6 3 . | | |
| 12 | 74.55 | 74 | 2.71 | 5290 | 7 1 . | | |

NOTE:

Other output speeds are available using 2 & 8 pole motors. Please contact our Application Engineers

SERIES C SELECTION TABLE GEARED MOTORS

012.kW
6 POLE

| N2 RPM | i | M2 Nm | Fm | N | Unit Designation | kg | |
|--------------|---------|---------------|----------------|---------------|--|---------------------------|------------|
| Output Speed | Ratio | Output Torque | Service Factor | Overhung Load | Column Entry 1 - 20 Spaces to be filled when entering order | Weight of Base Mount unit | Motor Size |
| 11 | 82.83 | 82 | 2.28 | 5290 | C 0 4 2 1 8 0 . _ M _ _ _ . 1 2 C - - | 16.5 | 63 |
| 10 | 86.67 | 74 | 3.31 | 5290 | 9 0 . | | |
| 8.6 | 101.54 | 86 | 2.95 | 5290 | 1 0 0 | | |
| 7.6 | 114.33 | 113 | 1.14 | 5290 | 1 1 2 | | |
| 6.7 | 129.94 | 127 | 0.99 | 5280 | 1 2 5 | | |
| 6.1 | 142.00 | 118 | 2.35 | 5290 | 1 4 0 | | |
| 5.5 | 157.78 | 130 | 2.13 | 5280 | 1 6 0 | | |
| 4.0 | 217.78 | 176 | 1.14 | 5270 | 2 1 2 | | |
| 3.5 | 247.50 | 198 | 0.99 | 5260 | 2 5 0 | | |
| 8.3 | 105.36 | 103 | 1.94 | 5290 | C 0 4 3 1 1 0 0 _ M _ _ _ . 1 2 C - - | 20.5 | 63 |
| 7.2 | 120.39 | 117 | 1.70 | 5290 | 1 1 8 | | |
| 6.7 | 130.10 | 107 | 2.55 | 5290 | 1 3 2 | | |
| 6.2 | 140.21 | 115 | 2.40 | 5290 | 1 5 0 | | |
| 5.4 | 162.50 | 156 | 1.26 | 5280 | 1 6 0 | | |
| 4.6 | 190.38 | 182 | 1.08 | 5270 | 1 8 0 | | |
| 4.3 | 200.68 | 162 | 1.71 | 5280 | 2 0 0 | | |
| 3.8 | 229.32 | 184 | 1.51 | 5270 | 2 2 5 | | |
| 2.8 | 309.52 | 243 | 1.14 | 5250 | 3 1 5 | | |
| 2.4 | 362.64 | 283 | 0.98 | 5240 | 3 6 0 | | |
| 8.0 | 109.07 | 111 | 3.49 | 7440 | C 0 5 2 1 1 1 2 _ M _ _ _ . 1 2 C - - | 18.5 | 63 |
| 7.0 | 124.00 | 125 | 3.04 | 7440 | 1 2 5 | | |
| 6.1 | 142.00 | 122 | 3.93 | 7440 | 1 4 0 | | |
| 5.4 | 160.00 | 136 | 3.52 | 7440 | 1 6 0 | | |
| 4.1 | 211.11 | 178 | 2.70 | 7440 | 2 1 2 | | |
| 3.6 | 240.00 | 200 | 2.40 | 7440 | 2 5 0 | | |
| 8.4 | 103.90 | 105 | 3.76 | 7440 | C 0 5 3 1 1 0 0 _ M _ _ _ . 1 2 C - - | 21.5 | 63 |
| 7.3 | 118.73 | 119 | 3.29 | 7440 | 1 1 8 | | |
| 5.4 | 160.26 | 159 | 2.45 | 7440 | 1 6 0 | | |
| 4.6 | 187.76 | 186 | 2.08 | 7440 | 1 8 0 | | |
| 4.3 | 201.10 | 168 | 2.85 | 7440 | 2 0 0 | | |
| 3.8 | 229.81 | 191 | 2.51 | 7440 | 2 2 5 | | |
| 3.3 | 262.58 | 257 | 1.50 | 7440 | 2 6 5 | | |
| 3.0 | 291.75 | 284 | 1.35 | 7440 | 2 8 0 | | |
| 2.8 | 310.18 | 254 | 1.90 | 7440 | 3 1 5 | | |
| 2.4 | 363.40 | 295 | 1.63 | 7440 | 3 6 0 | | |
| 2.2 | 402.70 | 391 | 0.97 | 7430 | 4 0 0 | | |
| 1.9 | 457.66 | 441 | 0.86 | 7420 | 4 5 0 | | |
| 1.7 | 508.21 | 406 | 1.19 | 7430 | 5 0 0 | | |
| 1.5 | 564.68 | 449 | 1.07 | 7420 | 5 6 0 | | |
| 7.0 | 124.00 | 132 | 3.95 | 11900 | C 0 6 2 1 1 2 5 _ M _ _ _ . 1 2 C - - | 32.5 | 63 |
| 3.6 | 240.00 | 211 | 3.62 | 11900 | 2 5 0 | | |
| 4.7 | 184.62 | 193 | 3.95 | 11900 | C 0 6 3 1 1 8 0 _ M _ _ _ . 1 2 C - - | 37.5 | 63 |
| 3.3 | 265.95 | 275 | 2.78 | 11800 | 2 6 5 | | |
| 2.9 | 299.67 | 309 | 2.48 | 11800 | 2 8 0 | | |
| 2.6 | 328.67 | 282 | 2.71 | 11800 | 3 1 5 | | |
| 2.4 | 357.32 | 305 | 2.51 | 11800 | 3 6 0 | | |
| 2.2 | 395.39 | 405 | 1.89 | 11700 | 4 0 0 | | |
| 1.9 | 449.50 | 458 | 1.67 | 11700 | 4 5 0 | | |
| 1.7 | 514.75 | 431 | 1.77 | 11700 | 5 0 0 | | |
| 1.5 | 580.00 | 482 | 1.59 | 11700 | 5 6 0 | | |
| 1.1 | 765.28 | 629 | 1.22 | 11600 | 8 0 0 | | |
| 1.0 | 870.00 | 709 | 1.08 | 11500 | 9 0 0 | | |
| 2.7 | 319.95 | 323 | 3.93 | 29200 | C 0 7 3 1 3 1 5 _ M _ _ _ . 1 2 C - - | 84.5 | 63 |
| 2.5 | 341.61 | 344 | 3.69 | 29200 | 3 6 0 | | |
| 2.3 | 373.83 | 400 | 3.35 | 29200 | 4 0 0 | | |
| 2.1 | 419.25 | 446 | 3.00 | 29200 | 4 5 0 | | |
| 1.7 | 499.88 | 495 | 2.55 | 29200 | 5 0 0 | | |
| 1.6 | 547.35 | 539 | 2.33 | 29200 | 5 6 0 | | |
| 1.2 | 747.66 | 731 | 1.72 | 29200 | 8 0 0 | | |
| 1.0 | 838.50 | 817 | 1.54 | 29200 | 9 0 0 | | |
| 0.86 | 1009.20 | 1059 | 1.27 | 28931 | C 0 7 4 1 1 0 C _ M _ _ _ . 1 2 C - - | 88.5 | 63 |
| 0.79 | 1097.19 | 1150 | 1.17 | 28931 | 1 1 C | | |
| 0.72 | 1213.28 | 1260 | 1.06 | 28931 | 1 2 C | | |
| 0.62 | 1395.57 | 1446 | 0.93 | 28931 | 1 4 C | | |
| 0.57 | 1517.24 | 1570 | 0.85 | 28931 | 1 6 C | | |
| 1.4 | 636.31 | 682 | 3.98 | 41656 | C 0 8 4 1 6 3 0 _ M _ _ _ . 1 2 C - - | 141.5 | 63 |
| 1.2 | 711.92 | 761 | 3.57 | 41656 | 7 1 0 | | |
| 1.1 | 758.79 | 812 | 3.34 | 41656 | 8 0 0 | | |
| 0.97 | 899.27 | 959 | 2.83 | 41656 | 9 0 0 | | |
| 0.91 | 960.14 | 1023 | 2.65 | 41656 | 1 0 C | | |
| 0.80 | 1083.79 | 1151 | 2.47 | 41656 | 1 1 C | | |
| 0.73 | 1191.45 | 1264 | 2.15 | 41656 | 1 2 C | | |
| 0.62 | 1404.96 | 1484 | 1.83 | 41656 | 1 4 C | | |
| 0.57 | 1532.14 | 1610 | 2.03 | 41545 | 1 6 C | | |
| 0.46 | 1901.25 | 1991 | 1.64 | 41545 | 1 8 C | | |
| 0.42 | 2088.45 | 2180 | 1.54 | 41545 | 2 0 C | | |
| 0.39 | 2241.96 | 2340 | 1.40 | 41545 | 2 2 C | | |
| 0.35 | 2462.71 | 2563 | 1.31 | 41545 | 2 5 C | | |
| 0.32 | 2696.62 | 2801 | 1.20 | 41545 | 2 8 C | | |
| 0.26 | 3304.80 | 3414 | 0.98 | 41545 | 3 2 C | | |

NOTE:
Other output speeds are available using 2 & 8 pole motors. Please contact our Application Engineers

SERIES C SELECTION TABLE GEARED MOTORS

012.kW
6 POLE

0.18 kW
4 POLE

| N2 RPM | i | M2 Nm | Fm | N | Unit Designation | kg | | | |
|--------------|---------|---------------|----------------|---------------|--|---------------------------|------------|------|----|
| Output Speed | Ratio | Output Torque | Service Factor | Overhung Load | Column Entry 1 - 20 Spaces to be filled when entering order | Weight of Base Mount unit | Motor Size | | |
| 0.23 | 3760.71 | 3866 | 0.85 | 41545 | C 0 8 4 1 3 6 C _ M _ _ _ _ . 1 2 C - - | 141.5 | 63 | | |
| 0.72 | 1216.09 | 1319 | 3.62 | 53383 | C 0 9 4 1 1 2 C _ M _ _ _ _ . 1 2 C - - | 209.5 | 63 | | |
| 0.61 | 1434.02 | 1549 | 3.09 | 53383 | 1 4 C | | | | |
| 0.57 | 1537.95 | 1649 | 2.99 | 53383 | 1 6 C | | | | |
| 0.46 | 1908.45 | 2039 | 2.41 | 53383 | 1 8 C | | | | |
| 0.41 | 2106.88 | 2247 | 2.20 | 53383 | 2 0 C | | | | |
| 0.39 | 2250.46 | 2397 | 2.05 | 53383 | 2 2 C | | | | |
| 0.35 | 2484.44 | 2641 | 1.88 | 53383 | 2 5 C | | | | |
| 0.32 | 2720.42 | 2886 | 1.72 | 53383 | 2 8 C | | | | |
| 0.26 | 3333.96 | 3518 | 1.41 | 53383 | 3 2 C | | | | |
| 0.23 | 3774.96 | 3963 | 1.24 | 53383 | 3 6 C | | | | |
| 159 | 8.59 | 8 | 9.03 | 2858 | C 0 3 2 1 8 . 0 _ M _ _ _ _ . 1 8 A - - | 14.5 | 63 | | |
| 118 | 11.61 | 12 | 7.30 | 2857 | 1 1 . | | | | |
| 104 | 13.20 | 13 | 6.67 | 2857 | 1 2 . | | | | |
| 92 | 14.95 | 15 | 6.09 | 2857 | 1 4 . | | | | |
| 84 | 16.36 | 14 | 5.83 | 2856 | 1 6 . | | | | |
| 72 | 19.12 | 19 | 5.11 | 2856 | 1 8 . | | | | |
| 66 | 20.61 | 20 | 4.84 | 2856 | 2 0 . | | | | |
| 62 | 22.11 | 19 | 4.77 | 2856 | 2 2 . | | | | |
| 54 | 25.14 | 22 | 4.36 | 2855 | 2 5 . | | | | |
| 48 | 28.48 | 25 | 4.02 | 2855 | 2 8 . | | | | |
| 41 | 33.71 | 33 | 3.38 | 2844 | 3 2 . | | | | |
| 38 | 36.43 | 31 | 3.39 | 2844 | 3 6 . | | | | |
| 35 | 39.26 | 34 | 3.22 | 2844 | 4 0 . | | | | |
| 30 | 45.50 | 44 | 2.72 | 2841 | 4 5 . | | | | |
| 26 | 53.31 | 52 | 2.44 | 2831 | 5 0 . | | | | |
| 24 | 56.19 | 47 | 2.51 | 2841 | 5 6 . | | | | |
| 21 | 64.21 | 54 | 2.29 | 2830 | 6 3 . | | | | |
| 18 | 74.55 | 71 | 2.00 | 2825 | 7 1 . | | | | |
| 17 | 82.83 | 79 | 1.85 | 2818 | 8 0 . | | | | |
| 16 | 86.67 | 71 | 1.94 | 2825 | 9 0 . | | | | |
| 13 | 101.54 | 82 | 1.73 | 2816 | 1 0 0 | | | | |
| 12 | 114.33 | 107 | 1.20 | 2801 | 1 1 2 | | | | |
| 11 | 129.94 | 122 | 1.03 | 2796 | 1 2 5 | | | | |
| 10 | 142.00 | 113 | 1.32 | 2801 | 1 4 0 | | | | |
| 8.7 | 157.78 | 124 | 1.20 | 2796 | 1 6 0 | | | | |
| 6.3 | 217.78 | 168 | 0.88 | 2770 | 2 1 2 | | | | |
| 13 | 105.36 | 98 | 1.52 | 2810 | C 0 3 3 1 1 0 0 _ M _ _ _ _ . 1 8 A - - | 17.5 | 63 | | |
| 11 | 120.39 | 111 | 1.33 | 2801 | 1 1 8 | | | | |
| 11 | 130.10 | 102 | 1.45 | 2811 | 1 3 2 | | | | |
| 10 | 140.21 | 109 | 1.36 | 2801 | 1 5 0 | | | | |
| 8.4 | 162.50 | 149 | 1.00 | 2782 | 1 6 0 | | | | |
| 7.2 | 190.38 | 174 | 0.86 | 2770 | 1 8 0 | | | | |
| 6.8 | 200.68 | 153 | 0.97 | 2780 | 2 0 0 | | | | |
| 6.0 | 229.32 | 174 | 0.86 | 2770 | 2 2 5 | | | | |
| 26 | 53.31 | 52 | 3.97 | 5286 | C 0 4 2 1 5 0 . _ M _ _ _ _ . 1 8 A - - | | | 16.5 | 63 |
| 21 | 64.21 | 55 | 3.67 | 5286 | 6 3 . | | | | |
| 18 | 74.55 | 72 | 2.84 | 5284 | 7 1 . | | | | |
| 17 | 82.83 | 80 | 2.39 | 5284 | 8 0 . | | | | |
| 16 | 86.67 | 73 | 3.11 | 5287 | 9 0 . | | | | |
| 13 | 101.54 | 84 | 2.77 | 5285 | 1 0 0 | | | | |
| 12 | 114.33 | 108 | 1.20 | 5280 | 1 1 2 | | | | |
| 11 | 129.94 | 123 | 1.03 | 5278 | 1 2 5 | | | | |
| 10 | 142.00 | 115 | 2.18 | 5280 | 1 4 0 | | | | |
| 8.7 | 157.78 | 127 | 2.02 | 5278 | 1 6 0 | | | | |
| 6.3 | 217.78 | 172 | 1.20 | 5271 | 2 1 2 | | | | |
| 5.5 | 247.50 | 194 | 1.03 | 5261 | 2 5 0 | | | | |
| 13 | 105.36 | 99 | 2.04 | 5281 | C 0 4 3 1 1 0 0 _ M _ _ _ _ . 1 8 A - - | 20.5 | 63 | | |
| 11 | 120.39 | 113 | 1.78 | 5280 | 1 1 8 | | | | |
| 11 | 130.10 | 104 | 2.28 | 5281 | 1 3 2 | | | | |
| 10 | 140.21 | 112 | 2.18 | 5280 | 1 5 0 | | | | |
| 8.4 | 162.50 | 151 | 1.32 | 5275 | 1 6 0 | | | | |
| 7.2 | 190.38 | 176 | 1.13 | 5270 | 1 8 0 | | | | |
| 6.8 | 200.68 | 157 | 1.75 | 5275 | 2 0 0 | | | | |
| 6.0 | 229.32 | 178 | 1.55 | 5271 | 2 2 5 | | | | |
| 5.1 | 266.25 | 244 | 0.81 | 5246 | 2 6 5 | | | | |
| 4.4 | 309.52 | 237 | 1.17 | 5250 | 3 1 5 | | | | |
| 3.8 | 362.64 | 275 | 1.01 | 5240 | 3 6 0 | | | | |
| 13 | 109.07 | 107 | 3.66 | 7438 | C 0 5 2 1 1 1 2 _ M _ _ _ _ . 1 8 A - - | | | 18.5 | 63 |
| 11 | 124.00 | 121 | 3.19 | 7438 | 1 2 5 | | | | |
| 8.6 | 160.00 | 133 | 3.61 | 7436 | 1 6 0 | | | | |
| 6.5 | 211.11 | 173 | 2.78 | 7433 | 2 1 2 | | | | |
| 5.7 | 240.00 | 195 | 2.47 | 7437 | 2 5 0 | | | | |

NOTE:
Other output speeds are available using 2 & 8 pole motors. Please contact our Application Engineers

SERIES C SELECTION TABLE GEARED MOTORS

0.18 kW

4 POLE

| N2 RPM | i | M2 Nm | Fm | N | Unit Designation | kg | | | |
|--------------|---------|---------------|----------------|---------------|--|---------------------------|------------|-------|----|
| Output Speed | Ratio | Output Torque | Service Factor | Overhung Load | Column Entry 1 - 20 Spaces to be filled when entering order | Weight of Base Mount unit | Motor Size | | |
| 13 | 103.90 | 101 | 3.95 | 7436 | C 0 5 3 1 1 0 0 _ M _ _ _ _ . 1 8 A - - | 21.5 | 63 | | |
| 12 | 118.73 | 115 | 3.46 | 7435 | 1 1 8 | | | | |
| 8.5 | 160.26 | 153 | 2.57 | 7434 | 1 6 0 | | | | |
| 7.3 | 187.76 | 179 | 2.19 | 7434 | 1 8 0 | | | | |
| 6.8 | 201.10 | 163 | 2.94 | 7435 | 2 0 0 | | | | |
| 6.0 | 229.81 | 186 | 2.59 | 7434 | 2 2 5 | | | | |
| 5.2 | 262.58 | 247 | 1.57 | 7432 | 2 6 5 | | | | |
| 4.7 | 291.75 | 273 | 1.42 | 7430 | 2 8 0 | | | | |
| 4.4 | 310.18 | 246 | 1.95 | 7432 | 3 1 5 | | | | |
| 3.8 | 363.40 | 286 | 1.68 | 7428 | 3 6 0 | | | | |
| 3.4 | 402.70 | 374 | 1.03 | 7421 | 4 0 0 | | | | |
| 3.0 | 457.66 | 425 | 0.90 | 7416 | 4 5 0 | | | | |
| 2.7 | 508.21 | 394 | 1.22 | 7421 | 5 0 0 | | | | |
| 2.4 | 564.68 | 435 | 1.11 | 7420 | 5 6 0 | | | | |
| 1.8 | 779.42 | 592 | 0.81 | 7390 | 8 0 0 | | | | |
| 5.7 | 240.00 | 206 | 3.71 | 11852 | C 0 6 2 1 2 5 0 _ M _ _ _ _ . 1 8 A - - | | | 32.5 | 63 |
| 5.2 | 265.95 | 265 | 2.89 | 11830 | C 0 6 3 1 2 6 5 _ M _ _ _ _ . 1 8 A - - | | | 37.5 | 63 |
| 4.6 | 299.67 | 297 | 2.57 | 11728 | 2 8 0 | | | | |
| 4.2 | 328.67 | 275 | 2.78 | 11828 | 3 1 5 | | | | |
| 3.8 | 357.32 | 297 | 2.57 | 11828 | 3 6 0 | | | | |
| 3.5 | 395.39 | 390 | 1.96 | 11704 | 4 0 0 | | | | |
| 3.0 | 449.50 | 440 | 1.74 | 11661 | 4 5 0 | | | | |
| 2.7 | 514.75 | 419 | 1.83 | 11707 | 5 0 0 | | | | |
| 2.4 | 580.00 | 469 | 1.63 | 11707 | 5 6 0 | | | | |
| 1.8 | 765.28 | 610 | 1.25 | 11600 | 8 0 0 | | | | |
| 1.6 | 870.00 | 688 | 1.11 | 11500 | 9 0 0 | | | | |
| 4.0 | 341.61 | 330 | 3.84 | 28143 | C 0 7 3 1 3 6 0 _ M _ _ _ _ . 1 8 A - - | 84.5 | 63 | | |
| 3.7 | 373.83 | 384 | 3.49 | 27930 | 4 0 0 | | | | |
| 3.3 | 419.25 | 429 | 3.12 | 29161 | 4 5 0 | | | | |
| 2.7 | 499.88 | 479 | 2.65 | 29152 | 5 0 0 | | | | |
| 2.5 | 547.35 | 522 | 2.43 | 29152 | 5 6 0 | | | | |
| 1.8 | 747.66 | 701 | 1.80 | 29130 | 8 0 0 | | | | |
| 1.6 | 838.50 | 784 | 1.61 | 29116 | 9 0 0 | | | | |
| 1.4 | 1009.20 | 1012 | 1.33 | 28931 | C 0 7 4 1 1 0 C _ M _ _ _ _ . 1 8 A - - | | | | |
| 1.2 | 1097.19 | 1099 | 1.22 | 28931 | 1 1 C | | | | |
| 1.1 | 1213.28 | 1201 | 1.12 | 28931 | 1 2 C | | | | |
| 0.98 | 1395.57 | 1379 | 0.97 | 28931 | 1 4 C | | | | |
| 0.90 | 1517.24 | 1498 | 0.90 | 28931 | 1 6 C | | | | |
| 0.82 | 1661.54 | 1634 | 0.82 | 28931 | 1 8 C | | | | |
| 1.9 | 711.92 | 726 | 3.74 | 41656 | C 0 8 4 1 7 1 0 _ M _ _ _ _ . 1 8 A - - | 141.5 | 63 | | |
| 1.8 | 758.79 | 774 | 3.51 | 41656 | 8 0 0 | | | | |
| 1.5 | 899.27 | 916 | 2.96 | 41656 | 9 0 0 | | | | |
| 1.4 | 960.14 | 977 | 2.78 | 41656 | 1 0 C | | | | |
| 1.3 | 1083.79 | 1098 | 2.59 | 41656 | 1 1 C | | | | |
| 1.1 | 1191.45 | 1209 | 2.25 | 41656 | 1 2 C | | | | |
| 0.98 | 1404.96 | 1421 | 1.91 | 41656 | 1 4 C | | | | |
| 0.89 | 1532.14 | 1534 | 2.14 | 41545 | 1 6 C | | | | |
| 0.72 | 1901.25 | 1900 | 1.72 | 41545 | 1 8 C | | | | |
| 0.66 | 2088.45 | 2079 | 1.61 | 41545 | 2 0 C | | | | |
| 0.61 | 2241.96 | 2236 | 1.47 | 41545 | 2 2 C | | | | |
| 0.56 | 2462.71 | 2447 | 1.37 | 41545 | 2 5 C | | | | |
| 0.51 | 2696.62 | 2676 | 1.25 | 41545 | 2 8 C | | | | |
| 0.41 | 3304.80 | 3268 | 1.03 | 41545 | 3 2 C | | | | |
| 0.36 | 3760.71 | 3711 | 0.88 | 41545 | 3 6 C | | | | |
| 1.1 | 1216.09 | 1261 | 3.79 | 53383 | C 0 9 4 1 1 2 C _ M _ _ _ _ . 1 8 A - - | | | 209.5 | 63 |
| 0.96 | 1434.02 | 1483 | 3.22 | 53383 | 1 4 C | | | | |
| 0.89 | 1537.95 | 1572 | 3.13 | 53383 | 1 6 C | | | | |
| 0.72 | 1908.45 | 1947 | 2.53 | 53383 | 1 8 C | | | | |
| 0.65 | 2106.88 | 2144 | 2.31 | 53383 | 2 0 C | | | | |
| 0.61 | 2250.46 | 2291 | 2.15 | 53383 | 2 2 C | | | | |
| 0.55 | 2484.44 | 2523 | 1.96 | 53383 | 2 5 C | | | | |
| 0.50 | 2720.42 | 2759 | 1.80 | 53383 | 2 8 C | | | | |
| 0.41 | 3333.96 | 3368 | 1.47 | 53383 | 3 2 C | | | | |
| 0.36 | 3774.96 | 3803 | 1.30 | 53383 | 3 6 C | | | | |

NOTE:

Other output speeds are available using 2 & 8 pole motors. Please contact our Application Engineers

SERIES C SELECTION TABLE GEARED MOTORS

0.18 kW
6 POLE

| N2 RPM | i | M2 Nm | Fm | N | Unit Designation | kg | |
|--------------|--------|---------------|----------------|---------------|--|---------------------------|------------|
| Output Speed | Ratio | Output Torque | Service Factor | Overhung Load | Column Entry 1 - 20 Spaces to be filled when entering order | Weight of Base Mount unit | Motor Size |
| 105 | 8.59 | 13 | 6.56 | 2857 | C 0 3 2 1 8 . 0 _ M _ _ _ . 1 8 C - - | 15.5 | 71 |
| 78 | 11.61 | 17 | 5.36 | 2856 | 1 1 . | | |
| 68 | 13.20 | 20 | 4.85 | 2856 | 1 2 . | | |
| 60 | 14.95 | 22 | 4.45 | 2855 | 1 4 . | | |
| 55 | 16.36 | 22 | 4.32 | 2855 | 1 6 . | | |
| 47 | 19.12 | 29 | 3.71 | 2845 | 1 8 . | | |
| 44 | 20.61 | 31 | 3.52 | 2844 | 2 0 . | | |
| 41 | 22.11 | 29 | 3.53 | 2845 | 2 2 . | | |
| 36 | 25.14 | 33 | 3.22 | 2844 | 2 5 . | | |
| 32 | 28.48 | 37 | 2.96 | 2843 | 2 8 . | | |
| 27 | 33.71 | 50 | 2.48 | 2840 | 3 2 . | | |
| 25 | 36.43 | 46 | 2.49 | 2841 | 3 6 . | | |
| 23 | 39.26 | 50 | 2.36 | 2840 | 4 0 . | | |
| 20 | 45.50 | 67 | 2.06 | 2827 | 4 5 . | | |
| 17 | 53.31 | 77 | 1.86 | 2816 | 5 0 . | | |
| 16 | 56.19 | 71 | 1.84 | 2827 | 5 6 . | | |
| 14 | 64.21 | 80 | 1.68 | 2816 | 6 3 . | | |
| 12 | 74.55 | 107 | 1.39 | 2800 | 7 1 . | | |
| 11 | 82.83 | 118 | 1.26 | 2798 | 8 0 . | | |
| 10 | 86.67 | 105 | 1.41 | 2810 | 9 0 . | | |
| 8.9 | 101.54 | 122 | 1.21 | 2796 | 1 0 0 | | |
| 6.3 | 142.00 | 168 | 0.89 | 2772 | 1 4 0 | | |
| 5.7 | 157.78 | 185 | 0.80 | 2338 | 1 6 0 | | |
| 8.5 | 105.36 | 148 | 1.01 | 2135 | C 0 3 3 1 1 0 0 _ M _ _ _ . 1 8 C - - | 19.5 | 71 |
| 7.5 | 120.39 | 168 | 0.89 | 2772 | 1 1 8 | | |
| 6.9 | 130.10 | 152 | 0.98 | 2782 | 1 3 2 | | |
| 6.4 | 140.21 | 163 | 0.91 | 2772 | 1 5 0 | | |
| 25 | 36.43 | 48 | 3.97 | 5286 | C 0 4 2 1 3 6 . _ M _ _ _ . 1 8 C - - | 18.5 | 71 |
| 23 | 39.26 | 51 | 3.79 | 5286 | 4 0 . | | |
| 20 | 45.50 | 67 | 3.05 | 5285 | 4 5 . | | |
| 17 | 53.31 | 79 | 2.60 | 5284 | 5 0 . | | |
| 16 | 56.19 | 72 | 2.95 | 5285 | 5 6 . | | |
| 14 | 64.21 | 81 | 2.69 | 5283 | 6 3 . | | |
| 12 | 74.55 | 108 | 1.87 | 5281 | 7 1 . | | |
| 11 | 82.83 | 120 | 1.57 | 5278 | 8 0 . | | |
| 10 | 86.67 | 108 | 2.28 | 5280 | 9 0 . | | |
| 8.9 | 101.54 | 125 | 2.03 | 5278 | 1 0 0 | | |
| 6.3 | 142.00 | 171 | 1.62 | 5273 | 1 4 0 | | |
| 5.7 | 157.78 | 189 | 1.47 | 5263 | 1 6 0 | | |
| 8.5 | 105.36 | 150 | 1.34 | 5276 | C 0 4 3 1 1 0 0 _ M _ _ _ . 1 8 C - - | 21.5 | 71 |
| 7.5 | 120.39 | 170 | 1.17 | 5273 | 1 1 8 | | |
| 6.9 | 130.10 | 156 | 1.76 | 5274 | 1 3 2 | | |
| 6.4 | 140.21 | 167 | 1.66 | 5273 | 1 5 0 | | |
| 5.5 | 162.50 | 227 | 0.87 | 5256 | 1 6 0 | | |
| 4.5 | 200.68 | 235 | 1.18 | 5256 | 2 0 0 | | |
| 3.9 | 229.32 | 266 | 1.04 | 5242 | 2 2 5 | | |
| 12 | 73.37 | 109 | 3.64 | 7436 | C 0 5 2 1 7 1 . _ M _ _ _ . 1 8 C - - | 21.5 | 71 |
| 11 | 82.67 | 123 | 3.23 | 7435 | 8 0 . | | |
| 9.1 | 98.57 | 126 | 3.81 | 7435 | 1 0 0 | | |
| 8.3 | 109.07 | 161 | 2.41 | 7434 | 1 1 2 | | |
| 7.3 | 124.00 | 181 | 2.09 | 7434 | 1 2 5 | | |
| 6.3 | 142.00 | 177 | 2.71 | 7434 | 1 4 0 | | |
| 5.6 | 160.00 | 198 | 2.43 | 7431 | 1 6 0 | | |
| 4.3 | 211.11 | 258 | 1.86 | 6731 | 2 1 2 | | |
| 3.8 | 240.00 | 291 | 1.66 | 7428 | 2 5 0 | | |
| 8.7 | 103.90 | 152 | 2.59 | 7037 | C 0 5 3 1 1 0 0 _ M _ _ _ . 1 8 C - - | 25.5 | 71 |
| 7.6 | 118.73 | 173 | 2.27 | 6984 | 1 1 8 | | |
| 6.9 | 130.38 | 162 | 2.96 | 6984 | 1 3 2 | | |
| 6.4 | 140.51 | 174 | 2.77 | 6984 | 1 5 0 | | |
| 5.6 | 160.26 | 231 | 1.69 | 6731 | 1 6 0 | | |
| 4.8 | 187.76 | 269 | 1.44 | 7427 | 1 8 0 | | |
| 4.5 | 201.10 | 244 | 1.97 | 7430 | 2 0 0 | | |
| 3.9 | 229.81 | 277 | 1.73 | 7427 | 2 2 5 | | |
| 3.4 | 262.58 | 373 | 1.03 | 7420 | 2 6 5 | | |
| 3.1 | 291.75 | 411 | 0.93 | 7418 | 2 8 0 | | |
| 2.9 | 310.18 | 368 | 1.31 | 7423 | 3 1 5 | | |
| 2.5 | 363.40 | 428 | 1.12 | 7094 | 3 6 0 | | |
| 1.8 | 508.21 | 589 | 0.82 | 7393 | 5 0 0 | | |
| 7.3 | 124.00 | 192 | 2.72 | 11852 | C 0 6 2 1 1 2 5 _ M _ _ _ . 1 8 C - - | 34.5 | 71 |
| 5.7 | 156.67 | 206 | 3.71 | 11852 | 1 6 0 | | |
| 4.2 | 214.00 | 275 | 2.78 | 11833 | 2 1 2 | | |
| 3.8 | 240.00 | 307 | 2.49 | 11823 | 2 5 0 | | |
| 5.3 | 169.81 | 259 | 2.95 | 11833 | C 0 6 3 1 1 6 0 _ M _ _ _ . 1 8 C - - | 39.5 | 71 |
| 4.9 | 184.62 | 281 | 2.72 | 11823 | 1 8 0 | | |
| 3.4 | 265.95 | 399 | 1.92 | 11702 | 2 6 5 | | |
| 3.0 | 299.67 | 448 | 1.71 | 11680 | 2 8 0 | | |
| 2.7 | 328.67 | 409 | 1.87 | 11704 | 3 1 5 | | |
| 2.5 | 357.32 | 442 | 1.73 | 11704 | 3 6 0 | | |
| 2.3 | 395.39 | 588 | 1.30 | 11556 | 4 0 0 | | |
| 2.0 | 449.50 | 665 | 1.15 | 11515 | 4 5 0 | | |
| 1.7 | 514.75 | 625 | 1.22 | 11561 | 5 0 0 | | |

NOTE:
Other output speeds are available using 2 & 8 pole motors. Please contact our Application Engineers

SERIES C SELECTION TABLE GEARED MOTORS

0.18 kW
6 POLE

| N2 RPM | i | M2 Nm | Fm | N | Unit Designation | kg | |
|--------------|---------|---------------|----------------|---------------|--|---------------------------|------------|
| Output Speed | Ratio | Output Torque | Service Factor | Overhung Load | Column Entry 1 - 20 Spaces to be filled when entering order | Weight of Base Mount unit | Motor Size |
| 1.6 | 580.00 | 700 | 1.09 | 11515 | C 0 6 3 1 5 6 0 _ M _ _ _ _ . 1 8 C - - | 39.5 | 71 |
| 1.2 | 765.28 | 913 | 0.84 | 11400 | 8 0 0 | | |
| 4.0 | 226.39 | 334 | 3.79 | 29180 | C 0 7 3 1 2 2 5 _ M _ _ _ _ . 1 8 C - - | 86.5 | 71 |
| 3.6 | 249.94 | 392 | 3.41 | 29171 | 2 6 5 | | |
| 3.3 | 273.68 | 428 | 3.12 | 29161 | 2 8 0 | | |
| 2.8 | 319.95 | 468 | 2.71 | 29161 | 3 1 5 | | |
| 2.6 | 341.61 | 499 | 2.54 | 29152 | 3 6 0 | | |
| 2.4 | 373.83 | 580 | 2.31 | 29144 | 4 0 0 | | |
| 2.1 | 419.25 | 648 | 2.07 | 29144 | 4 5 0 | | |
| 1.8 | 499.88 | 717 | 1.76 | 29130 | 5 0 0 | | |
| 1.6 | 547.35 | 782 | 1.61 | 29116 | 5 6 0 | | |
| 1.2 | 747.66 | 1061 | 1.19 | 29080 | 8 0 0 | | |
| 1.1 | 838.50 | 1185 | 1.06 | 29056 | 9 0 0 | | |
| 0.89 | 1009.20 | 1536 | 0.87 | 28931 | C 0 7 4 1 1 0 C _ M _ _ _ _ . 1 8 C - - | 90.5 | 71 |
| 0.82 | 1097.19 | 1667 | 0.80 | 28931 | 1 1 C | | |
| 1.6 | 547.09 | 852 | 3.19 | 41656 | C 0 8 4 1 5 6 0 _ M _ _ _ _ . 1 8 C - - | 143.5 | 71 |
| 1.4 | 636.31 | 989 | 2.74 | 41656 | 6 3 0 | | |
| 1.3 | 711.92 | 1104 | 2.46 | 41656 | 7 1 0 | | |
| 1.2 | 758.79 | 1177 | 2.31 | 41656 | 8 0 0 | | |
| 1.0 | 899.27 | 1391 | 1.95 | 41656 | 9 0 0 | | |
| 0.94 | 960.14 | 1484 | 1.83 | 41656 | 1 0 C | | |
| 0.83 | 1083.79 | 1669 | 1.70 | 41656 | 1 1 C | | |
| 0.76 | 1191.45 | 1833 | 1.48 | 41656 | 1 2 C | | |
| 0.64 | 1404.96 | 2152 | 1.26 | 41656 | 1 4 C | | |
| 0.59 | 1532.14 | 2335 | 1.40 | 41545 | 1 6 C | | |
| 0.47 | 1901.25 | 2887 | 1.13 | 41545 | 1 8 C | | |
| 0.43 | 2088.45 | 3162 | 1.06 | 41545 | 2 0 C | | |
| 0.40 | 2241.96 | 3394 | 0.97 | 41545 | 2 2 C | | |
| 0.37 | 2462.71 | 3716 | 0.90 | 41545 | 2 5 C | | |
| 0.33 | 2696.62 | 4061 | 0.83 | 41545 | 2 8 C | | |
| 1.2 | 774.48 | 1227 | 3.90 | 53383 | C 0 9 4 1 8 0 0 _ M _ _ _ _ . 1 8 C - - | 211.5 | 71 |
| 0.98 | 917.87 | 1451 | 3.29 | 53383 | 9 0 0 | | |
| 0.92 | 980.00 | 1547 | 3.09 | 53383 | 1 0 C | | |
| 0.83 | 1088.78 | 1713 | 2.81 | 53383 | 1 1 C | | |
| 0.74 | 1216.09 | 1912 | 2.50 | 53383 | 1 2 C | | |
| 0.63 | 1434.02 | 2246 | 2.13 | 53383 | 1 4 C | | |
| 0.59 | 1537.95 | 2391 | 2.06 | 53383 | 1 6 C | | |
| 0.47 | 1908.45 | 2957 | 1.67 | 53383 | 1 8 C | | |
| 0.43 | 2106.88 | 3258 | 1.52 | 53383 | 2 0 C | | |
| 0.40 | 2250.46 | 3476 | 1.42 | 53383 | 2 2 C | | |
| 0.36 | 2484.44 | 3830 | 1.29 | 53383 | 2 5 C | | |
| 0.33 | 2720.42 | 4185 | 1.18 | 53383 | 2 8 C | | |
| 0.27 | 3333.96 | 5102 | 0.97 | 53383 | 3 2 C | | |
| 0.24 | 3774.96 | 5746 | 0.86 | 53383 | 3 6 C | | |

0.25 kW
4 POLE

| | | | | | | | |
|-----|--------|-----|------|------|---|------|----|
| 163 | 8.59 | 12 | 6.64 | 2856 | C 0 3 2 1 8 . 0 _ M _ _ _ _ . 2 5 A - - | 15.5 | 71 |
| 121 | 11.61 | 16 | 5.37 | 2855 | 1 1 . | | |
| 106 | 13.20 | 18 | 4.90 | 2854 | 1 2 . | | |
| 94 | 14.95 | 20 | 4.48 | 2854 | 1 4 . | | |
| 86 | 16.36 | 20 | 4.29 | 2853 | 1 6 . | | |
| 73 | 19.12 | 26 | 3.76 | 2852 | 1 8 . | | |
| 68 | 20.61 | 28 | 3.56 | 2852 | 2 0 . | | |
| 63 | 22.11 | 26 | 3.51 | 2852 | 2 2 . | | |
| 56 | 25.14 | 30 | 3.21 | 2849 | 2 5 . | | |
| 49 | 28.48 | 34 | 2.95 | 2849 | 2 8 . | | |
| 42 | 33.71 | 45 | 2.49 | 2837 | 3 2 . | | |
| 38 | 36.43 | 42 | 2.49 | 2837 | 3 6 . | | |
| 36 | 39.26 | 46 | 2.37 | 2837 | 4 0 . | | |
| 31 | 45.50 | 60 | 2.00 | 2831 | 4 5 . | | |
| 26 | 53.31 | 70 | 1.79 | 2821 | 5 0 . | | |
| 25 | 56.19 | 64 | 1.85 | 2831 | 5 6 . | | |
| 22 | 64.21 | 73 | 1.69 | 2818 | 6 3 . | | |
| 19 | 74.55 | 97 | 1.47 | 2808 | 7 1 . | | |
| 17 | 82.83 | 107 | 1.36 | 2804 | 8 0 . | | |
| 16 | 86.67 | 97 | 1.43 | 2808 | 9 0 . | | |
| 14 | 101.54 | 112 | 1.27 | 2800 | 1 0 0 | | |
| 12 | 114.33 | 146 | 0.88 | 2780 | 1 1 2 | | |
| 10 | 142.00 | 153 | 0.97 | 2780 | 1 4 0 | | |
| 8.9 | 157.78 | 169 | 0.88 | 2770 | 1 6 0 | | |
| 13 | 105.36 | 133 | 1.12 | 2788 | C 0 3 3 1 1 0 0 _ M _ _ _ _ . 2 5 A - - | 19.5 | 71 |
| 12 | 120.39 | 151 | 0.98 | 2780 | 1 1 8 | | |
| 11 | 130.10 | 138 | 1.07 | 2790 | 1 3 2 | | |
| 10 | 140.21 | 148 | 1.00 | 2780 | 1 5 0 | | |

NOTE:
Other output speeds are available using 2 & 8 pole motors. Please contact our Application Engineers

SERIES C SELECTION TABLE GEARED MOTORS

0.25 kW
4 POLE

| N2 RPM | i | M2 Nm | Fm | N | Unit Designation | kg | |
|-----------------|---------|------------------|-------------------|------------------|--|------------------------------|---------------|
| Output Speed | Ratio | Output Torque | Service Factor | Overhung Load | Column Entry 1 - 20 Spaces to be filled when entering order | Weight of Base Mount unit | Motor Size |
| 38 | 36.43 | 44 | 3.98 | 5286 | C 0 4 2 1 3 6 . _ M _ - - - . 2 5 A - - | 18.5 | 71 |
| 36 | 39.26 | 47 | 3.78 | 5286 | 4 0 . | | |
| 31 | 45.50 | 61 | 3.35 | 5285 | 4 5 . | | |
| 26 | 53.31 | 71 | 2.92 | 5281 | 5 0 . | | |
| 25 | 56.19 | 66 | 2.96 | 5283 | 5 6 . | | |
| 22 | 64.21 | 74 | 2.70 | 5281 | 6 3 . | | |
| 19 | 74.55 | 98 | 2.09 | 5277 | 7 1 . | | |
| 17 | 82.83 | 109 | 1.76 | 5277 | 8 0 . | | |
| 16 | 86.67 | 99 | 2.29 | 5284 | 9 0 . | | |
| 14 | 101.54 | 114 | 2.04 | 5279 | 1 0 0 | | |
| 12 | 114.33 | 147 | 0.88 | 5269 | 1 1 2 | | |
| 10 | 142.00 | 156 | 1.61 | 5269 | 1 4 0 | | |
| 8.9 | 157.78 | 172 | 1.49 | 5264 | 1 6 0 | | |
| 6.4 | 217.78 | 233 | 0.88 | 5250 | 2 1 2 | | |
| 13 | 105.36 | 135 | 1.50 | 5271 | C 0 4 3 1 1 0 0 _ M _ - - - . 2 5 A - - | 21.5 | 71 |
| 12 | 120.39 | 154 | 1.31 | 5268 | 1 1 8 | | |
| 11 | 130.10 | 142 | 1.68 | 5271 | 1 3 2 | | |
| 10 | 140.21 | 152 | 1.61 | 5269 | 1 5 0 | | |
| 8.6 | 162.50 | 206 | 0.97 | 5258 | 1 6 0 | | |
| 7.4 | 190.38 | 239 | 0.83 | 5248 | 1 8 0 | | |
| 7.0 | 200.68 | 213 | 1.29 | 5258 | 2 0 0 | | |
| 6.1 | 229.32 | 243 | 1.14 | 5250 | 2 2 5 | | |
| 19 | 73.37 | 99 | 3.83 | 7437 | C 0 5 2 1 7 1 . _ M _ - - - . 2 5 A - - | 21.5 | 71 |
| 17 | 82.67 | 111 | 3.45 | 7436 | 8 0 . | | |
| 13 | 109.07 | 145 | 2.70 | 7435 | 1 1 2 | | |
| 11 | 124.00 | 164 | 2.34 | 7436 | 1 2 5 | | |
| 10 | 142.00 | 162 | 2.97 | 7436 | 1 4 0 | | |
| 8.8 | 160.00 | 181 | 2.65 | 7431 | 1 6 0 | | |
| 6.6 | 211.11 | 235 | 2.04 | 7425 | 2 1 2 | | |
| 5.8 | 240.00 | 265 | 1.82 | 7434 | 2 5 0 | | |
| 13 | 103.90 | 137 | 2.91 | 7433 | C 0 5 3 1 1 0 0 _ M _ - - - . 2 5 A - - | 25.5 | 71 |
| 12 | 118.73 | 156 | 2.55 | 7430 | 1 1 8 | | |
| 11 | 130.38 | 148 | 3.25 | 7432 | 1 3 2 | | |
| 10 | 140.51 | 159 | 3.03 | 7430 | 1 5 0 | | |
| 8.7 | 160.26 | 209 | 1.89 | 7427 | 1 6 0 | | |
| 7.5 | 187.76 | 243 | 1.61 | 7427 | 1 8 0 | | |
| 7.0 | 201.10 | 222 | 2.16 | 7430 | 2 0 0 | | |
| 6.1 | 229.81 | 253 | 1.90 | 7427 | 2 2 5 | | |
| 5.3 | 262.58 | 335 | 1.16 | 7424 | 2 6 5 | | |
| 4.8 | 291.75 | 372 | 1.04 | 7419 | 2 8 0 | | |
| 4.5 | 310.18 | 335 | 1.44 | 7424 | 3 1 5 | | |
| 3.9 | 363.40 | 390 | 1.24 | 7414 | 3 6 0 | | |
| 2.8 | 508.21 | 535 | 0.90 | 7400 | 5 0 0 | | |
| 11 | 124.00 | 173 | 3.05 | 11838 | C 0 6 2 1 1 2 5 _ M _ - - - . 2 5 A - - | 34.5 | 71 |
| 6.5 | 214.00 | 252 | 3.03 | 11817 | 2 1 2 | | |
| 5.8 | 240.00 | 280 | 2.73 | 11796 | 2 5 0 | | |
| 8.2 | 169.81 | 234 | 3.27 | 11817 | C 0 6 3 1 1 6 0 _ M _ - - - . 2 5 A - - | 39.5 | 71 |
| 7.6 | 184.62 | 253 | 3.02 | 11796 | 1 8 0 | | |
| 5.3 | 265.95 | 360 | 2.12 | 11748 | 2 6 5 | | |
| 4.7 | 299.67 | 404 | 1.89 | 11644 | 2 8 0 | | |
| 4.3 | 328.67 | 374 | 2.05 | 11744 | 3 1 5 | | |
| 3.9 | 357.32 | 404 | 1.89 | 11744 | 3 6 0 | | |
| 3.5 | 395.39 | 530 | 1.44 | 11592 | 4 0 0 | | |
| 3.1 | 449.50 | 599 | 1.28 | 11500 | 4 5 0 | | |
| 2.7 | 514.75 | 569 | 1.34 | 11600 | 5 0 0 | | |
| 2.4 | 580.00 | 637 | 1.20 | 11600 | 5 6 0 | | |
| 5.6 | 249.94 | 354 | 3.78 | 29152 | C 0 7 3 1 2 6 5 _ M _ - - - . 2 5 A - - | 86.5 | 71 |
| 5.1 | 273.68 | 386 | 3.46 | 29143 | 2 8 0 | | |
| 4.4 | 319.95 | 422 | 3.01 | 28013 | 3 1 5 | | |
| 4.1 | 341.61 | 449 | 2.82 | 26909 | 3 6 0 | | |
| 3.7 | 373.83 | 522 | 2.56 | 26449 | 4 0 0 | | |
| 3.3 | 419.25 | 584 | 2.29 | 29117 | 4 5 0 | | |
| 2.8 | 499.88 | 651 | 1.95 | 29096 | 5 0 0 | | |
| 2.6 | 547.35 | 710 | 1.79 | 29096 | 5 6 0 | | |
| 1.9 | 747.66 | 953 | 1.32 | 29048 | 8 0 0 | | |
| 1.7 | 838.50 | 1066 | 1.18 | 29018 | 9 0 0 | | |
| 1.4 | 1009.20 | 1375 | 0.97 | 28931 | C 0 7 4 1 1 0 C _ M _ - - - . 2 5 A - - | 90.5 | 71 |
| 1.3 | 1097.19 | 1494 | 0.90 | 28931 | 1 1 C | | |
| 1.2 | 1213.28 | 1632 | 0.82 | 28931 | 1 2 C | | |
| 2.6 | 547.09 | 760 | 3.57 | 41656 | C 0 8 4 1 5 6 0 _ M _ - - - . 2 5 A - - | 143.5 | 71 |
| 2.2 | 636.31 | 883 | 3.07 | 41656 | 6 3 0 | | |
| 2.0 | 711.92 | 986 | 2.75 | 41656 | 7 1 0 | | |
| 1.8 | 758.79 | 1052 | 2.58 | 41656 | 8 0 0 | | |
| 1.6 | 899.27 | 1245 | 2.18 | 41656 | 9 0 0 | | |
| 1.5 | 960.14 | 1328 | 2.04 | 41656 | 1 0 C | | |
| 1.3 | 1083.79 | 1493 | 1.90 | 41656 | 1 1 C | | |
| 1.2 | 1191.45 | 1643 | 1.65 | 41656 | 1 2 C | | |
| 0.99 | 1404.96 | 1932 | 1.41 | 41656 | 1 4 C | | |

NOTE:

Other output speeds are available using 2 & 8 pole motors. Please contact our Application Engineers

SERIES C SELECTION TABLE GEARED MOTORS

0.25 kW
4 POLE

0.25 kW
6 POLE

| N2 RPM | i | M2 Nm | Fm | N | Unit Designation | kg | |
|--------------|---------|---------------|----------------|---------------|--|---------------------------|------------|
| Output Speed | Ratio | Output Torque | Service Factor | Overhung Load | Column Entry 1 - 20 Spaces to be filled when entering order | Weight of Base Mount unit | Motor Size |
| 0.91 | 1532.14 | 2085 | 1.57 | 41545 | C 0 8 4 1 1 6 C _ M _ _ _ . 2 5 A _ _ | 143.5 | 71 |
| 0.74 | 1901.25 | 2582 | 1.27 | 41545 | 1 8 C | | |
| 0.67 | 2088.45 | 2826 | 1.19 | 41545 | 2 0 C | | |
| 0.62 | 2241.96 | 3039 | 1.08 | 41545 | 2 2 C | | |
| 0.57 | 2462.71 | 3326 | 1.01 | 41545 | 2 5 C | | |
| 0.52 | 2696.62 | 3637 | 0.92 | 41545 | 2 8 C | | |
| 1.5 | 917.87 | 1298 | 3.68 | 53383 | C 0 9 4 1 9 0 0 _ M _ _ _ . 2 5 A _ _ | 211.5 | 71 |
| 1.4 | 980.00 | 1385 | 3.45 | 53383 | 1 0 C | | |
| 1.3 | 1088.78 | 1533 | 3.14 | 53383 | 1 1 C | | |
| 1.2 | 1216.09 | 1713 | 2.79 | 53383 | 1 2 C | | |
| 0.98 | 1434.02 | 2015 | 2.37 | 53383 | 1 4 C | | |
| 0.91 | 1537.95 | 2137 | 2.30 | 53383 | 1 6 C | | |
| 0.73 | 1908.45 | 2646 | 1.86 | 53383 | 1 8 C | | |
| 0.66 | 2106.88 | 2914 | 1.70 | 53383 | 2 0 C | | |
| 0.62 | 2250.46 | 3113 | 1.58 | 53383 | 2 2 C | | |
| 0.56 | 2484.44 | 3429 | 1.44 | 53383 | 2 5 C | | |
| 0.51 | 2720.42 | 3749 | 1.32 | 53383 | 2 8 C | | |
| 0.42 | 3333.96 | 4578 | 1.08 | 53383 | 3 2 C | | |
| 0.37 | 3774.96 | 5168 | 0.95 | 53383 | 3 6 C | | |
| 105 | 8.59 | 18 | 4.72 | 2854 | C 0 3 2 1 8 . 0 _ M _ _ _ . 2 5 C _ _ | 15.5 | 71 |
| 78 | 11.61 | 24 | 3.86 | 2852 | 1 1 . | | |
| 68 | 13.20 | 28 | 3.49 | 2851 | 1 2 . | | |
| 60 | 14.95 | 31 | 3.20 | 2850 | 1 4 . | | |
| 55 | 16.36 | 30 | 3.11 | 2850 | 1 6 . | | |
| 47 | 19.12 | 40 | 2.67 | 2839 | 1 8 . | | |
| 44 | 20.61 | 43 | 2.54 | 2838 | 2 0 . | | |
| 41 | 22.11 | 40 | 2.54 | 2839 | 2 2 . | | |
| 36 | 25.14 | 46 | 2.32 | 2837 | 2 5 . | | |
| 32 | 28.48 | 52 | 2.13 | 2835 | 2 8 . | | |
| 27 | 33.71 | 70 | 1.79 | 2829 | 3 2 . | | |
| 25 | 36.43 | 65 | 1.79 | 2831 | 3 6 . | | |
| 23 | 39.26 | 70 | 1.70 | 2829 | 4 0 . | | |
| 20 | 45.50 | 93 | 1.48 | 2812 | 4 5 . | | |
| 17 | 53.31 | 108 | 1.34 | 2799 | 5 0 . | | |
| 16 | 56.19 | 98 | 1.33 | 2812 | 5 6 . | | |
| 14 | 64.21 | 111 | 1.21 | 2799 | 6 3 . | | |
| 12 | 74.55 | 149 | 1.00 | 2778 | 7 1 . | | |
| 11 | 82.83 | 164 | 0.9 | 2773 | 8 0 . | | |
| 10 | 86.67 | 147 | 1.01 | 2788 | 9 0 . | | |
| 8.9 | 101.54 | 170 | 0.87 | 2770 | 1 0 0 | | |
| 36 | 25.14 | 47 | 3.70 | 5285 | C 0 4 2 1 2 5 . _ M _ _ _ . 2 5 C _ _ | 18.5 | 71 |
| 32 | 28.48 | 53 | 3.40 | 5284 | 2 8 . | | |
| 27 | 33.71 | 70 | 2.95 | 5281 | 3 2 . | | |
| 25 | 36.43 | 67 | 2.86 | 5283 | 3 6 . | | |
| 23 | 39.26 | 71 | 2.73 | 5282 | 4 0 . | | |
| 20 | 45.50 | 94 | 2.19 | 5279 | 4 5 . | | |
| 17 | 53.31 | 109 | 1.88 | 5277 | 5 0 . | | |
| 16 | 56.19 | 100 | 2.13 | 5279 | 5 6 . | | |
| 14 | 64.21 | 113 | 1.94 | 5275 | 6 3 . | | |
| 12 | 74.55 | 150 | 1.35 | 5271 | 7 1 . | | |
| 11 | 82.83 | 166 | 1.13 | 5265 | 8 0 . | | |
| 10 | 86.67 | 150 | 1.64 | 5269 | 9 0 . | | |
| 8.9 | 101.54 | 174 | 1.46 | 5264 | 1 0 0 | | |
| 6.3 | 142.00 | 238 | 1.17 | 5253 | 1 4 0 | | |
| 5.7 | 157.78 | 262 | 1.06 | 5243 | 1 6 0 | | |
| 8.5 | 105.36 | 208 | 0.96 | 5259 | C 0 4 3 1 1 0 0 _ M _ _ _ . 2 5 C _ _ | 21.5 | 71 |
| 7.5 | 120.39 | 237 | 0.84 | 5253 | 1 1 8 | | |
| 6.9 | 130.10 | 216 | 1.26 | 5256 | 1 3 2 | | |
| 6.4 | 140.21 | 233 | 1.19 | 5253 | 1 5 0 | | |
| 4.5 | 200.68 | 326 | 0.85 | 5228 | 2 0 0 | | |
| 12 | 73.37 | 152 | 2.62 | 7432 | C 0 5 2 1 7 1 . _ M _ _ _ . 2 5 C _ _ | 21.5 | 71 |
| 11 | 82.67 | 170 | 2.33 | 7430 | 8 0 . | | |
| 10 | 90.67 | 162 | 2.97 | 7430 | 9 0 . | | |
| 9.1 | 98.57 | 175 | 2.74 | 7429 | 1 0 0 | | |
| 8.3 | 109.07 | 223 | 1.73 | 7427 | 1 1 2 | | |
| 7.3 | 124.00 | 252 | 1.51 | 7427 | 1 2 5 | | |
| 6.3 | 142.00 | 246 | 1.95 | 7427 | 1 4 0 | | |
| 5.6 | 160.00 | 275 | 1.75 | 7421 | 1 6 0 | | |
| 4.3 | 211.11 | 359 | 1.34 | 5904 | 2 1 2 | | |
| 3.8 | 240.00 | 404 | 1.19 | 7414 | 2 5 0 | | |
| 8.7 | 103.90 | 211 | 1.87 | 6567 | C 0 5 3 1 1 0 0 _ M _ _ _ . 2 5 C _ _ | 25.5 | 71 |
| 7.6 | 118.73 | 240 | 1.63 | 6453 | 1 1 8 | | |
| 6.9 | 130.38 | 225 | 2.13 | 6453 | 1 3 2 | | |
| 6.4 | 140.51 | 242 | 1.99 | 6453 | 1 5 0 | | |

NOTE:
Other output speeds are available using 2 & 8 pole motors. Please contact our Application Engineers

SERIES C SELECTION TABLE GEARED MOTORS

0.25 kW
6 POLE

| N2 RPM | i | M2 Nm | Fm | N | Unit Designation | kg | |
|--------------|---------|---------------|----------------|---------------|--|---------------------------|------------|
| Output Speed | Ratio | Output Torque | Service Factor | Overhung Load | Column Entry 1 - 20 Spaces to be filled when entering order | Weight of Base Mount unit | Motor Size |
| 5.6 | 160.26 | 320 | 1.22 | 5904 | C 0 5 3 1 1 6 0 _ M _ _ _ _ . 2 5 C - - | 25.5 | 71 |
| 4.8 | 187.76 | 374 | 1.03 | 7412 | 1 8 0 | | |
| 4.5 | 201.10 | 340 | 1.42 | 7418 | 2 0 0 | | |
| 3.9 | 229.81 | 385 | 1.25 | 7412 | 2 2 5 | | |
| 2.9 | 310.18 | 512 | 0.94 | 7403 | 3 1 5 | | |
| 2.5 | 363.40 | 595 | 0.81 | 6691 | 3 6 0 | | |
| 11 | 80.94 | 176 | 3.9 | 11834 | C 0 6 2 1 8 0 . _ M _ _ _ _ . 2 5 C - - | 34.5 | 71 |
| 8.1 | 110.57 | 239 | 2.99 | 11807 | 1 1 2 | | |
| 7.3 | 124.00 | 266 | 1.96 | 11796 | 1 2 5 | | |
| 6.3 | 143.08 | 263 | 2.91 | 11817 | 1 4 0 | | |
| 5.7 | 156.67 | 286 | 2.67 | 11796 | 1 6 0 | | |
| 4.2 | 214.00 | 383 | 2.00 | 11755 | 2 1 2 | | |
| 3.8 | 240.00 | 426 | 1.8 | 11734 | 2 5 0 | | |
| 5.3 | 169.81 | 360 | 2.13 | 11755 | C 0 6 3 1 1 6 0 _ M _ _ _ _ . 2 5 C - - | 39.5 | 71 |
| 4.9 | 184.62 | 390 | 1.96 | 11734 | 1 8 0 | | |
| 3.4 | 265.95 | 555 | 1.38 | 11588 | 2 6 5 | | |
| 3.0 | 299.67 | 622 | 1.23 | 11540 | 2 8 0 | | |
| 2.7 | 328.67 | 568 | 1.35 | 11592 | 3 1 5 | | |
| 2.5 | 357.32 | 615 | 1.25 | 11592 | 3 6 0 | | |
| 2.3 | 395.39 | 817 | 0.94 | 11388 | 4 0 0 | | |
| 2.0 | 449.50 | 924 | 0.83 | 11300 | 4 5 0 | | |
| 1.7 | 514.75 | 869 | 0.88 | 11400 | 5 0 0 | | |
| 5.6 | 159.98 | 353 | 3.79 | 29152 | C 0 7 3 1 1 6 0 _ M _ _ _ _ . 2 5 C - - | 86.5 | 71 |
| 5.3 | 170.81 | 377 | 3.55 | 29152 | 1 8 0 | | |
| 4.6 | 194.65 | 404 | 3.14 | 29143 | 2 0 0 | | |
| 4.0 | 226.39 | 465 | 2.73 | 29158 | 2 2 5 | | |
| 3.6 | 249.94 | 545 | 2.46 | 29138 | 2 6 5 | | |
| 3.3 | 273.68 | 595 | 2.25 | 29117 | 2 8 0 | | |
| 2.8 | 319.95 | 651 | 1.95 | 29117 | 3 1 5 | | |
| 2.6 | 341.61 | 693 | 1.83 | 29096 | 3 6 0 | | |
| 2.4 | 373.83 | 806 | 1.66 | 29079 | 4 0 0 | | |
| 2.1 | 419.25 | 900 | 1.49 | 29079 | 4 5 0 | | |
| 1.8 | 499.88 | 997 | 1.26 | 29048 | 5 0 0 | | |
| 1.6 | 547.35 | 1087 | 1.16 | 29018 | 5 6 0 | | |
| 1.2 | 747.66 | 1473 | 0.86 | 28940 | 8 0 0 | | |
| 1.6 | 547.09 | 1183 | 2.29 | 41656 | C 0 8 4 1 5 6 0 _ M _ _ _ _ . 2 5 C - - | 143.5 | 71 |
| 1.4 | 636.31 | 1374 | 1.98 | 41656 | 6 3 0 | | |
| 1.3 | 711.92 | 1534 | 1.77 | 41656 | 7 1 0 | | |
| 1.2 | 758.79 | 1635 | 1.66 | 41656 | 8 0 0 | | |
| 1.0 | 899.27 | 1933 | 1.40 | 41656 | 9 0 0 | | |
| 0.94 | 960.14 | 2061 | 1.32 | 41656 | 1 0 C | | |
| 0.83 | 1083.79 | 2318 | 1.23 | 41656 | 1 1 C | | |
| 0.76 | 1191.45 | 2546 | 1.07 | 41656 | 1 2 C | | |
| 0.64 | 1404.96 | 2989 | 0.91 | 41656 | 1 4 C | | |
| 0.59 | 1532.14 | 3243 | 1.01 | 41545 | 1 6 C | | |
| 0.47 | 1901.25 | 4010 | 0.82 | 41545 | 1 8 C | | |
| 1.6 | 558.41 | 1233 | 3.88 | 53383 | C 0 9 4 1 5 6 0 _ M _ _ _ _ . 2 5 C - - | 211.5 | 71 |
| 1.4 | 649.47 | 1432 | 3.34 | 53383 | 6 3 0 | | |
| 1.2 | 726.65 | 1598 | 2.99 | 53383 | 7 1 0 | | |
| 1.2 | 774.48 | 1704 | 2.80 | 53383 | 8 0 0 | | |
| 0.98 | 917.87 | 2015 | 2.37 | 53383 | 9 0 0 | | |
| 0.92 | 980.00 | 2149 | 2.22 | 53383 | 1 0 C | | |
| 0.83 | 1088.78 | 2379 | 2.02 | 53383 | 1 1 C | | |
| 0.74 | 1216.09 | 2656 | 1.80 | 53383 | 1 2 C | | |
| 0.63 | 1434.02 | 3120 | 1.53 | 53383 | 1 4 C | | |
| 0.59 | 1537.95 | 3321 | 1.48 | 53383 | 1 6 C | | |
| 0.47 | 1908.45 | 4108 | 1.20 | 53383 | 1 8 C | | |
| 0.43 | 2106.88 | 4525 | 1.09 | 53383 | 2 0 C | | |
| 0.40 | 2250.46 | 4828 | 1.02 | 53383 | 2 2 C | | |
| 0.36 | 2484.44 | 5319 | 0.93 | 53383 | 2 5 C | | |
| 0.33 | 2720.42 | 5813 | 0.85 | 53383 | 2 8 C | | |
| 163 | 8.59 | 18 | 4.49 | 2852 | C 0 3 2 1 8 . 0 _ M _ _ _ _ . 3 7 A - - | 15.5 | 71 |
| 121 | 11.61 | 24 | 3.63 | 2850 | 1 1 . | | |
| 106 | 13.20 | 27 | 3.31 | 2849 | 1 2 . | | |
| 94 | 14.95 | 30 | 3.03 | 2849 | 1 4 . | | |
| 86 | 16.36 | 30 | 2.90 | 2847 | 1 6 . | | |
| 73 | 19.12 | 39 | 2.54 | 2844 | 1 8 . | | |
| 68 | 20.61 | 41 | 2.41 | 2844 | 2 0 . | | |
| 63 | 22.11 | 39 | 2.37 | 2844 | 2 2 . | | |
| 56 | 25.14 | 45 | 2.17 | 2840 | 2 5 . | | |
| 49 | 28.48 | 50 | 2.00 | 2840 | 2 8 . | | |
| 42 | 33.71 | 67 | 1.68 | 2826 | 3 2 . | | |
| 38 | 36.43 | 63 | 1.68 | 2826 | 3 6 . | | |

0.37 kW
4 POLE

NOTE:
Other output speeds are available using 2 & 8 pole motors. Please contact our Application Engineers

SERIES C SELECTION TABLE GEARED MOTORS

0.37 kW

4 POLE

| N2 RPM | i | M2 Nm | Fm | N | Unit Designation | kg | |
|--------------|--------|---------------|----------------|---------------|--|---------------------------|------------|
| Output Speed | Ratio | Output Torque | Service Factor | Overhung Load | Column Entry 1 - 20 Spaces to be filled when entering order | Weight of Base Mount unit | Motor Size |
| 36 | 39.26 | 68 | 1.60 | 2826 | C 0 3 2 1 4 0 . _ M _ _ _ . . 3 7 A - - | 15.5 | 71 |
| 31 | 45.50 | 90 | 1.35 | 2815 | 4 5 . | | |
| 26 | 53.31 | 104 | 1.21 | 2805 | 5 0 . | | |
| 25 | 56.19 | 96 | 1.25 | 2815 | 5 6 . | | |
| 22 | 64.21 | 108 | 1.14 | 2799 | 6 3 . | | |
| 19 | 74.55 | 143 | 0.99 | 2780 | 7 1 . | | |
| 17 | 82.83 | 159 | 0.92 | 2780 | 8 0 . | | |
| 16 | 86.67 | 143 | 0.97 | 2780 | 9 0 . | | |
| 63 | 22.11 | 41 | 3.78 | 5286 | C 0 4 2 1 2 2 . _ M _ _ _ . . 3 7 A - - | 18.5 | 71 |
| 56 | 25.14 | 46 | 3.47 | 5284 | 2 5 . | | |
| 49 | 28.48 | 52 | 3.21 | 5284 | 2 8 . | | |
| 42 | 33.71 | 68 | 2.82 | 5280 | 3 2 . | | |
| 38 | 36.43 | 65 | 2.69 | 5282 | 3 6 . | | |
| 36 | 39.26 | 70 | 2.55 | 5282 | 4 0 . | | |
| 31 | 45.50 | 91 | 2.26 | 5282 | 4 5 . | | |
| 26 | 53.31 | 105 | 1.97 | 5274 | 5 0 . | | |
| 25 | 56.19 | 98 | 2.00 | 5278 | 5 6 . | | |
| 22 | 64.21 | 110 | 1.82 | 5274 | 6 3 . | | |
| 19 | 74.55 | 145 | 1.41 | 5266 | 7 1 . | | |
| 17 | 82.83 | 161 | 1.19 | 5266 | 8 0 . | | |
| 16 | 86.67 | 146 | 1.54 | 5280 | 9 0 . | | |
| 14 | 101.54 | 169 | 1.38 | 5270 | 1 0 0 | | |
| 10 | 142.00 | 232 | 1.09 | 5250 | 1 4 0 | | |
| 8.9 | 157.78 | 255 | 1.00 | 5240 | 1 6 0 | | |
| 13 | 105.36 | 200 | 1.02 | 5255 | C 0 4 3 1 1 0 0 _ M _ _ _ . . 3 7 A - - | 21.5 | 71 |
| 12 | 120.39 | 228 | 0.89 | 5249 | 1 1 8 | | |
| 11 | 130.10 | 210 | 1.14 | 5255 | 1 3 2 | | |
| 10 | 140.21 | 225 | 1.09 | 5250 | 1 5 0 | | |
| 7.0 | 200.68 | 316 | 0.87 | 5230 | 2 0 0 | | |
| 19 | 73.37 | 147 | 2.59 | 7434 | C 0 5 2 1 7 1 . _ M _ _ _ . . 3 7 A - - | 21.5 | 71 |
| 17 | 82.67 | 165 | 2.33 | 7432 | 8 0 . | | |
| 15 | 90.67 | 159 | 3.00 | 7432 | 9 0 . | | |
| 14 | 98.57 | 171 | 2.82 | 7429 | 1 0 0 | | |
| 13 | 109.07 | 215 | 1.82 | 7432 | 1 1 2 | | |
| 11 | 124.00 | 243 | 1.58 | 7434 | 1 2 5 | | |
| 10 | 142.00 | 240 | 2.00 | 7434 | 1 4 0 | | |
| 8.8 | 160.00 | 268 | 1.79 | 7424 | 1 6 0 | | |
| 6.6 | 211.11 | 349 | 1.38 | 7412 | 2 1 2 | | |
| 5.8 | 240.00 | 392 | 1.23 | 7430 | 2 5 0 | | |
| 13 | 103.90 | 204 | 1.96 | 7427 | C 0 5 3 1 1 0 0 _ M _ _ _ . . 3 7 A - - | 25.5 | 71 |
| 12 | 118.73 | 232 | 1.72 | 7422 | 1 1 8 | | |
| 11 | 130.38 | 219 | 2.19 | 7424 | 1 3 2 | | |
| 10 | 140.51 | 235 | 2.05 | 7422 | 1 5 0 | | |
| 8.7 | 160.26 | 309 | 1.28 | 7416 | 1 6 0 | | |
| 7.5 | 187.76 | 360 | 1.09 | 7416 | 1 8 0 | | |
| 7.0 | 201.10 | 329 | 1.46 | 7422 | 2 0 0 | | |
| 6.1 | 229.81 | 374 | 1.29 | 7416 | 2 2 5 | | |
| 4.5 | 310.18 | 496 | 0.97 | 7410 | 3 1 5 | | |
| 3.9 | 363.40 | 577 | 0.84 | 7390 | 3 6 0 | | |
| 17 | 80.94 | 171 | 3.55 | 11909 | C 0 6 2 1 8 0 . _ M _ _ _ . . 3 7 A - - | 34.5 | 71 |
| 13 | 110.57 | 230 | 2.74 | 11797 | 1 1 2 | | |
| 11 | 124.00 | 257 | 2.06 | 11780 | 1 2 5 | | |
| 10 | 143.08 | 257 | 2.97 | 11780 | 1 4 0 | | |
| 8.9 | 156.67 | 279 | 2.74 | 11780 | 1 6 0 | | |
| 6.5 | 214.00 | 373 | 2.05 | 11741 | 2 1 2 | | |
| 5.8 | 240.00 | 415 | 1.84 | 11701 | 2 5 0 | | |
| 8.2 | 169.81 | 346 | 2.21 | 11741 | C 0 6 3 1 1 6 0 _ M _ _ _ . . 3 7 A - | 39.5 | 71 |
| 7.6 | 184.62 | 375 | 2.04 | 11701 | 1 8 0 | | |
| 5.3 | 265.95 | 533 | 1.44 | 11609 | 2 6 5 | | |
| 4.7 | 299.67 | 599 | 1.28 | 11500 | 2 8 0 | | |
| 4.3 | 328.67 | 553 | 1.38 | 11600 | 3 1 5 | | |
| 3.9 | 357.32 | 599 | 1.28 | 11600 | 3 6 0 | | |
| 3.5 | 395.39 | 784 | 0.98 | 11400 | 4 0 0 | | |
| 8.8 | 159.98 | 340 | 3.94 | 29139 | C 0 7 3 1 1 6 0 _ M _ _ _ . . 3 7 A - - | 86.5 | 71 |
| 8.2 | 170.81 | 361 | 3.71 | 29145 | 1 8 0 | | |
| 7.2 | 194.65 | 389 | 3.05 | 29145 | 2 0 0 | | |
| 6.2 | 226.39 | 449 | 2.71 | 29127 | 2 2 5 | | |
| 5.6 | 249.94 | 523 | 2.56 | 29109 | 2 6 5 | | |
| 5.1 | 273.68 | 572 | 2.34 | 29091 | 2 8 0 | | |
| 4.4 | 319.95 | 624 | 2.03 | 26917 | 3 1 5 | | |
| 4.1 | 341.61 | 665 | 1.91 | 24796 | 3 6 0 | | |
| 3.7 | 373.83 | 773 | 1.73 | 23910 | 4 0 0 | | |
| 3.3 | 419.25 | 864 | 1.55 | 29041 | 4 5 0 | | |
| 2.8 | 499.88 | 963 | 1.32 | 29001 | 5 0 0 | | |
| 2.6 | 547.35 | 1051 | 1.21 | 29001 | 5 6 0 | | |
| 1.9 | 747.66 | 1411 | 0.89 | 28909 | 8 0 0 | | |
| 2.6 | 547.09 | 1125 | 2.41 | 41656 | C 0 8 4 1 5 6 0 _ M _ _ _ . . 3 7 A - - | 143.5 | 71 |
| 2.2 | 636.31 | 1307 | 2.08 | 41656 | 6 3 0 | | |
| 2.0 | 711.92 | 1460 | 1.86 | 41656 | 7 1 0 | | |
| 1.8 | 758.79 | 1557 | 1.74 | 41656 | 8 0 0 | | |

NOTE:

Other output speeds are available using 2 & 8 pole motors. Please contact our Application Engineers

SERIES C SELECTION TABLE GEARED MOTORS

0.37 kW

4 POLE

0.37 kW

6 POLE

| N2 RPM | i | M2 Nm | Fm | N | Unit Designation | kg | |
|-----------------|---------|------------------|-------------------|------------------|--|------------------------------|---------------|
| Output Speed | Ratio | Output Torque | Service Factor | Overhung Load | Column Entry 1 - 20 Spaces to be filled when entering order | Weight of Base Mount unit | Motor Size |
| 1.6 | 899.27 | 1842 | 1.47 | 41656 | C 0 8 4 1 9 0 0 _ M _ _ _ _ . 3 7 A - - | 143.5 | 71 |
| 1.5 | 960.14 | 1966 | 1.38 | 41656 | 1 0 C | | |
| 1.3 | 1083.79 | 2210 | 1.29 | 41656 | 1 1 C | | |
| 1.2 | 1191.45 | 2432 | 1.12 | 41656 | 1 2 C | | |
| 0.99 | 1404.96 | 2860 | 0.95 | 41656 | 1 4 C | | |
| 0.91 | 1532.14 | 3086 | 1.06 | 41545 | 1 6 C | | |
| 0.74 | 1901.25 | 3822 | 0.86 | 41545 | 1 8 C | | |
| 0.67 | 2088.45 | 4183 | 0.80 | 41545 | 2 0 C | | |
| 2.2 | 649.47 | 1363 | 3.51 | 53383 | C 0 9 4 1 6 3 0 _ M _ _ _ _ . 3 7 A - - | 211.5 | 71 |
| 1.9 | 726.65 | 1522 | 3.14 | 53383 | 7 1 0 | | |
| 1.8 | 774.48 | 1624 | 2.94 | 53383 | 8 0 0 | | |
| 1.5 | 917.87 | 1921 | 2.49 | 53383 | 9 0 0 | | |
| 1.4 | 980.00 | 2050 | 2.33 | 53383 | 1 0 C | | |
| 1.3 | 1088.78 | 2268 | 2.12 | 53383 | 1 1 C | | |
| 1.2 | 1216.09 | 2536 | 1.88 | 53383 | 1 2 C | | |
| 0.98 | 1434.02 | 2983 | 1.60 | 53383 | 1 4 C | | |
| 0.91 | 1537.95 | 3163 | 1.56 | 53383 | 1 6 C | | |
| 0.73 | 1908.45 | 3916 | 1.26 | 53383 | 1 8 C | | |
| 0.66 | 2106.88 | 4313 | 1.15 | 53383 | 2 0 C | | |
| 0.62 | 2250.46 | 4608 | 1.07 | 53383 | 2 2 C | | |
| 0.56 | 2484.44 | 5075 | 0.98 | 53383 | 2 5 C | | |
| 0.51 | 2720.42 | 5549 | 0.89 | 53383 | 2 8 C | | |
| 107 | 8.59 | 27 | 3.26 | 2849 | C 0 3 2 1 8 . 0 _ M _ _ _ _ . 3 7 C - - | 19.5 | 80A |
| 79 | 11.61 | 36 | 2.67 | 2845 | 1 1 . | | |
| 70 | 13.20 | 41 | 2.41 | 2843 | 1 2 . | | |
| 62 | 14.95 | 46 | 2.21 | 2841 | 1 4 . | | |
| 56 | 16.36 | 44 | 2.15 | 2842 | 1 6 . | | |
| 48 | 19.12 | 58 | 1.84 | 2829 | 1 8 . | | |
| 45 | 20.61 | 62 | 1.75 | 2827 | 2 0 . | | |
| 42 | 22.11 | 59 | 1.75 | 2829 | 2 2 . | | |
| 37 | 25.14 | 66 | 1.60 | 2826 | 2 5 . | | |
| 32 | 28.48 | 75 | 1.47 | 2822 | 2 8 . | | |
| 27 | 33.71 | 101 | 1.23 | 2810 | 3 2 . | | |
| 25 | 36.43 | 94 | 1.24 | 2814 | 3 6 . | | |
| 23 | 39.26 | 102 | 1.18 | 2810 | 4 0 . | | |
| 20 | 45.50 | 134 | 1.02 | 2787 | 4 5 . | | |
| 17 | 53.31 | 156 | 0.92 | 2771 | 5 0 . | | |
| 16 | 56.19 | 142 | 0.92 | 2787 | 5 6 . | | |
| 14 | 64.21 | 161 | 0.84 | 2771 | 6 3 . | | |
| 62 | 14.95 | 47 | 3.68 | 5283 | C 0 4 2 1 1 4 . _ M _ _ _ _ . 3 7 C - - | 22.5 | 80A |
| 56 | 16.36 | 45 | 3.44 | 5283 | 1 6 . | | |
| 48 | 19.12 | 59 | 3.06 | 5282 | 1 8 . | | |
| 45 | 20.61 | 63 | 2.93 | 5280 | 2 0 . | | |
| 42 | 22.11 | 60 | 2.80 | 5280 | 2 2 . | | |
| 37 | 25.14 | 68 | 2.55 | 5280 | 2 5 . | | |
| 32 | 28.48 | 77 | 2.35 | 5279 | 2 8 . | | |
| 27 | 33.71 | 102 | 2.04 | 5273 | 3 2 . | | |
| 25 | 36.43 | 97 | 1.98 | 5277 | 3 6 . | | |
| 23 | 39.26 | 104 | 1.88 | 5274 | 4 0 . | | |
| 20 | 45.50 | 136 | 1.52 | 5270 | 4 5 . | | |
| 17 | 53.31 | 159 | 1.30 | 5266 | 5 0 . | | |
| 16 | 56.19 | 145 | 1.47 | 5270 | 5 6 . | | |
| 14 | 64.21 | 164 | 1.34 | 5262 | 6 3 . | | |
| 12 | 74.55 | 218 | 0.93 | 5255 | 7 1 . | | |
| 11 | 86.67 | 217 | 1.13 | 5250 | 9 0 . | | |
| 9.1 | 101.54 | 252 | 1.01 | 5240 | 1 0 0 | | |
| 6.5 | 142.00 | 345 | 0.81 | 5220 | 1 4 0 | | |
| 7.1 | 130.10 | 313 | 0.87 | 5226 | C 0 4 3 1 1 3 2 _ M _ _ _ _ . 3 7 C - - | 25.5 | 80A |
| 6.6 | 140.21 | 337 | 0.82 | 5220 | 1 5 0 | | |
| 28 | 32.55 | 101 | 3.81 | 7440 | C 0 5 2 1 3 2 . _ M _ _ _ _ . 3 7 C - - | 25.5 | 80A |
| 23 | 40.74 | 111 | 3.76 | 7440 | 4 0 . | | |
| 20 | 46.84 | 143 | 2.82 | 7440 | 4 5 . | | |
| 18 | 50.93 | 156 | 2.59 | 7440 | 5 0 . | | |
| 17 | 55.45 | 149 | 3.00 | 7440 | 5 6 . | | |
| 15 | 63.00 | 167 | 2.75 | 7440 | 6 3 . | | |
| 13 | 73.37 | 220 | 1.81 | 7424 | 7 1 . | | |
| 11 | 82.67 | 247 | 1.61 | 7422 | 8 0 . | | |
| 10 | 90.67 | 235 | 2.05 | 7422 | 9 0 . | | |
| 9.3 | 98.57 | 254 | 1.90 | 7419 | 1 0 0 | | |
| 8.4 | 109.07 | 324 | 1.20 | 7416 | 1 1 2 | | |
| 7.4 | 124.00 | 365 | 1.04 | 7416 | 1 2 5 | | |
| 6.5 | 142.00 | 357 | 1.35 | 7416 | 1 4 0 | | |
| 5.8 | 160.00 | 399 | 1.21 | 7404 | 1 6 0 | | |
| 4.4 | 211.11 | 519 | 0.93 | 4487 | 2 1 2 | | |
| 3.8 | 240.00 | 585 | 0.82 | 7390 | 2 5 0 | | |

NOTE:

Other output speeds are available using 2 & 8 pole motors. Please contact our Application Engineers

SERIES C SELECTION TABLE GEARED MOTORS

0.37 kW

6 POLE

| N2 RPM | i | M2 Nm | Fm | N | Unit Designation | kg | |
|--------------|---------|---------------|----------------|---------------|--|---------------------------|------------|
| Output Speed | Ratio | Output Torque | Service Factor | Overhung Load | Column Entry 1 - 20 Spaces to be filled when entering order | Weight of Base Mount unit | Motor Size |
| 8.9 | 103.90 | 306 | 1.29 | 5761 | C 0 5 3 1 1 0 0 _ M _ _ _ _ . 3 7 C - - | 29.5 | 80A |
| 7.7 | 118.73 | 348 | 1.13 | 5542 | 1 1 8 | | |
| 7.1 | 130.38 | 327 | 1.47 | 5542 | 1 3 2 | | |
| 6.5 | 140.51 | 350 | 1.38 | 5542 | 1 5 0 | | |
| 5.7 | 160.26 | 464 | 0.84 | 4487 | 1 6 0 | | |
| 4.6 | 201.10 | 492 | 0.98 | 7399 | 2 0 0 | | |
| 4.0 | 229.81 | 558 | 0.86 | 7387 | 2 2 5 | | |
| 12 | 73.92 | 236 | 3.24 | 11791 | C 0 6 2 1 7 1 . _ M _ _ _ _ . 3 7 C - - | 37.5 | 80A |
| 11 | 80.94 | 256 | 2.69 | 11773 | 8 0 . | | |
| 10 | 91.58 | 252 | 3.03 | 11873 | 9 0 . | | |
| 9.4 | 97.78 | 268 | 2.85 | 11773 | 1 0 0 | | |
| 8.3 | 110.57 | 346 | 2.06 | 11721 | 1 1 2 | | |
| 7.4 | 124.00 | 386 | 1.35 | 11701 | 1 2 5 | | |
| 6.4 | 143.08 | 381 | 2.01 | 11741 | 1 4 0 | | |
| 5.9 | 156.67 | 415 | 1.84 | 11701 | 1 6 0 | | |
| 4.3 | 214.00 | 554 | 1.38 | 11622 | 2 1 2 | | |
| 3.8 | 240.00 | 617 | 1.24 | 11582 | 2 5 0 | | |
| 8.9 | 103.86 | 324 | 2.36 | 11800 | C 0 6 3 1 1 0 0 _ M _ _ _ _ . 3 7 C - - | 43.5 | 80A |
| 7.8 | 117.99 | 366 | 2.09 | 11700 | 1 1 8 | | |
| 7.1 | 130.00 | 345 | 2.22 | 11800 | 1 3 2 | | |
| 6.2 | 147.69 | 389 | 1.97 | 11700 | 1 5 0 | | |
| 5.4 | 169.81 | 521 | 1.47 | 11622 | 1 6 0 | | |
| 5.0 | 184.62 | 565 | 1.35 | 11582 | 1 8 0 | | |
| 4.6 | 201.02 | 519 | 1.47 | 11600 | 2 0 0 | | |
| 4.0 | 228.38 | 585 | 1.31 | 11600 | 2 2 5 | | |
| 3.5 | 265.95 | 803 | 0.95 | 11393 | 2 6 5 | | |
| 3.1 | 299.67 | 901 | 0.85 | 11300 | 2 8 0 | | |
| 2.8 | 328.67 | 823 | 0.93 | 11400 | 3 1 5 | | |
| 2.6 | 357.32 | 890 | 0.86 | 11400 | 3 6 0 | | |
| 9.2 | 99.79 | 312 | 3.65 | 29200 | C 0 7 2 1 1 0 0 _ M _ _ _ _ . 3 7 C - - | 80.5 | 80A |
| 8.8 | 104.32 | 339 | 3.24 | 29200 | 1 1 2 | | |
| 7.9 | 115.92 | 375 | 2.93 | 29200 | 1 2 5 | | |
| 6.7 | 138.00 | 425 | 2.82 | 29200 | 1 4 0 | | |
| 6.1 | 151.12 | 461 | 2.64 | 29200 | 1 6 0 | | |
| 4.4 | 208.65 | 627 | 2.03 | 29200 | 2 1 2 | | |
| 4.0 | 231.83 | 693 | 1.83 | 29200 | 2 5 0 | | |
| 8.1 | 113.20 | 366 | 3.65 | 29139 | C 0 7 3 1 1 1 8 _ M _ _ _ _ . 3 7 C - - | 89.5 | 80A |
| 7.4 | 125.04 | 379 | 3.11 | 29200 | 1 3 2 | | |
| 6.5 | 141.75 | 432 | 2.80 | 29200 | 1 5 0 | | |
| 5.8 | 159.98 | 512 | 2.62 | 29109 | 1 6 0 | | |
| 5.4 | 170.81 | 546 | 2.45 | 29109 | 1 8 0 | | |
| 4.7 | 194.65 | 585 | 2.17 | 29091 | 2 0 0 | | |
| 4.1 | 226.39 | 673 | 1.89 | 29120 | 2 2 5 | | |
| 3.7 | 249.94 | 789 | 1.70 | 29080 | 2 6 5 | | |
| 3.4 | 273.68 | 862 | 1.55 | 29041 | 2 8 0 | | |
| 2.9 | 319.95 | 942 | 1.35 | 29041 | 3 1 5 | | |
| 2.7 | 341.61 | 1004 | 1.26 | 29001 | 3 6 0 | | |
| 2.5 | 373.83 | 1167 | 1.15 | 28967 | 4 0 0 | | |
| 2.2 | 419.25 | 1303 | 1.03 | 28967 | 4 5 0 | | |
| 1.8 | 499.88 | 1443 | 0.87 | 28909 | 5 0 0 | | |
| 1.7 | 547.35 | 1574 | 0.80 | 28851 | 5 6 0 | | |
| 3.9 | 235.77 | 712 | 3.68 | 41900 | C 0 8 2 1 2 5 0 _ M _ _ _ _ . 3 7 C - - | 130.5 | 80A |
| 1.7 | 547.09 | 1713 | 1.58 | 41656 | C 0 8 4 1 5 6 0 _ M _ _ _ _ . 3 7 C - - | 146.5 | 80A |
| 1.4 | 636.31 | 1990 | 1.36 | 41656 | 6 3 0 | | |
| 1.3 | 711.92 | 2221 | 1.22 | 41656 | 7 1 0 | | |
| 1.2 | 758.79 | 2368 | 1.15 | 41656 | 8 0 0 | | |
| 1.0 | 899.27 | 2798 | 0.97 | 41656 | 9 0 0 | | |
| 0.96 | 960.14 | 2984 | 0.91 | 41656 | 1 0 C | | |
| 0.85 | 1083.79 | 3357 | 0.85 | 41656 | 1 1 C | | |
| 1.6 | 558.41 | 1785 | 2.68 | 53383 | C 0 9 4 1 5 6 0 _ M _ _ _ _ . 3 7 C - - | 214.5 | 80A |
| 1.4 | 649.47 | 2073 | 2.31 | 53383 | 6 3 0 | | |
| 1.3 | 726.65 | 2314 | 2.07 | 53383 | 7 1 0 | | |
| 1.2 | 774.48 | 2468 | 1.94 | 53383 | 8 0 0 | | |
| 1.0 | 917.87 | 2917 | 1.64 | 53383 | 9 0 0 | | |
| 0.94 | 980.00 | 3112 | 1.54 | 53383 | 1 0 C | | |
| 0.84 | 1088.78 | 3445 | 1.40 | 53383 | 1 1 C | | |
| 0.76 | 1216.09 | 3846 | 1.24 | 53383 | 1 2 C | | |
| 0.64 | 1434.02 | 4518 | 1.06 | 53383 | 1 4 C | | |
| 0.60 | 1537.95 | 4809 | 1.02 | 53383 | 1 6 C | | |
| 0.48 | 1908.45 | 5947 | 0.83 | 53383 | 1 8 C | | |

NOTE:

Other output speeds are available using 2 & 8 pole motors. Please contact our Application Engineers

SERIES C SELECTION TABLE GEARED MOTORS

0.55 kW
4 POLE

| N2 RPM | i | M2 Nm | Fm | N | Unit Designation | kg | |
|--------------|--------|---------------|----------------|---------------|--|---------------------------|------------|
| Output Speed | Ratio | Output Torque | Service Factor | Overhung Load | Column Entry 1 - 20 Spaces to be filled when entering order | Weight of Base Mount unit | Motor Size |
| 165 | 8.59 | 26 | 3.06 | 2847 | C 0 3 2 1 8 . 0 _ M _ _ _ . 5 5 A - - | 19.5 | 80A |
| 122 | 11.61 | 35 | 2.47 | 2844 | 1 1 . | | |
| 108 | 13.20 | 39 | 2.26 | 2841 | 1 2 . | | |
| 95 | 14.95 | 45 | 2.07 | 2841 | 1 4 . | | |
| 87 | 16.36 | 44 | 1.98 | 2838 | 1 6 . | | |
| 74 | 19.12 | 57 | 1.73 | 2833 | 1 8 . | | |
| 69 | 20.61 | 61 | 1.64 | 2833 | 2 0 . | | |
| 64 | 22.11 | 58 | 1.62 | 2833 | 2 2 . | | |
| 56 | 25.14 | 66 | 1.48 | 2825 | 2 5 . | | |
| 50 | 28.48 | 74 | 1.36 | 2825 | 2 8 . | | |
| 42 | 33.71 | 98 | 1.15 | 2809 | 3 2 . | | |
| 39 | 36.43 | 93 | 1.15 | 2809 | 3 6 . | | |
| 36 | 39.26 | 100 | 1.09 | 2809 | 4 0 . | | |
| 31 | 45.50 | 132 | 0.92 | 2790 | 4 5 . | | |
| 27 | 53.31 | 153 | 0.83 | 2780 | 5 0 . | | |
| 25 | 56.19 | 140 | 0.85 | 2790 | 5 6 . | | |
| 108 | 13.20 | 40 | 3.76 | 5285 | C 0 4 2 1 1 2 . _ M _ _ _ . 5 5 A - - | 22.5 | 80A |
| 95 | 14.95 | 46 | 3.45 | 5283 | 1 4 . | | |
| 87 | 16.36 | 45 | 3.17 | 5283 | 1 6 . | | |
| 74 | 19.12 | 58 | 2.88 | 5283 | 1 8 . | | |
| 69 | 20.61 | 62 | 2.74 | 5283 | 2 0 . | | |
| 64 | 22.11 | 60 | 2.58 | 5283 | 2 2 . | | |
| 56 | 25.14 | 67 | 2.37 | 5280 | 2 5 . | | |
| 50 | 28.48 | 76 | 2.19 | 5280 | 2 8 . | | |
| 42 | 33.71 | 99 | 1.92 | 5274 | 3 2 . | | |
| 39 | 36.43 | 95 | 1.83 | 5276 | 3 6 . | | |
| 36 | 39.26 | 102 | 1.74 | 5276 | 4 0 . | | |
| 31 | 45.50 | 133 | 1.54 | 5276 | 4 5 . | | |
| 27 | 53.31 | 155 | 1.35 | 5262 | 5 0 . | | |
| 25 | 56.19 | 143 | 1.36 | 5269 | 5 6 . | | |
| 22 | 64.21 | 162 | 1.24 | 5262 | 6 3 . | | |
| 19 | 74.55 | 213 | 0.97 | 5250 | 7 1 . | | |
| 17 | 82.83 | 236 | 0.81 | 5250 | 8 0 . | | |
| 44 | 32.55 | 99 | 3.44 | 7440 | C 0 5 2 1 3 2 . _ M _ _ _ . 5 5 A - - | 25.5 | 80A |
| 40 | 35.86 | 98 | 3.85 | 7440 | 3 6 . | | |
| 35 | 40.74 | 110 | 3.51 | 7440 | 4 0 . | | |
| 30 | 46.84 | 141 | 2.71 | 7440 | 4 5 . | | |
| 28 | 50.93 | 152 | 2.56 | 7440 | 5 0 . | | |
| 26 | 55.45 | 147 | 2.81 | 7440 | 5 6 . | | |
| 23 | 63.00 | 165 | 2.58 | 7440 | 6 3 . | | |
| 19 | 73.37 | 215 | 1.76 | 7431 | 7 1 . | | |
| 17 | 82.67 | 241 | 1.59 | 7426 | 8 0 . | | |
| 16 | 90.67 | 233 | 2.05 | 7426 | 9 0 . | | |
| 14 | 98.57 | 250 | 1.92 | 7422 | 1 0 0 | | |
| 13 | 109.07 | 316 | 1.24 | 7426 | 1 1 2 | | |
| 11 | 124.00 | 357 | 1.08 | 7430 | 1 2 5 | | |
| 10 | 142.00 | 352 | 1.37 | 7430 | 1 4 0 | | |
| 8.9 | 160.00 | 394 | 1.22 | 7412 | 1 6 0 | | |
| 6.7 | 211.11 | 511 | 0.94 | 7392 | 2 1 2 | | |
| 14 | 103.90 | 299 | 1.34 | 7418 | C 0 5 3 1 1 0 0 _ M _ _ _ . 5 5 A - - | 29.5 | 80A |
| 12 | 118.73 | 340 | 1.17 | 7409 | 1 1 8 | | |
| 11 | 130.38 | 321 | 1.50 | 7413 | 1 3 2 | | |
| 10 | 140.51 | 345 | 1.40 | 7409 | 1 5 0 | | |
| 8.9 | 160.26 | 453 | 0.87 | 7399 | 1 6 0 | | |
| 7.1 | 201.10 | 483 | 1.00 | 7410 | 2 0 0 | | |
| 6.2 | 229.81 | 549 | 0.88 | 7400 | 2 2 5 | | |
| 22 | 64.80 | 180 | 3.99 | 11896 | C 0 6 2 1 6 3 . _ M _ _ _ . 5 5 A - - | 37.5 | 80A |
| 19 | 73.92 | 230 | 3.31 | 11844 | 7 1 . | | |
| 18 | 80.94 | 251 | 2.42 | 11844 | 8 0 . | | |
| 16 | 91.58 | 250 | 3.06 | 11844 | 9 0 . | | |
| 15 | 97.78 | 265 | 2.88 | 11844 | 1 0 0 | | |
| 13 | 110.57 | 338 | 1.87 | 11724 | 1 1 2 | | |
| 11 | 124.00 | 376 | 1.41 | 11695 | 1 2 5 | | |
| 10 | 143.08 | 377 | 2.03 | 11695 | 1 4 0 | | |
| 9.1 | 156.67 | 409 | 1.87 | 11695 | 1 6 0 | | |
| 6.6 | 214.00 | 548 | 1.40 | 11626 | 2 1 2 | | |
| 5.9 | 240.00 | 609 | 1.26 | 11558 | 2 5 0 | | |
| 14 | 103.86 | 316 | 2.42 | 11800 | C 0 6 3 1 1 0 0 _ M _ _ _ . 5 5 A - - | 43.5 | 80A |
| 12 | 117.99 | 358 | 2.14 | 11700 | 1 1 8 | | |
| 11 | 130.00 | 341 | 2.24 | 11800 | 1 3 2 | | |
| 10 | 147.69 | 384 | 1.99 | 11700 | 1 5 0 | | |
| 8.4 | 169.81 | 508 | 1.51 | 11626 | 1 6 0 | | |
| 7.7 | 184.62 | 550 | 1.39 | 11558 | 1 8 0 | | |
| 7.1 | 201.02 | 512 | 1.50 | 11600 | 2 0 0 | | |
| 6.2 | 228.38 | 577 | 1.33 | 11600 | 2 2 5 | | |
| 5.3 | 265.95 | 782 | 0.98 | 11400 | 2 6 5 | | |
| 19 | 75.56 | 243 | 3.85 | 29200 | C 0 7 2 1 8 0 . _ M _ _ _ . 5 5 A - - | 80.5 | 80A |
| 16 | 88.26 | 271 | 3.79 | 29200 | 9 0 . | | |
| 14 | 99.79 | 303 | 3.45 | 29200 | 1 0 0 | | |
| 14 | 104.32 | 330 | 2.94 | 29200 | 1 1 2 | | |
| 12 | 115.92 | 366 | 2.64 | 29200 | 1 2 5 | | |
| 10 | 138.00 | 413 | 2.71 | 29200 | 1 4 0 | | |
| 9.4 | 151.12 | 454 | 2.51 | 29200 | 1 6 0 | | |

NOTE:
Other output speeds are available using 2 & 8 pole motors. Please contact our Application Engineers

SERIES C SELECTION TABLE GEARED MOTORS

0.55 kW

4 POLE

| N2 RPM | i | M2 Nm | Fm | N | Unit Designation | kg | |
|--------------|---------|---------------|----------------|---------------|--|---------------------------|------------|
| Output Speed | Ratio | Output Torque | Service Factor | Overhung Load | Column Entry 1 - 20 Spaces to be filled when entering order | Weight of Base Mount unit | Motor Size |
| 6.8 | 208.65 | 612 | 1.96 | 29200 | C 0 7 2 1 2 1 2 _ M _ - - - . 5 5 A - | 80.5 | 80A |
| 6.1 | 231.83 | 678 | 1.80 | 29200 | 2 5 0 | | |
| 13 | 113.20 | 356 | 3.76 | 29125 | C 0 7 3 1 1 1 8 _ M _ - - - . 5 5 A - | 89.5 | 80A |
| 11 | 125.04 | 372 | 2.96 | 29200 | 1 3 2 | | |
| 10 | 141.75 | 416 | 2.69 | 29200 | 1 5 0 | | |
| 8.9 | 159.98 | 498 | 2.69 | 29096 | 1 6 0 | | |
| 8.3 | 170.81 | 529 | 2.53 | 29106 | 1 8 0 | | |
| 7.3 | 194.65 | 571 | 2.08 | 29106 | 2 0 0 | | |
| 6.3 | 226.39 | 658 | 1.85 | 29075 | 2 2 5 | | |
| 5.7 | 249.94 | 767 | 1.74 | 29044 | 2 6 5 | | |
| 5.2 | 273.68 | 838 | 1.60 | 29013 | 2 8 0 | | |
| 4.4 | 319.95 | 915 | 1.39 | 25273 | 3 1 5 | | |
| 4.2 | 341.61 | 975 | 1.30 | 21625 | 3 6 0 | | |
| 3.8 | 373.83 | 1133 | 1.18 | 20101 | 4 0 0 | | |
| 3.4 | 419.25 | 1266 | 1.06 | 28926 | 4 5 0 | | |
| 2.8 | 499.88 | 1412 | 0.90 | 28858 | 5 0 0 | | |
| 2.6 | 547.35 | 1540 | 0.82 | 28858 | 5 6 0 | | |
| 6.0 | 235.77 | 699 | 3.61 | 41900 | C 0 8 2 1 2 5 0 _ M _ - - - . 5 5 A - | 130.5 | 80A |
| 2.6 | 547.09 | 1649 | 1.65 | 41656 | C 0 8 4 1 5 6 0 _ M _ - - - . 5 5 A - | 146.5 | 80A |
| 2.2 | 636.31 | 1916 | 1.42 | 41656 | 6 3 0 | | |
| 2.0 | 711.92 | 2140 | 1.27 | 41656 | 7 1 0 | | |
| 1.9 | 758.79 | 2282 | 1.19 | 41656 | 8 0 0 | | |
| 1.6 | 899.27 | 2700 | 1.01 | 41656 | 9 0 0 | | |
| 1.5 | 960.14 | 2881 | 0.94 | 41656 | 1 0 C | | |
| 1.3 | 1083.79 | 3239 | 0.88 | 41656 | 1 1 C | | |
| 2.5 | 558.41 | 1719 | 2.78 | 53383 | C 0 9 4 1 5 6 0 _ M _ - - - . 5 5 A - | 214.5 | 80A |
| 2.2 | 649.47 | 1998 | 2.39 | 53383 | 6 3 0 | | |
| 2.0 | 726.65 | 2231 | 2.14 | 53383 | 7 1 0 | | |
| 1.8 | 774.48 | 2380 | 2.01 | 53383 | 8 0 0 | | |
| 1.5 | 917.87 | 2816 | 1.70 | 53383 | 9 0 0 | | |
| 1.4 | 980.00 | 3004 | 1.59 | 53383 | 1 0 C | | |
| 1.3 | 1088.78 | 3325 | 1.45 | 53383 | 1 1 C | | |
| 1.2 | 1216.09 | 3717 | 1.29 | 53383 | 1 2 C | | |
| 0.99 | 1434.02 | 4371 | 1.09 | 53383 | 1 4 C | | |
| 0.92 | 1537.95 | 4636 | 1.06 | 53383 | 1 6 C | | |
| 0.74 | 1908.45 | 5740 | 0.86 | 53383 | 1 8 C | | |

0.55 kW

6 POLE

| | | | | | | | |
|-----|-------|-----|------|------|---------------------------------------|----|-----|
| 107 | 8.59 | 40 | 2.20 | 2841 | C 0 3 2 1 8 . 0 _ M _ - - - . 5 5 C - | 21 | 80B |
| 79 | 11.61 | 53 | 1.79 | 2835 | 1 1 . | | |
| 70 | 13.20 | 61 | 1.62 | 2831 | 1 2 . | | |
| 62 | 14.95 | 68 | 1.49 | 2828 | 1 4 . | | |
| 56 | 16.36 | 66 | 1.44 | 2829 | 1 6 . | | |
| 48 | 19.12 | 87 | 1.24 | 2814 | 1 8 . | | |
| 45 | 20.61 | 93 | 1.18 | 2810 | 2 0 . | | |
| 42 | 22.11 | 88 | 1.18 | 2814 | 2 2 . | | |
| 37 | 25.14 | 99 | 1.08 | 2809 | 2 5 . | | |
| 32 | 28.48 | 112 | 0.99 | 2802 | 2 8 . | | |
| 27 | 33.71 | 150 | 0.83 | 2781 | 3 2 . | | |
| 25 | 36.43 | 140 | 0.83 | 2788 | 3 6 . | | |
| 107 | 8.59 | 41 | 3.64 | 5285 | C 0 4 2 1 8 . 0 _ M _ - - - . 5 5 C - | 24 | 80B |
| 79 | 11.61 | 55 | 2.96 | 5281 | 1 1 . | | |
| 70 | 13.20 | 61 | 2.70 | 5279 | 1 2 . | | |
| 62 | 14.95 | 69 | 2.47 | 5279 | 1 4 . | | |
| 56 | 16.36 | 68 | 2.32 | 5279 | 1 6 . | | |
| 48 | 19.12 | 89 | 2.06 | 5277 | 1 8 . | | |
| 45 | 20.61 | 94 | 1.97 | 5274 | 2 0 . | | |
| 42 | 22.11 | 90 | 1.88 | 5274 | 2 2 . | | |
| 37 | 25.14 | 101 | 1.72 | 5274 | 2 5 . | | |
| 32 | 28.48 | 114 | 1.58 | 5271 | 2 8 . | | |
| 27 | 33.71 | 152 | 1.37 | 5261 | 3 2 . | | |
| 25 | 36.43 | 144 | 1.33 | 5268 | 3 6 . | | |
| 23 | 39.26 | 154 | 1.27 | 5263 | 4 0 . | | |
| 20 | 45.50 | 203 | 1.02 | 5255 | 4 5 . | | |
| 17 | 53.31 | 236 | 0.87 | 5249 | 5 0 . | | |
| 16 | 56.19 | 215 | 0.99 | 5255 | 5 6 . | | |
| 14 | 64.21 | 244 | 0.90 | 5242 | 6 3 . | | |

NOTE:

Other output speeds are available using 2 & 8 pole motors. Please contact our Application Engineers

| | | | | | | | |
|----|-------|-----|------|------|---------------------------------------|----|-----|
| 50 | 18.53 | 87 | 3.69 | 7439 | C 0 5 2 1 1 8 . _ M _ - - - . 5 5 C - | 27 | 80B |
| 44 | 21.05 | 98 | 3.42 | 7438 | 2 0 . | | |
| 41 | 22.56 | 95 | 3.89 | 7439 | 2 2 . | | |
| 37 | 24.86 | 104 | 3.62 | 7438 | 2 5 . | | |
| 33 | 28.24 | 118 | 3.29 | 7437 | 2 8 . | | |
| 28 | 32.55 | 151 | 2.56 | 7435 | 3 2 . | | |
| 26 | 35.86 | 147 | 2.77 | 7435 | 3 6 . | | |

SERIES C SELECTION TABLE GEARED MOTORS

0.55 kW

6 POLE

| N2 RPM | i | M2 Nm | Fm | N | Unit Designation | kg | |
|--------------|---------|---------------|----------------|---------------|--|---------------------------|------------|
| Output Speed | Ratio | Output Torque | Service Factor | Overhung Load | Column Entry 1 - 20 Spaces to be filled when entering order | Weight of Base Mount unit | Motor Size |
| 23 | 40.74 | 166 | 2.53 | 7434 | C 0 5 2 1 4 0 . _ M _ - _ _ . 5 5 C - - | 27 | 80B |
| 20 | 46.84 | 213 | 1.90 | 7432 | 4 5 . | | |
| 18 | 50.93 | 232 | 1.74 | 7430 | 5 0 . | | |
| 17 | 55.45 | 222 | 2.02 | 7432 | 5 6 . | | |
| 15 | 63.00 | 249 | 1.85 | 7430 | 6 3 . | | |
| 13 | 73.37 | 328 | 1.22 | 7413 | 7 1 . | | |
| 11 | 82.67 | 367 | 1.08 | 7409 | 8 0 . | | |
| 10 | 90.67 | 349 | 1.38 | 7409 | 9 0 . | | |
| 9.3 | 98.57 | 377 | 1.28 | 7404 | 1 0 0 | | |
| 8.4 | 109.07 | 481 | 0.81 | 7399 | 1 1 2 | | |
| 6.5 | 142.00 | 530 | 0.91 | 7400 | 1 4 0 | | |
| 5.8 | 160.00 | 593 | 0.81 | 7378 | 1 6 0 | | |
| 8.9 | 103.90 | 455 | 0.87 | 4552 | C 0 5 3 1 1 0 0 _ M _ - _ _ . 5 5 C - - | 31 | 80B |
| 7.1 | 130.38 | 486 | 0.99 | 4175 | 1 3 2 | | |
| 6.5 | 140.51 | 520 | 0.93 | 4175 | 1 5 0 | | |
| 19 | 47.32 | 228 | 3.35 | 11865 | C 0 6 2 1 4 5 . _ M _ - _ _ . 5 5 C - - | 39 | 80B |
| 18 | 50.52 | 242 | 3.15 | 11855 | 5 0 . | | |
| 17 | 55.71 | 236 | 3.19 | 11855 | 5 6 . | | |
| 14 | 64.80 | 271 | 2.82 | 11834 | 6 3 . | | |
| 12 | 73.92 | 351 | 2.18 | 11713 | 7 1 . | | |
| 11 | 80.94 | 380 | 1.81 | 11681 | 8 0 . | | |
| 10 | 91.58 | 375 | 2.04 | 11781 | 9 0 . | | |
| 9.4 | 97.78 | 399 | 1.92 | 11681 | 1 0 0 | | |
| 8.3 | 110.57 | 515 | 1.39 | 11592 | 1 1 2 | | |
| 7.4 | 124.00 | 573 | 0.91 | 11558 | 1 2 5 | | |
| 6.4 | 143.08 | 567 | 1.35 | 11626 | 1 4 0 | | |
| 5.9 | 156.67 | 617 | 1.24 | 11558 | 1 6 0 | | |
| 4.3 | 214.00 | 824 | 0.93 | 11422 | 2 1 2 | | |
| 3.8 | 240.00 | 917 | 0.83 | 11353 | 2 5 0 | | |
| 8.9 | 103.86 | 482 | 1.59 | 11676 | C 0 6 3 1 1 0 0 _ M _ - _ _ . 5 5 C - - | 45 | 80B |
| 7.8 | 117.99 | 545 | 1.40 | 11576 | 1 1 8 | | |
| 7.1 | 130.00 | 513 | 1.49 | 11676 | 1 3 2 | | |
| 6.2 | 147.69 | 578 | 1.32 | 11576 | 1 5 0 | | |
| 5.4 | 169.81 | 775 | 0.99 | 11422 | 1 6 0 | | |
| 5.0 | 184.62 | 840 | 0.91 | 11353 | 1 8 0 | | |
| 4.6 | 201.02 | 772 | 0.99 | 11457 | 2 0 0 | | |
| 4.0 | 228.38 | 870 | 0.88 | 11410 | 2 2 5 | | |
| 18 | 49.90 | 248 | 3.85 | 29180 | C 0 7 2 1 5 0 . _ M _ - _ _ . 5 5 C - - | 82 | 80B |
| 17 | 53.62 | 254 | 3.97 | 29179 | 5 6 . | | |
| 15 | 61.62 | 292 | 3.55 | 29179 | 6 3 . | | |
| 13 | 69.00 | 338 | 3.10 | 29172 | 7 1 . | | |
| 12 | 75.56 | 370 | 2.86 | 29165 | 8 0 . | | |
| 10 | 88.26 | 410 | 2.70 | 29168 | 9 0 . | | |
| 9.2 | 99.79 | 464 | 2.46 | 29168 | 1 0 0 | | |
| 8.8 | 104.32 | 505 | 2.18 | 29168 | 1 1 2 | | |
| 7.9 | 115.92 | 558 | 1.97 | 29152 | 1 2 5 | | |
| 6.7 | 138.00 | 631 | 1.90 | 29150 | 1 4 0 | | |
| 6.1 | 151.12 | 686 | 1.78 | 29150 | 1 6 0 | | |
| 4.4 | 208.65 | 932 | 1.36 | 29105 | 2 1 2 | | |
| 4.0 | 231.83 | 1030 | 1.23 | 29057 | 2 5 0 | | |
| 9.5 | 97.33 | 471 | 2.84 | 29117 | C 0 7 3 1 1 0 0 _ M _ - _ _ . 5 5 C - - | 91 | 80B |
| 8.1 | 113.20 | 545 | 2.46 | 29096 | 1 1 8 | | |
| 7.4 | 125.04 | 564 | 2.09 | 29150 | 1 3 2 | | |
| 6.5 | 141.75 | 642 | 1.88 | 29136 | 1 5 0 | | |
| 5.8 | 159.98 | 761 | 1.76 | 29044 | 1 6 0 | | |
| 5.4 | 170.81 | 812 | 1.65 | 29044 | 1 8 0 | | |
| 4.7 | 194.65 | 870 | 1.46 | 29013 | 2 0 0 | | |
| 4.1 | 226.39 | 1001 | 1.27 | 29063 | 2 2 5 | | |
| 3.7 | 249.94 | 1174 | 1.14 | 28995 | 2 6 5 | | |
| 3.4 | 273.68 | 1281 | 1.05 | 28926 | 2 8 0 | | |
| 2.9 | 319.95 | 1401 | 0.91 | 28926 | 3 1 5 | | |
| 2.7 | 341.61 | 1493 | 0.85 | 28858 | 3 6 0 | | |
| 6.6 | 139.29 | 644 | 3.85 | 41880 | C 0 8 2 1 1 4 0 _ M _ - _ _ . 5 5 C - - | 132 | 80B |
| 6.0 | 153.00 | 705 | 3.57 | 41880 | 1 6 0 | | |
| 4.5 | 204.75 | 931 | 2.82 | 41868 | 2 1 2 | | |
| 3.9 | 235.77 | 1058 | 2.47 | 41868 | 2 5 0 | | |
| 1.7 | 547.09 | 2547 | 1.07 | 41656 | C 0 8 4 1 5 6 0 _ M _ - _ _ . 5 5 C - - | 148 | 80B |
| 1.4 | 636.31 | 2958 | 0.92 | 41656 | 6 3 0 | | |
| 1.3 | 711.92 | 3301 | 0.82 | 41656 | 7 1 0 | | |
| 1.6 | 558.41 | 2654 | 1.80 | 53383 | C 0 9 4 1 5 6 0 _ M _ - _ _ . 5 5 C - - | 216 | 80B |
| 1.4 | 649.47 | 3082 | 1.55 | 53383 | 6 3 0 | | |
| 1.3 | 726.65 | 3441 | 1.39 | 53383 | 7 1 0 | | |
| 1.2 | 774.48 | 3668 | 1.30 | 53383 | 8 0 0 | | |
| 1.0 | 917.87 | 4337 | 1.10 | 53383 | 9 0 0 | | |
| 0.94 | 980.00 | 4626 | 1.03 | 53383 | 1 0 C | | |
| 0.84 | 1088.78 | 5121 | 0.94 | 53383 | 1 1 C | | |
| 0.76 | 1216.09 | 5717 | 0.84 | 53383 | 1 2 C | | |
| 1.9 | 495.31 | 2376 | 3.57 | 87299 | C 1 0 4 1 5 0 0 _ M _ - _ _ . 5 5 C - - | 334 | 80B |
| 1.7 | 544.84 | 2611 | 3.24 | 87299 | 5 6 0 | | |

NOTE:

Other output speeds are available using 2 & 8 pole motors. Please contact our Application Engineers

SERIES C SELECTION TABLE GEARED MOTORS

0.55 kW

6 POLE

0.75 kW

4 POLE

| N2 RPM | i | M2 Nm | Fm | N | Unit Designation | kg | |
|--------------|---------|---------------|----------------|---------------|--|---------------------------|------------|
| Output Speed | Ratio | Output Torque | Service Factor | Overhung Load | Column Entry 1 - 20 Spaces to be filled when entering order | Weight of Base Mount unit | Motor Size |
| 1.5 | 626.07 | 2997 | 2.83 | 87299 | C 1 0 4 1 6 3 0 _ M _ _ _ . 5 5 C - - | 334 | 80B |
| 1.3 | 709.95 | 3391 | 2.50 | 87299 | 7 1 0 | | |
| 1.2 | 783.06 | 3741 | 2.27 | 87299 | 8 0 0 | | |
| 1.0 | 896.77 | 4277 | 1.98 | 87299 | 9 0 0 | | |
| 0.91 | 1013.93 | 4827 | 1.76 | 87299 | 1 0 C | | |
| 0.82 | 1126.71 | 5342 | 1.55 | 87375 | 1 1 C | | |
| 0.78 | 1175.54 | 5582 | 1.52 | 87299 | 1 2 C | | |
| 0.66 | 1402.11 | 6635 | 1.28 | 87299 | 1 4 C | | |
| 0.57 | 1606.71 | 7534 | 1.14 | 87299 | 1 6 C | | |
| 0.49 | 1862.80 | 8716 | 0.98 | 87299 | 1 8 C | | |
| 0.43 | 2146.36 | 9991 | 0.86 | 87299 | 2 0 C | | |
| 0.41 | 2221.83 | 10366 | 0.83 | 87299 | 2 2 C | | |
| 165 | 8.59 | 36 | 2.24 | 2841 | C 0 3 2 1 8 . 0 _ M _ _ _ . 7 5 A - - | | |
| 122 | 11.61 | 48 | 1.81 | 2837 | 1 1 . | | |
| 107 | 13.20 | 54 | 1.65 | 2832 | 1 2 . | | |
| 95 | 14.95 | 62 | 1.51 | 2832 | 1 4 . | | |
| 86 | 16.36 | 60 | 1.44 | 2827 | 1 6 . | | |
| 74 | 19.12 | 78 | 1.27 | 2821 | 1 8 . | | |
| 69 | 20.61 | 84 | 1.20 | 2821 | 2 0 . | | |
| 64 | 22.11 | 80 | 1.18 | 2821 | 2 2 . | | |
| 56 | 25.14 | 90 | 1.08 | 2810 | 2 5 . | | |
| 50 | 28.48 | 101 | 1.00 | 2810 | 2 8 . | | |
| 42 | 33.71 | 134 | 0.84 | 2790 | 3 2 . | | |
| 39 | 36.43 | 127 | 0.84 | 2790 | 3 6 . | | |
| 165 | 8.59 | 37 | 3.70 | 5287 | C 0 4 2 1 8 . 0 _ M _ _ _ . 7 5 A - - | 22.5 | 80A |
| 122 | 11.61 | 49 | 3.01 | 5283 | 1 1 . | | |
| 107 | 13.20 | 56 | 2.75 | 5283 | 1 2 . | | |
| 95 | 14.95 | 62 | 2.52 | 5280 | 1 4 . | | |
| 86 | 16.36 | 62 | 2.32 | 5280 | 1 6 . | | |
| 74 | 19.12 | 79 | 2.11 | 5280 | 1 8 . | | |
| 69 | 20.61 | 85 | 2.00 | 5280 | 2 0 . | | |
| 64 | 22.11 | 82 | 1.89 | 5280 | 2 2 . | | |
| 56 | 25.14 | 93 | 1.73 | 5276 | 2 5 . | | |
| 50 | 28.48 | 104 | 1.60 | 5276 | 2 8 . | | |
| 42 | 33.71 | 136 | 1.41 | 5267 | 3 2 . | | |
| 39 | 36.43 | 131 | 1.34 | 5270 | 3 6 . | | |
| 36 | 39.26 | 140 | 1.27 | 5270 | 4 0 . | | |
| 31 | 45.50 | 182 | 1.13 | 5270 | 4 5 . | | |
| 27 | 53.31 | 212 | 0.98 | 5250 | 5 0 . | | |
| 25 | 56.19 | 196 | 1.00 | 5260 | 5 6 . | | |
| 22 | 64.21 | 222 | 0.91 | 5250 | 6 3 . | | |
| 76 | 18.53 | 79 | 3.57 | 7440 | C 0 5 2 1 1 8 . _ M _ _ _ . 7 5 A - - | 25.5 | 80A |
| 67 | 21.05 | 89 | 3.30 | 7439 | 2 0 . | | |
| 63 | 22.56 | 87 | 3.94 | 7439 | 2 2 . | | |
| 57 | 24.86 | 95 | 3.68 | 7439 | 2 5 . | | |
| 50 | 28.24 | 107 | 3.37 | 7438 | 2 8 . | | |
| 43 | 32.55 | 135 | 2.51 | 7437 | 3 2 . | | |
| 39 | 35.86 | 134 | 2.81 | 7437 | 3 6 . | | |
| 35 | 40.74 | 151 | 2.56 | 7437 | 4 0 . | | |
| 30 | 46.84 | 193 | 1.98 | 7437 | 4 5 . | | |
| 28 | 50.93 | 208 | 1.87 | 7435 | 5 0 . | | |
| 26 | 55.45 | 201 | 2.06 | 7435 | 5 6 . | | |
| 22 | 63.00 | 226 | 1.89 | 7433 | 6 3 . | | |
| 19 | 73.37 | 295 | 1.29 | 7427 | 7 1 . | | |
| 17 | 82.67 | 330 | 1.16 | 7420 | 8 0 . | | |
| 16 | 90.67 | 319 | 1.50 | 7420 | 9 0 . | | |
| 14 | 98.57 | 343 | 1.41 | 7414 | 1 0 0 | | |
| 13 | 109.07 | 432 | 0.91 | 7420 | 1 1 2 | | |
| 8.8 | 160.00 | 539 | 0.89 | 7400 | 1 6 0 | | |
| 14 | 103.90 | 409 | 0.98 | 7407 | C 0 5 3 1 1 0 0 _ M _ _ _ . 7 5 A - - | 29.5 | 80A |
| 12 | 118.73 | 465 | 0.86 | 7395 | 1 1 8 | | |
| 11 | 130.38 | 440 | 1.09 | 7401 | 1 3 2 | | |
| 10 | 140.51 | 472 | 1.02 | 7395 | 1 5 0 | | |
| 30 | 47.32 | 205 | 3.38 | 11868 | C 0 6 2 1 4 5 . _ M _ _ _ . 7 5 A - - | 37.5 | 80A |
| 28 | 50.52 | 218 | 3.24 | 11848 | 5 0 . | | |
| 25 | 55.71 | 215 | 3.24 | 11878 | 5 6 . | | |
| 22 | 64.80 | 247 | 2.91 | 11848 | 6 3 . | | |
| 19 | 73.92 | 314 | 2.42 | 11771 | 7 1 . | | |
| 17 | 80.94 | 344 | 1.77 | 11771 | 8 0 . | | |
| 15 | 91.58 | 342 | 2.24 | 11771 | 9 0 . | | |
| 14 | 97.78 | 363 | 2.11 | 11771 | 1 0 0 | | |
| 13 | 110.57 | 462 | 1.37 | 11642 | 1 1 2 | | |
| 11 | 124.00 | 515 | 1.03 | 11600 | 1 2 5 | | |
| 10 | 143.08 | 516 | 1.48 | 11600 | 1 4 0 | | |

NOTE:

Other output speeds are available using 2 & 8 pole motors. Please contact our Application Engineers

SERIES C SELECTION TABLE GEARED MOTORS

0.75 kW

4 POLE

| N2 RPM | i | M2 Nm | Fm | N | Unit Designation | kg | | | |
|--------------|---------|---------------|----------------|---------------|--|---------------------------|------------|-------|-----|
| Output Speed | Ratio | Output Torque | Service Factor | Overhung Load | Column Entry 1 - 20 Spaces to be filled when entering order | Weight of Base Mount unit | Motor Size | | |
| 9 | 156.67 | 560 | 1.37 | 11600 | C 0 6 2 1 1 6 0 _ M _ _ _ . 7 5 A - - | 37.5 | 80A | | |
| 6.6 | 214.00 | 749 | 1.02 | 11500 | 2 1 2 | | | | |
| 5.9 | 240.00 | 833 | 0.92 | 11400 | 2 5 0 | | | | |
| 14 | 103.86 | 432 | 1.77 | 11690 | C 0 6 3 1 1 0 0 _ M _ _ _ . 7 5 A - - | 43.5 | 80A | | |
| 12 | 117.99 | 490 | 1.56 | 11590 | 1 1 8 | | | | |
| 11 | 130.00 | 467 | 1.64 | 11690 | 1 3 2 | | | | |
| 10 | 147.69 | 525 | 1.46 | 11627 | 1 5 0 | | | | |
| 8.3 | 169.81 | 695 | 1.10 | 11500 | 1 6 0 | | | | |
| 7.7 | 184.62 | 753 | 1.02 | 11400 | 1 8 0 | | | | |
| 7.0 | 201.02 | 700 | 1.09 | 11500 | 2 0 0 | | | | |
| 6.2 | 228.38 | 790 | 0.97 | 11400 | 2 2 5 | | | | |
| 28 | 49.90 | 222 | 3.96 | 29187 | C 0 7 2 1 5 0 . _ M _ _ _ . 7 5 A - - | | | 80.5 | 80A |
| 23 | 61.62 | 262 | 3.70 | 29182 | 6 3 . | | | | |
| 21 | 69.00 | 304 | 3.04 | 29182 | 7 1 . | | | | |
| 19 | 75.56 | 333 | 2.81 | 29176 | 8 0 . | | | | |
| 16 | 88.26 | 371 | 2.77 | 29175 | 9 0 . | | | | |
| 14 | 99.79 | 415 | 2.52 | 29175 | 1 0 0 | | | | |
| 14 | 104.32 | 452 | 2.15 | 29175 | 1 1 2 | | | | |
| 12 | 115.92 | 502 | 1.93 | 29163 | 1 2 5 | | | | |
| 10 | 138.00 | 566 | 1.98 | 29157 | 1 4 0 | | | | |
| 9.4 | 151.12 | 621 | 1.83 | 29157 | 1 6 0 | | | | |
| 6.8 | 208.65 | 838 | 1.43 | 29127 | 2 1 2 | | | | |
| 6.1 | 231.83 | 928 | 1.31 | 29090 | 2 5 0 | | | | |
| 15 | 97.33 | 422 | 3.17 | 29134 | C 0 7 3 1 1 0 0 _ M _ _ _ . 7 5 A - - | 89.5 | 80A | | |
| 13 | 113.20 | 488 | 2.75 | 29090 | 1 1 8 | | | | |
| 11 | 125.04 | 509 | 2.16 | 29159 | 1 3 2 | | | | |
| 10 | 141.75 | 570 | 1.96 | 29163 | 1 5 0 | | | | |
| 8.8 | 159.98 | 682 | 1.96 | 29048 | 1 6 0 | | | | |
| 8.3 | 170.81 | 725 | 1.85 | 29063 | 1 8 0 | | | | |
| 7.3 | 194.65 | 781 | 1.52 | 29063 | 2 0 0 | | | | |
| 6.3 | 226.39 | 901 | 1.35 | 29017 | 2 2 5 | | | | |
| 5.7 | 249.94 | 1050 | 1.28 | 28971 | 2 6 5 | | | | |
| 5.2 | 273.68 | 1148 | 1.17 | 28926 | 2 8 0 | | | | |
| 4.4 | 319.95 | 1252 | 1.01 | 23447 | 3 1 5 | | | | |
| 4.1 | 341.61 | 1335 | 0.95 | 18101 | 3 6 0 | | | | |
| 3.8 | 373.83 | 1550 | 0.86 | 15869 | 4 0 0 | | | | |
| 10 | 139.29 | 578 | 3.99 | 41882 | C 0 8 2 1 1 4 0 _ M _ _ _ . 7 5 A - - | | | 130.5 | 80A |
| 9.2 | 153.00 | 633 | 3.71 | 41883 | 1 6 0 | | | | |
| 6.9 | 204.75 | 836 | 2.95 | 41867 | 2 1 2 | | | | |
| 6.0 | 235.77 | 957 | 2.64 | 41875 | 2 5 0 | | | | |
| 2.6 | 547.09 | 2256 | 1.20 | 41656 | C 0 8 4 1 5 6 0 _ M _ _ _ . 7 5 A - - | 146.5 | 80A | | |
| 2.2 | 636.31 | 2622 | 1.04 | 41656 | 6 3 0 | | | | |
| 2.0 | 711.92 | 2929 | 0.93 | 41656 | 7 1 0 | | | | |
| 1.9 | 758.79 | 3123 | 0.87 | 41656 | 8 0 0 | | | | |
| 2.5 | 558.41 | 2353 | 2.03 | 53383 | C 0 9 4 1 5 6 0 _ M _ _ _ . 7 5 A - - | 214.5 | 80A | | |
| 2.2 | 649.47 | 2734 | 1.75 | 53383 | 6 3 0 | | | | |
| 1.9 | 726.65 | 3054 | 1.57 | 53383 | 7 1 0 | | | | |
| 1.8 | 774.48 | 3257 | 1.47 | 53383 | 8 0 0 | | | | |
| 1.5 | 917.87 | 3853 | 1.24 | 53383 | 9 0 0 | | | | |
| 1.4 | 980.00 | 4111 | 1.16 | 53383 | 1 0 C | | | | |
| 1.3 | 1088.78 | 4550 | 1.06 | 53383 | 1 1 C | | | | |
| 1.2 | 1216.09 | 5087 | 0.94 | 53383 | 1 2 C | | | | |
| 2.6 | 544.84 | 2314 | 3.66 | 87299 | C 1 0 4 1 5 6 0 _ M _ _ _ . 7 5 A - - | | | 332.5 | 80A |
| 2.3 | 626.07 | 2657 | 3.19 | 87299 | 6 3 0 | | | | |
| 2.0 | 709.95 | 3008 | 2.82 | 87299 | 7 1 0 | | | | |
| 1.8 | 783.06 | 3319 | 2.55 | 87299 | 8 0 0 | | | | |
| 1.6 | 896.77 | 3797 | 2.23 | 87299 | 9 0 0 | | | | |
| 1.4 | 1013.93 | 4288 | 1.98 | 87299 | 1 0 C | | | | |
| 1.3 | 1126.71 | 4744 | 1.75 | 87375 | 1 1 C | | | | |
| 1.2 | 1175.54 | 4962 | 1.71 | 87299 | 1 2 C | | | | |
| 1.0 | 1402.11 | 5904 | 1.44 | 87299 | 1 4 C | | | | |
| 0.88 | 1606.71 | 6682 | 1.28 | 87299 | 1 6 C | | | | |
| 0.76 | 1862.80 | 7737 | 1.11 | 87299 | 1 8 C | | | | |
| 0.66 | 2146.36 | 8864 | 0.97 | 87299 | 2 0 C | | | | |
| 0.64 | 2221.83 | 9211 | 0.93 | 87299 | 2 2 C | | | | |
| 0.55 | 2560.05 | 10553 | 0.81 | 87299 | 2 5 C | | | | |

NOTE:

Other output speeds are available using 2 & 8 pole motors. Please contact our Application Engineers

SERIES C SELECTION TABLE GEARED MOTORS

0.75 kW
6 POLE

| N2 RPM | i | M2 Nm | Fm | N | Unit Designation | kg | Motor Size |
|-----------------|--------|------------------|-------------------|------------------|--|------------------------------|---------------|
| Output Speed | Ratio | Output Torque | Service Factor | Overhung Load | Column Entry 1 - 20 Spaces to be filled when entering order | Weight of Base Mount unit | |
| 107 | 8.59 | 55 | 1.61 | 2832 | C 0 3 2 1 8 . 0 _ M _ - - - . 7 5 C - - | 24.5 | 90S |
| 79 | 11.61 | 73 | 1.32 | 2823 | 1 1 . | | |
| 70 | 13.20 | 83 | 1.19 | 2818 | 1 2 . | | |
| 62 | 14.95 | 93 | 1.09 | 2814 | 1 4 . | | |
| 56 | 16.36 | 90 | 1.06 | 2815 | 1 6 . | | |
| 48 | 19.12 | 118 | 0.91 | 2798 | C 0 3 2 1 1 8 . _ M _ - - - . 7 5 C - - | 24.5 | 90S |
| 45 | 20.61 | 127 | 0.86 | 2792 | 2 0 . | | |
| 42 | 22.11 | 120 | 0.87 | 2798 | 2 2 . | | |
| 107 | 8.59 | 56 | 2.67 | 5283 | C 0 4 2 1 8 . 0 _ M _ - - - . 7 5 C - - | 26.5 | 90S |
| 79 | 11.61 | 75 | 2.17 | 5277 | 1 1 . | | |
| 70 | 13.20 | 84 | 1.98 | 5274 | 1 2 . | | |
| 62 | 14.95 | 95 | 1.81 | 5274 | 1 4 . | | |
| 56 | 16.36 | 92 | 1.70 | 5274 | 1 6 . | | |
| 48 | 19.12 | 121 | 1.51 | 5271 | 1 8 . | | |
| 45 | 20.61 | 129 | 1.44 | 5267 | 2 0 . | | |
| 42 | 22.11 | 123 | 1.38 | 5267 | 2 2 . | | |
| 37 | 25.14 | 138 | 1.26 | 5267 | 2 5 . | | |
| 32 | 28.48 | 156 | 1.16 | 5262 | 2 8 . | | |
| 27 | 33.71 | 207 | 1.01 | 5248 | 3 2 . | | |
| 25 | 36.43 | 196 | 0.97 | 5257 | 3 6 . | | |
| 23 | 39.26 | 210 | 0.93 | 5251 | 4 0 . | | |
| 79 | 11.66 | 76 | 3.60 | 7440 | C 0 5 2 1 1 1 . _ M _ - - - . 7 5 C - - | 30.5 | 90S |
| 72 | 12.85 | 84 | 3.40 | 7440 | 1 2 . | | |
| 63 | 14.59 | 95 | 3.14 | 7440 | 1 4 . | | |
| 57 | 16.09 | 95 | 3.65 | 7440 | 1 6 . | | |
| 50 | 18.53 | 119 | 2.71 | 7437 | 1 8 . | | |
| 44 | 21.05 | 134 | 2.50 | 7435 | 2 0 . | | |
| 41 | 22.56 | 130 | 2.85 | 7437 | 2 2 . | | |
| 37 | 24.86 | 142 | 2.66 | 7435 | 2 5 . | | |
| 33 | 28.24 | 161 | 2.41 | 7433 | 2 8 . | | |
| 28 | 32.55 | 206 | 1.88 | 7429 | 3 2 . | | |
| 26 | 35.86 | 201 | 2.03 | 7429 | 3 6 . | | |
| 23 | 40.74 | 226 | 1.85 | 7427 | 4 0 . | | |
| 20 | 46.84 | 291 | 1.39 | 7423 | 4 5 . | | |
| 18 | 50.93 | 316 | 1.28 | 7419 | 5 0 . | | |
| 17 | 55.45 | 302 | 1.48 | 7423 | 5 6 . | | |
| 15 | 63.00 | 340 | 1.35 | 7419 | 6 3 . | | |
| 13 | 73.37 | 447 | 0.89 | 7401 | 7 1 . | | |
| 10 | 90.67 | 476 | 1.01 | 7395 | 9 0 . | | |
| 9.3 | 98.57 | 515 | 0.94 | 7388 | 1 0 0 | | |
| 33 | 28.18 | 170 | 3.82 | 11937 | C 0 6 2 1 2 8 . _ M _ - - - . 7 5 C - - | 42.5 | 90S |
| 27 | 33.48 | 223 | 3.17 | 11816 | 3 2 . | | |
| 26 | 35.79 | 213 | 3.22 | 11826 | 3 6 . | | |
| 23 | 40.57 | 239 | 2.94 | 11813 | 4 0 . | | |
| 19 | 47.32 | 312 | 2.45 | 11803 | 4 5 . | | |
| 18 | 50.52 | 331 | 2.31 | 11787 | 5 0 . | | |
| 17 | 55.71 | 322 | 2.34 | 11787 | 5 6 . | | |
| 14 | 64.80 | 370 | 2.07 | 11757 | 6 3 . | | |
| 12 | 73.92 | 479 | 1.60 | 11626 | 7 1 . | | |
| 11 | 80.94 | 519 | 1.33 | 11580 | 8 0 . | | |
| 10 | 91.58 | 512 | 1.49 | 11680 | 9 0 . | | |
| 9.4 | 97.78 | 544 | 1.41 | 11580 | 1 0 0 | | |
| 8.3 | 110.57 | 703 | 1.02 | 11450 | 1 1 2 | | |
| 6.4 | 143.08 | 773 | 0.99 | 11500 | 1 4 0 | | |
| 5.9 | 156.67 | 841 | 0.91 | 11400 | 1 6 0 | | |
| 8.9 | 103.86 | 658 | 1.16 | 11539 | C 0 6 3 1 1 0 0 _ M _ - - - . 7 5 C - - | 47.5 | 90S |
| 7.8 | 117.99 | 743 | 1.03 | 11439 | 1 1 8 | | |
| 7.1 | 130.00 | 700 | 1.09 | 11539 | 1 3 2 | | |
| 6.2 | 147.69 | 788 | 0.97 | 11439 | 1 5 0 | | |
| 21 | 44.13 | 300 | 3.14 | 29168 | C 0 7 2 1 4 5 . _ M _ - - - . 7 5 C - - | 84.5 | 90S |
| 18 | 49.90 | 339 | 2.82 | 29158 | 5 0 . | | |
| 17 | 53.62 | 346 | 2.91 | 29156 | 5 6 . | | |
| 15 | 61.62 | 398 | 2.61 | 29156 | 6 3 . | | |
| 13 | 69.00 | 461 | 2.27 | 29142 | 7 1 . | | |
| 12 | 75.56 | 505 | 2.10 | 29127 | 8 0 . | | |
| 10 | 88.26 | 560 | 1.98 | 29132 | 9 0 . | | |
| 9.2 | 99.79 | 632 | 1.80 | 29132 | 1 0 0 | | |
| 8.8 | 104.32 | 688 | 1.60 | 29132 | 1 1 2 | | |
| 7.9 | 115.92 | 761 | 1.44 | 29099 | 1 2 5 | | |
| 6.7 | 138.00 | 861 | 1.39 | 29095 | 1 4 0 | | |
| 6.1 | 151.12 | 936 | 1.30 | 29095 | 1 6 0 | | |
| 4.4 | 208.65 | 1270 | 1.00 | 29000 | 2 1 2 | | |
| 4.0 | 231.83 | 1405 | 0.90 | 28900 | 2 5 0 | | |

NOTE:
Other output speeds are available using 2 & 8 pole motors. Please contact our Application Engineers

SERIES C SELECTION TABLE GEARED MOTORS

0.75 kW

6 POLE

| N2 RPM | i | M2 Nm | Fm | N | Unit Designation | kg | |
|--------------|---------|---------------|----------------|---------------|--|---------------------------|------------|
| Output Speed | Ratio | Output Torque | Service Factor | Overhung Load | Column Entry 1 - 20 Spaces to be filled when entering order | Weight of Base Mount unit | Motor Size |
| 9.5 | 97.33 | 643 | 2.08 | 29078 | C 0 7 3 1 1 0 0 _ M _ _ _ . 7 5 C - - | 93.5 | 90S |
| 8.1 | 113.20 | 743 | 1.8 | 29048 | 1 1 8 | | |
| 7.4 | 125.04 | 769 | 1.53 | 29096 | 1 3 2 | | |
| 6.5 | 141.75 | 876 | 1.38 | 29065 | 1 5 0 | | |
| 5.8 | 159.98 | 1038 | 1.29 | 28971 | 1 6 0 | | |
| 5.4 | 170.81 | 1107 | 1.21 | 28971 | 1 8 0 | | |
| 4.7 | 194.65 | 1187 | 1.07 | 28926 | 2 0 0 | | |
| 4.1 | 226.39 | 1365 | 0.93 | 29000 | 2 2 5 | | |
| 3.7 | 249.94 | 1601 | 0.84 | 28900 | 2 6 5 | | |
| 9.3 | 98.53 | 631 | 3.71 | 41871 | C 0 8 2 1 1 0 0 _ M _ _ _ . 7 5 C - - | 134.5 | 90S |
| 7.8 | 117.89 | 782 | 3.72 | 41879 | 1 2 5 | | |
| 6.6 | 139.29 | 878 | 2.82 | 41858 | 1 4 0 | | |
| 6.0 | 153.00 | 962 | 2.62 | 41858 | 1 6 0 | | |
| 4.5 | 204.75 | 1270 | 2.07 | 41832 | C 0 8 2 1 2 1 2 _ M _ _ _ . 7 5 C - - | 134.5 | 90S |
| 3.9 | 235.77 | 1443 | 1.81 | 41832 | 2 5 0 | | |
| 3.7 | 249.73 | 1526 | 3.65 | 53800 | C 0 9 2 1 2 5 0 _ M _ _ _ . 7 5 C - - | 197.5 | 90S |
| 1.6 | 558.41 | 3619 | 1.32 | 53383 | C 0 9 4 1 5 6 0 _ M _ _ _ . 7 5 C - - | 218.5 | 90S |
| 1.4 | 649.47 | 4203 | 1.14 | 53383 | 6 3 0 | | |
| 1.3 | 726.65 | 4692 | 1.02 | 53383 | 7 1 0 | | |
| 1.2 | 774.48 | 5003 | 0.96 | 53383 | 8 0 0 | | |
| 1.0 | 917.87 | 5914 | 0.81 | 53383 | 9 0 0 | | |
| 1.9 | 495.31 | 3240 | 2.62 | 87299 | C 1 0 4 1 5 0 0 _ M _ _ _ . 7 5 C - - | 336.5 | 90S |
| 1.7 | 544.84 | 3561 | 2.38 | 87299 | 5 6 0 | | |
| 1.5 | 626.07 | 4087 | 2.07 | 87299 | 6 3 0 | | |
| 1.3 | 709.95 | 4625 | 1.83 | 87299 | 7 1 0 | | |
| 1.2 | 783.06 | 5101 | 1.66 | 87299 | 8 0 0 | | |
| 1.0 | 896.77 | 5832 | 1.45 | 87299 | 9 0 0 | | |
| 0.91 | 1013.93 | 6582 | 1.29 | 87299 | 1 0 C | | |
| 0.82 | 1126.71 | 7285 | 1.14 | 87375 | 1 1 C | | |
| 0.78 | 1175.54 | 7612 | 1.11 | 87299 | 1 2 C | | |
| 0.66 | 1402.11 | 9048 | 0.94 | 87299 | 1 4 C | | |
| 0.57 | 1606.71 | 10274 | 0.83 | 87299 | 1 6 C | | |

1.1 kW

4 POLE

| | | | | | | | |
|-----|-------|-----|------|------|---------------------------------------|------|-----|
| 164 | 8.59 | 53 | 1.52 | 2831 | C 0 3 2 1 8 . 0 _ M _ _ _ 1 . 1 A - - | 24.5 | 90S |
| 121 | 11.61 | 71 | 1.23 | 2824 | 1 1 . | | |
| 107 | 13.20 | 80 | 1.12 | 2817 | 1 2 . | | |
| 94 | 14.95 | 91 | 1.03 | 2817 | 1 4 . | | |
| 86 | 16.36 | 88 | 0.98 | 2810 | 1 6 . | | |
| 74 | 19.12 | 115 | 0.86 | 2800 | 1 8 . | | |
| 68 | 20.61 | 123 | 0.82 | 2800 | 2 0 . | | |
| 64 | 22.11 | 117 | 0.80 | 2800 | 2 2 . | | |
| 164 | 8.59 | 54 | 2.51 | 5286 | C 0 4 2 1 8 . 0 _ M _ _ _ 1 . 1 A - - | 26.5 | 90S |
| 121 | 11.61 | 72 | 2.04 | 5279 | 1 1 . | | |
| 107 | 13.20 | 82 | 1.87 | 5280 | 1 2 . | | |
| 94 | 14.95 | 92 | 1.71 | 5275 | 1 4 . | | |
| 86 | 16.36 | 91 | 1.57 | 5275 | 1 6 . | | |
| 74 | 19.12 | 117 | 1.43 | 5275 | 1 8 . | | |
| 68 | 20.61 | 125 | 1.36 | 5275 | 2 0 . | | |
| 64 | 22.11 | 121 | 1.28 | 5275 | 2 2 . | | |
| 56 | 25.14 | 136 | 1.18 | 5268 | 2 5 . | | |
| 50 | 28.48 | 153 | 1.09 | 5268 | 2 8 . | | |
| 42 | 33.71 | 201 | 0.95 | 5254 | 3 2 . | | |
| 39 | 36.43 | 193 | 0.91 | 5260 | 3 6 . | | |
| 36 | 39.26 | 206 | 0.87 | 5260 | 4 0 . | | |
| 170 | 8.31 | 53 | 3.88 | 7440 | C 0 5 2 1 8 . 0 _ M _ _ _ 1 . 1 A - - | 30.5 | 90S |
| 121 | 11.66 | 74 | 3.20 | 7440 | 1 1 . | | |
| 110 | 12.85 | 81 | 3.02 | 7440 | 1 2 . | | |
| 97 | 14.59 | 92 | 2.80 | 7438 | 1 4 . | | |
| 88 | 16.09 | 93 | 3.41 | 7440 | 1 6 . | | |
| 76 | 18.53 | 116 | 2.42 | 7440 | 1 8 . | | |
| 67 | 21.05 | 131 | 2.25 | 7437 | 2 0 . | | |
| 62 | 22.56 | 128 | 2.68 | 7437 | 2 2 . | | |
| 57 | 24.86 | 140 | 2.50 | 7437 | 2 5 . | | |
| 50 | 28.24 | 158 | 2.29 | 7435 | 2 8 . | | |
| 43 | 32.55 | 199 | 1.71 | 7433 | 3 2 . | | |
| 39 | 35.86 | 197 | 1.91 | 7433 | 3 6 . | | |
| 35 | 40.74 | 222 | 1.74 | 7433 | 4 0 . | | |
| 30 | 46.84 | 284 | 1.34 | 7434 | 4 5 . | | |
| 28 | 50.93 | 307 | 1.27 | 7428 | 5 0 . | | |
| 25 | 55.45 | 297 | 1.40 | 7428 | 5 6 . | | |
| 22 | 63.00 | 333 | 1.28 | 7422 | 6 3 . | | |
| 19 | 73.37 | 434 | 0.88 | 7420 | 7 1 . | | |
| 16 | 90.67 | 470 | 1.02 | 7410 | 9 0 . | | |
| 14 | 98.57 | 504 | 0.95 | 7400 | 1 0 0 | | |

NOTE:

Other output speeds are available using 2 & 8 pole motors. Please contact our Application Engineers

SERIES C SELECTION TABLE GEARED MOTORS

1.1 kW
4 POLE

| N2 RPM | i | M2 Nm | Fm | N | Unit Designation | kg | |
|--------------|--------|---------------|----------------|---------------|--|---------------------------|------------|
| Output Speed | Ratio | Output Torque | Service Factor | Overhung Load | Column Entry 1 - 20 Spaces to be filled when entering order | Weight of Base Mount unit | Motor Size |
| 67 | 20.96 | 137 | 3.86 | 11944 | C 0 6 2 1 2 0 . _ M _ _ _ _ 1 . 1 A - - | 42.5 | 90S |
| 56 | 25.11 | 149 | 3.97 | 11944 | 2 5 . | | |
| 50 | 28.18 | 167 | 3.65 | 11936 | 2 8 . | | |
| 42 | 33.48 | 216 | 2.88 | 11820 | 3 2 . | | |
| 39 | 35.79 | 208 | 3.05 | 11836 | 3 6 . | | |
| 35 | 40.57 | 235 | 2.77 | 11832 | 4 0 . | | |
| 30 | 47.32 | 302 | 2.30 | 11795 | 4 5 . | | |
| 28 | 50.52 | 322 | 2.20 | 11764 | 5 0 . | | |
| 25 | 55.71 | 317 | 2.20 | 11811 | 5 6 . | | |
| 22 | 64.80 | 364 | 1.98 | 11764 | 6 3 . | | |
| 19 | 73.92 | 463 | 1.64 | 11644 | 7 1 . | | |
| 17 | 80.94 | 506 | 1.20 | 11644 | 8 0 . | | |
| 15 | 91.58 | 503 | 1.52 | 11644 | C 0 6 2 1 9 0 . _ M _ _ _ _ 1 . 1 A - - | 42.5 | 90S |
| 14 | 97.78 | 534 | 1.43 | 11644 | 1 0 0 | | |
| 13 | 110.57 | 680 | 0.93 | 11500 | 1 1 2 | | |
| 14 | 103.86 | 637 | 1.20 | 11500 | C 0 6 3 1 1 0 0 _ M _ _ _ _ 1 . 1 A - - | 47.5 | 90S |
| 12 | 117.99 | 722 | 1.06 | 11400 | 1 1 8 | | |
| 11 | 130.00 | 687 | 1.11 | 11500 | 1 3 2 | | |
| 10 | 147.69 | 773 | 0.99 | 11500 | 1 5 0 | | |
| 46 | 30.81 | 205 | 3.86 | 29049 | C 0 7 2 1 3 2 . _ M _ _ _ _ 1 . 1 A - - | 84.5 | 90S |
| 32 | 44.13 | 290 | 3.00 | 29166 | 4 5 . | | |
| 28 | 49.90 | 327 | 2.69 | 29166 | 5 0 . | | |
| 26 | 53.62 | 338 | 2.79 | 29168 | 5 6 . | | |
| 23 | 61.62 | 386 | 2.51 | 29152 | 6 3 . | | |
| 20 | 69.00 | 448 | 2.07 | 29152 | 7 1 . | | |
| 19 | 75.56 | 490 | 1.91 | 29136 | 8 0 . | | |
| 16 | 88.26 | 547 | 1.88 | 29133 | 9 0 . | | |
| 14 | 99.79 | 612 | 1.71 | 29133 | 1 0 0 | | |
| 14 | 104.32 | 665 | 1.46 | 29133 | 1 1 2 | | |
| 12 | 115.92 | 739 | 1.31 | 29100 | 1 2 5 | | |
| 10 | 138.00 | 833 | 1.34 | 29084 | 1 4 0 | | |
| 9.3 | 151.12 | 914 | 1.25 | 29084 | 1 6 0 | | |
| 6.8 | 208.65 | 1234 | 0.97 | 29000 | 2 1 2 | | |
| 6.1 | 231.83 | 1366 | 0.89 | 28900 | 2 5 0 | | |
| 14 | 97.33 | 621 | 2.16 | 29097 | C 0 7 3 1 1 0 0 _ M _ _ _ _ 1 . 1 A - - | 93.5 | 90S |
| 12 | 113.20 | 718 | 1.87 | 29029 | 1 1 8 | | |
| 11 | 125.04 | 749 | 1.47 | 29087 | 1 3 2 | | |
| 10 | 141.75 | 839 | 1.33 | 29100 | 1 5 0 | | |
| 16 | 87.29 | 546 | 3.88 | 41877 | C 0 8 2 1 9 0 . _ M _ _ _ _ 1 . 1 A - - | 134.5 | 90S |
| 14 | 98.53 | 612 | 3.53 | 41884 | 1 0 0 | | |
| 12 | 117.89 | 756 | 3.77 | 41868 | 1 2 5 | | |
| 10 | 139.29 | 851 | 2.71 | 41852 | 1 4 0 | | |
| 9.2 | 153.00 | 932 | 2.52 | 41855 | 1 6 0 | | |
| 6.9 | 204.75 | 1230 | 2.01 | 41810 | 2 1 2 | | |
| 6.0 | 235.77 | 1409 | 1.79 | 41833 | 2 5 0 | | |
| 9.0 | 156.45 | 952 | 2.85 | 41656 | C 0 8 4 1 1 6 0 _ M _ _ _ _ 1 . 1 A - - | 150.5 | 90S |
| 8.0 | 176.60 | 1069 | 2.66 | 41656 | 1 8 0 | | |
| 6.4 | 219.96 | 1338 | 2.03 | 41656 | 2 1 2 | | |
| 5.7 | 248.29 | 1503 | 1.89 | 41656 | 2 5 0 | | |
| 5.1 | 276.74 | 1683 | 1.61 | 41656 | 2 8 0 | | |
| 4.5 | 312.37 | 1891 | 1.50 | 41656 | 3 1 5 | | |
| 4.0 | 351.44 | 2137 | 1.27 | 41656 | 3 6 0 | | |
| 3.5 | 398.40 | 2421 | 1.12 | 41656 | 4 0 0 | | |
| 3.1 | 449.70 | 2720 | 1.05 | 41656 | 4 5 0 | | |
| 3.0 | 475.14 | 2886 | 0.94 | 41656 | 5 0 0 | | |
| 2.6 | 547.09 | 3321 | 0.82 | 41656 | 5 6 0 | | |
| 5.6 | 249.73 | 1485 | 3.76 | 53800 | C 0 9 2 1 2 5 0 _ M _ _ _ _ 1 . 1 A - - | 197.5 | 90S |
| 6.3 | 224.51 | 1396 | 3.42 | 53383 | C 0 9 4 1 2 1 2 _ M _ _ _ _ 1 . 1 A - - | 218.5 | 90S |
| 5.7 | 249.43 | 1544 | 3.12 | 53383 | 2 5 0 | | |
| 5.0 | 282.46 | 1756 | 2.72 | 53383 | 2 8 0 | | |
| 4.5 | 313.81 | 1942 | 2.48 | 53383 | 3 1 5 | | |
| 3.9 | 358.71 | 2229 | 2.14 | 53383 | 3 6 0 | | |
| 3.5 | 406.64 | 2526 | 1.89 | 53383 | 4 0 0 | | |
| 3.1 | 451.77 | 2794 | 1.72 | 53383 | 4 5 0 | | |
| 2.9 | 484.97 | 3010 | 1.59 | 53383 | 5 0 0 | | |
| 2.5 | 558.41 | 3464 | 1.38 | 53383 | 5 6 0 | | |
| 2.2 | 649.47 | 4025 | 1.19 | 53383 | 6 3 0 | | |
| 1.9 | 726.65 | 4495 | 1.06 | 53383 | 7 1 0 | | |
| 1.8 | 774.48 | 4794 | 1.00 | 53383 | 8 0 0 | | |
| 1.5 | 917.87 | 5672 | 0.84 | 53383 | 9 0 0 | | |

NOTE:
Other output speeds are available using 2 & 8 pole motors. Please contact our Application Engineers

SERIES C SELECTION TABLE GEARED MOTORS

1.1 kW
4 POLE

1.1 kW
6 POLE

| N2 RPM | i | M2 Nm | Fm | N | Unit Designation | kg | |
|--------------|---------|---------------|----------------|---------------|--|---------------------------|------------|
| Output Speed | Ratio | Output Torque | Service Factor | Overhung Load | Column Entry 1 - 20 Spaces to be filled when entering order | Weight of Base Mount unit | Motor Size |
| 2.8 | 495.31 | 3098 | 2.74 | 87299 | C 1 0 4 1 5 0 0 _ M _ _ _ 1 . 1 A - - | 336.5 | 90S |
| 2.6 | 544.84 | 3407 | 2.49 | 87299 | 5 6 0 | | |
| 2.3 | 626.07 | 3912 | 2.17 | 87299 | 6 3 0 | | |
| 2.0 | 709.95 | 4428 | 1.91 | 87299 | 7 1 0 | | |
| 1.8 | 783.06 | 4885 | 1.73 | 87299 | 8 0 0 | | |
| 1.6 | 896.77 | 5589 | 1.52 | 87299 | 9 0 0 | | |
| 1.4 | 1013.93 | 6311 | 1.34 | 87299 | 1 0 C | | |
| 1.3 | 1126.71 | 6983 | 1.19 | 87375 | 1 1 C | | |
| 1.2 | 1175.54 | 7304 | 1.16 | 87299 | 1 2 C | | |
| 1.0 | 1402.11 | 8690 | 0.98 | 87299 | 1 4 C | | |
| 0.88 | 1606.71 | 9836 | 0.87 | 87299 | 1 6 C | | |
| 108 | 8.59 | 80 | 1.10 | 2817 | C 0 3 2 1 8 . 0 _ M _ _ _ 1 . 1 C - - | 25.5 | 90L |
| 80 | 11.61 | 106 | 0.90 | 2803 | 1 1 . | | |
| 70 | 13.20 | 121 | 0.82 | 2796 | 1 2 . | | |
| 108 | 8.59 | 81 | 1.83 | 5280 | C 0 4 2 1 8 . 0 _ M _ _ _ 1 . 1 C - - | 27.5 | 90L |
| 80 | 11.61 | 109 | 1.49 | 5271 | 1 1 . | | |
| 70 | 13.20 | 123 | 1.36 | 5266 | 1 2 . | | |
| 62 | 14.95 | 139 | 1.24 | 5266 | 1 4 . | | |
| 57 | 16.36 | 135 | 1.17 | 5266 | 1 6 . | | |
| 48 | 19.12 | 177 | 1.03 | 5261 | 1 8 . | | |
| 45 | 20.61 | 188 | 0.99 | 5254 | 2 0 . | | |
| 42 | 22.11 | 179 | 0.95 | 5254 | 2 2 . | | |
| 37 | 25.14 | 202 | 0.86 | 5254 | 2 5 . | | |
| 111 | 8.31 | 80 | 3.03 | 7440 | C 0 5 2 1 8 . 0 _ M _ _ _ 1 . 1 C - - | 31.5 | 90L |
| 79 | 11.66 | 112 | 2.47 | 7440 | 1 1 . | | |
| 72 | 12.85 | 123 | 2.33 | 7440 | 1 2 . | | |
| 63 | 14.59 | 139 | 2.15 | 7440 | 1 4 . | | |
| 58 | 16.09 | 138 | 2.51 | 7440 | 1 6 . | | |
| 50 | 18.53 | 175 | 1.86 | 7436 | 1 8 . | | |
| 44 | 21.05 | 196 | 1.72 | 7432 | 2 0 . | | |
| 41 | 22.56 | 190 | 1.95 | 7436 | 2 2 . | | |
| 37 | 24.86 | 208 | 1.82 | 7432 | 2 5 . | | |
| 33 | 28.24 | 234 | 1.66 | 7428 | 2 8 . | | |
| 28 | 32.55 | 300 | 1.29 | 7420 | 3 2 . | | |
| 26 | 35.86 | 293 | 1.39 | 7420 | 3 6 . | | |
| 23 | 40.74 | 330 | 1.27 | 7416 | 4 0 . | | |
| 20 | 46.84 | 425 | 0.95 | 7407 | 4 5 . | | |
| 18 | 50.93 | 462 | 0.88 | 7401 | 5 0 . | | |
| 17 | 55.45 | 441 | 1.02 | 7407 | 5 6 . | | |
| 15 | 63.00 | 496 | 0.93 | 7401 | 6 3 . | | |
| 71 | 12.97 | 130 | 3.99 | 11928 | C 0 6 2 1 1 2 . _ M _ _ _ 1 . 1 C - - | 43.5 | 90L |
| 64 | 14.56 | 145 | 3.71 | 11914 | 1 4 . | | |
| 50 | 18.49 | 183 | 3.20 | 11900 | 1 8 . | | |
| 44 | 20.96 | 207 | 2.95 | 11886 | 2 0 . | | |
| 41 | 22.40 | 200 | 3.11 | 11900 | 2 2 . | | |
| 37 | 25.11 | 223 | 2.85 | 11886 | 2 5 . | | |
| 33 | 28.18 | 248 | 2.62 | 11879 | 2 8 . | | |
| 28 | 33.48 | 326 | 2.17 | 11739 | 3 2 . | | |
| 26 | 35.79 | 310 | 2.21 | 11759 | 3 6 . | | |
| 23 | 40.57 | 349 | 2.01 | 11733 | 4 0 . | | |
| 20 | 47.32 | 455 | 1.68 | 11693 | 4 5 . | | |
| 18 | 50.52 | 483 | 1.59 | 11670 | 5 0 . | | |
| 17 | 55.71 | 470 | 1.60 | 11670 | 5 6 . | | |
| 14 | 64.80 | 539 | 1.42 | 11623 | 6 3 . | | |
| 13 | 73.92 | 699 | 1.09 | 11473 | 7 1 . | | |
| 11 | 80.94 | 757 | 0.91 | 11402 | 8 0 . | | |
| 10 | 91.58 | 747 | 1.02 | 11502 | 9 0 . | | |
| 9.5 | 97.78 | 794 | 0.96 | 11402 | 1 0 0 | | |
| 30 | 30.81 | 309 | 2.78 | 29157 | C 0 7 2 1 3 2 . _ M _ _ _ 1 . 1 C - - | 85.5 | 90L |
| 21 | 44.13 | 439 | 2.15 | 29139 | 4 5 . | | |
| 19 | 49.90 | 494 | 1.94 | 29119 | 5 0 . | | |
| 17 | 53.62 | 505 | 2.00 | 29116 | 5 6 . | | |
| 15 | 61.62 | 582 | 1.79 | 29116 | 6 3 . | | |
| 13 | 69.00 | 673 | 1.56 | 29088 | 7 1 . | | |
| 12 | 75.56 | 737 | 1.44 | 29061 | 8 0 . | | |
| 10 | 88.26 | 817 | 1.36 | 29070 | 9 0 . | | |
| 9.3 | 99.79 | 923 | 1.24 | 29070 | 1 0 0 | | |
| 8.9 | 104.32 | 1004 | 1.09 | 29070 | 1 1 2 | | |
| 8.0 | 115.92 | 1111 | 0.99 | 29006 | 1 2 5 | | |
| 6.7 | 138.00 | 1256 | 0.95 | 29000 | 1 4 0 | | |
| 6.1 | 151.12 | 1365 | 0.89 | 29000 | 1 6 0 | | |
| 10 | 97.33 | 938 | 1.43 | 29011 | C 0 7 3 1 1 0 0 _ M _ _ _ 1 . 1 C - - | 94.5 | 90L |
| 8.2 | 113.20 | 1084 | 1.24 | 28964 | 1 1 8 | | |
| 7.4 | 125.04 | 1122 | 1.05 | 29000 | 1 3 2 | | |
| 6.5 | 141.75 | 1279 | 0.95 | 28941 | 1 5 0 | | |

NOTE:
Other output speeds are available using 2 & 8 pole motors. Please contact our Application Engineers

SERIES C SELECTION TABLE GEARED MOTORS

1.1 kW
6 POLE

| N2 RPM | i | M2 Nm | Fm | N | Unit Designation | kg | |
|--------------|---------|---------------|----------------|---------------|--|---------------------------|------------|
| Output Speed | Ratio | Output Torque | Service Factor | Overhung Load | Column Entry 1 - 20 Spaces to be filled when entering order | Weight of Base Mount unit | Motor Size |
| 12 | 76.50 | 754 | 3.77 | 41843 | C 0 8 2 1 8 0 . _ M _ _ _ 1 . 1 C - - | 135.5 | 90L |
| 11 | 87.29 | 819 | 2.79 | 41859 | 9 0 . | | |
| 9.4 | 98.53 | 921 | 2.54 | 41844 | 1 0 0 | | |
| 9.0 | 102.38 | 1000 | 3.04 | 41844 | 1 1 2 | | |
| 7.8 | 117.89 | 1141 | 2.55 | 41860 | 1 2 5 | | |
| 6.6 | 139.29 | 1281 | 1.94 | 41820 | 1 4 0 | | |
| 6.0 | 153.00 | 1403 | 1.80 | 41820 | 1 6 0 | | |
| 5.9 | 156.45 | 1458 | 1.86 | 41656 | C 0 8 4 1 1 6 0 _ M _ _ _ 1 . 1 C - - | 151.5 | 90L |
| 5.2 | 176.60 | 1637 | 1.74 | 41656 | 1 8 0 | | |
| 4.2 | 219.96 | 2048 | 1.33 | 41656 | 2 1 2 | | |
| 3.7 | 248.29 | 2301 | 1.24 | 41656 | 2 5 0 | | |
| 3.3 | 276.74 | 2574 | 1.05 | 41656 | 2 8 0 | | |
| 3.0 | 312.37 | 2892 | 0.98 | 41656 | 3 1 5 | | |
| 2.6 | 351.44 | 3265 | 0.83 | 41656 | 3 6 0 | | |
| 7.7 | 119.38 | 1171 | 3.97 | 53755 | C 0 9 2 1 1 2 5 _ M _ _ _ 1 . 1 C - - | 198.5 | 90L |
| 5.7 | 161.44 | 1474 | 3.78 | 53741 | C 0 9 2 1 1 6 0 _ M _ _ _ 1 . 1 C - - | 198.5 | 90L |
| 4.2 | 222.08 | 1990 | 2.80 | 53713 | 2 1 2 | | |
| 3.7 | 249.73 | 2227 | 2.51 | 53703 | 2 5 0 | | |
| 5.8 | 159.68 | 1518 | 3.15 | 53383 | C 0 9 4 1 1 6 0 _ M _ _ _ 1 . 1 C - - | 219.5 | 90L |
| 5.2 | 177.41 | 1679 | 2.87 | 53383 | 1 8 0 | | |
| 4.1 | 224.51 | 2132 | 2.24 | 53383 | 2 1 2 | | |
| 3.7 | 249.43 | 2360 | 2.04 | 53383 | 2 5 0 | | |
| 3.3 | 282.46 | 2681 | 1.78 | 53383 | 2 8 0 | | |
| 2.9 | 313.81 | 2967 | 1.62 | 53383 | 3 1 5 | | |
| 2.6 | 358.71 | 3401 | 1.41 | 53383 | 3 6 0 | | |
| 2.3 | 406.64 | 3853 | 1.24 | 53383 | 4 0 0 | | |
| 2.0 | 451.77 | 4264 | 1.13 | 53383 | 4 5 0 | | |
| 1.9 | 484.97 | 4590 | 1.04 | 53383 | 5 0 0 | | |
| 1.7 | 558.41 | 5279 | 0.91 | 53383 | 5 6 0 | | |
| 1.9 | 495.31 | 4726 | 1.79 | 87299 | C 1 0 4 1 5 0 0 _ M _ _ _ 1 . 1 C - - | 337.5 | 90L |
| 1.7 | 544.84 | 5195 | 1.63 | 87299 | 5 6 0 | | |
| 1.5 | 626.07 | 5963 | 1.42 | 87299 | 6 3 0 | | |
| 1.3 | 709.95 | 6747 | 1.26 | 87299 | 7 1 0 | | |
| 1.2 | 783.06 | 7441 | 1.14 | 87299 | 8 0 0 | | |
| 1.0 | 896.77 | 8508 | 1.00 | 87299 | 9 0 0 | | |
| 0.91 | 1013.93 | 9602 | 0.88 | 87299 | 1 0 C | | |

1.5 kW
4 POLE

| | | | | | | | |
|-----|-------|-----|------|------|---------------------------------------|------|-----|
| 165 | 8.59 | 72 | 1.12 | 2820 | C 0 3 2 1 8 . 0 _ M _ _ _ 1 . 5 A - - | 25.5 | 90L |
| 122 | 11.61 | 96 | 0.91 | 2810 | 1 1 . | | |
| 108 | 13.20 | 109 | 0.83 | 2800 | 1 2 . | | |
| 165 | 8.59 | 73 | 1.85 | 5285 | C 0 4 2 1 8 . 0 _ M _ _ _ 1 . 5 A - - | 27.5 | 90L |
| 122 | 11.61 | 98 | 1.51 | 5275 | 1 1 . | | |
| 108 | 13.20 | 111 | 1.38 | 5276 | 1 2 . | | |
| 95 | 14.95 | 125 | 1.27 | 5270 | 1 4 . | | |
| 87 | 16.36 | 123 | 1.16 | 5270 | 1 6 . | | |
| 74 | 19.12 | 158 | 1.06 | 5270 | 1 8 . | | |
| 69 | 20.61 | 170 | 1.01 | 5270 | 2 0 . | | |
| 64 | 22.11 | 164 | 0.95 | 5270 | 2 2 . | | |
| 56 | 25.14 | 185 | 0.87 | 5260 | 2 5 . | | |
| 50 | 28.48 | 207 | 0.80 | 5260 | 2 8 . | | |
| 171 | 8.31 | 72 | 2.87 | 7440 | C 0 5 2 1 8 . 0 _ M _ _ _ 1 . 5 A - - | 31.5 | 90L |
| 122 | 11.66 | 100 | 2.36 | 7440 | 1 1 . | | |
| 111 | 12.85 | 110 | 2.23 | 7440 | 1 2 . | | |
| 97 | 14.59 | 125 | 2.07 | 7437 | 1 4 . | | |
| 88 | 16.09 | 126 | 2.52 | 7440 | 1 6 . | | |
| 77 | 18.53 | 157 | 1.79 | 7440 | 1 8 . | | |
| 67 | 21.05 | 177 | 1.66 | 7436 | 2 0 . | | |
| 63 | 22.56 | 174 | 1.98 | 7436 | 2 2 . | | |
| 57 | 24.86 | 190 | 1.85 | 7436 | 2 5 . | | |
| 50 | 28.24 | 214 | 1.69 | 7432 | 2 8 . | | |
| 44 | 32.55 | 270 | 1.26 | 7428 | 3 2 . | | |
| 40 | 35.86 | 268 | 1.41 | 7428 | 3 6 . | | |
| 35 | 40.74 | 301 | 1.29 | 7428 | 4 0 . | | |
| 30 | 46.84 | 384 | 0.99 | 7430 | 4 5 . | | |
| 28 | 50.93 | 415 | 0.94 | 7420 | 5 0 . | | |
| 26 | 55.45 | 402 | 1.03 | 7420 | 5 6 . | | |
| 23 | 63.00 | 451 | 0.95 | 7410 | 6 3 . | | |

NOTE:
Other output speeds are available using 2 & 8 pole motors. Please contact our Application Engineers

SERIES C SELECTION TABLE GEARED MOTORS

1.5 kW
4 POLE

| N2 RPM | i | M2 Nm | Fm | N | Unit Designation | kg | |
|--------------|---------|---------------|----------------|---------------|--|---------------------------|------------|
| Output Speed | Ratio | Output Torque | Service Factor | Overhung Load | Column Entry 1 - 20 Spaces to be filled when entering order | Weight of Base Mount unit | Motor Size |
| 109 | 12.97 | 116 | 3.82 | 11945 | C 0 6 2 1 1 2 . _ M _ _ _ _ 1 . 5 A _ _ | 43.5 | 90L |
| 98 | 14.56 | 130 | 3.56 | 11923 | 1 4 . | | |
| 89 | 15.93 | 131 | 3.94 | 11942 | 1 6 . | | |
| 77 | 18.49 | 164 | 3.08 | 11904 | 1 8 . | | |
| 68 | 20.96 | 186 | 2.85 | 11904 | 2 0 . | | |
| 63 | 22.40 | 182 | 3.18 | 11904 | 2 2 . | | |
| 57 | 25.11 | 202 | 2.93 | 11904 | 2 5 . | | |
| 50 | 28.18 | 226 | 2.70 | 11889 | 2 8 . | | |
| 42 | 33.48 | 292 | 2.13 | 11762 | 3 2 . | | |
| 40 | 35.79 | 282 | 2.25 | 11789 | 3 6 . | | |
| 35 | 40.57 | 318 | 2.04 | 11783 | 4 0 . | | |
| 30 | 47.32 | 409 | 1.70 | 11712 | 4 5 . | | |
| 28 | 50.52 | 436 | 1.63 | 11668 | 5 0 . | | |
| 25 | 55.71 | 429 | 1.63 | 11734 | 5 6 . | | |
| 22 | 64.80 | 493 | 1.46 | 11668 | 6 3 . | | |
| 19 | 73.92 | 627 | 1.21 | 11500 | 7 1 . | | |
| 18 | 80.94 | 685 | 0.89 | 11500 | 8 0 . | | |
| 16 | 91.58 | 682 | 1.12 | 11500 | 9 0 . | | |
| 15 | 97.78 | 724 | 1.06 | 11500 | 1 0 0 | | |
| 46 | 30.81 | 278 | 2.85 | 28940 | C 0 7 2 1 3 2 . _ M _ _ _ _ 1 . 5 A _ _ | 85.5 | 90L |
| 32 | 44.13 | 393 | 2.21 | 29142 | 4 5 . | | |
| 28 | 49.90 | 443 | 1.98 | 29142 | 5 0 . | | |
| 26 | 53.62 | 458 | 2.06 | 29144 | 5 6 . | | |
| 23 | 61.62 | 523 | 1.85 | 29117 | C 0 7 2 1 6 3 . _ M _ _ _ _ 1 . 5 A _ _ | 85.5 | 90L |
| 21 | 69.00 | 606 | 1.53 | 29117 | 7 1 . | | |
| 19 | 75.56 | 663 | 1.41 | 29089 | 8 0 . | | |
| 16 | 88.26 | 740 | 1.39 | 29084 | 9 0 . | | |
| 14 | 99.79 | 829 | 1.27 | 29084 | 1 0 0 | | |
| 14 | 104.32 | 901 | 1.08 | 29084 | 1 1 2 | | |
| 12 | 115.92 | 1000 | 0.97 | 29027 | 1 2 5 | | |
| 10 | 138.00 | 1128 | 0.99 | 29000 | 1 4 0 | | |
| 9.4 | 151.12 | 1238 | 0.92 | 29000 | 1 6 0 | | |
| 15 | 97.33 | 841 | 1.59 | 29056 | C 0 7 3 1 1 0 0 _ M _ _ _ _ 1 . 5 A _ _ | 94.5 | 90L |
| 13 | 113.20 | 972 | 1.38 | 28960 | 1 1 8 | | |
| 11 | 125.04 | 1014 | 1.08 | 29006 | 1 3 2 | | |
| 10 | 141.75 | 1136 | 0.99 | 29027 | 1 5 0 | | |
| 8.9 | 159.98 | 1359 | 0.99 | 28868 | 1 6 0 | | |
| 8.3 | 170.81 | 1445 | 0.93 | 28900 | 1 8 0 | | |
| 19 | 76.50 | 677 | 3.78 | 41845 | C 0 8 2 1 8 0 . _ M _ _ _ _ 1 . 5 A _ _ | 135.5 | 90L |
| 16 | 87.29 | 739 | 2.87 | 41861 | 9 0 . | | |
| 14 | 98.53 | 829 | 2.60 | 41872 | 1 0 0 | | |
| 14 | 102.38 | 897 | 3.08 | 41872 | 1 1 2 | | |
| 12 | 117.89 | 1024 | 2.78 | 41844 | 1 2 5 | | |
| 10 | 139.29 | 1152 | 2.00 | 41817 | 1 4 0 | | |
| 9.3 | 153.00 | 1262 | 1.86 | 41822 | 1 6 0 | | |
| 6.9 | 204.75 | 1666 | 1.48 | 41744 | 2 1 2 | | |
| 6.0 | 235.77 | 1908 | 1.33 | 41784 | 2 5 0 | | |
| 9.1 | 156.45 | 1290 | 2.11 | 41656 | C 0 8 4 1 1 6 0 _ M _ _ _ _ 1 . 5 A _ _ | 151.5 | 90L |
| 8.0 | 176.60 | 1448 | 1.96 | 41656 | 1 8 0 | | |
| 6.5 | 219.96 | 1812 | 1.50 | 41656 | 2 1 2 | | |
| 5.7 | 248.29 | 2035 | 1.40 | 41656 | 2 5 0 | | |
| 5.1 | 276.74 | 2279 | 1.19 | 41656 | 2 8 0 | | |
| 4.5 | 312.37 | 2560 | 1.11 | 41656 | 3 1 5 | | |
| 4.0 | 351.44 | 2893 | 0.94 | 41656 | 3 6 0 | | |
| 3.6 | 398.40 | 3279 | 0.83 | 41656 | 4 0 0 | | |
| 6.4 | 222.08 | 1803 | 3.09 | 53736 | C 0 9 2 1 2 1 2 _ M _ _ _ _ 1 . 5 A _ _ | 198.5 | 90L |
| 5.7 | 249.73 | 2011 | 2.77 | 53727 | 2 5 0 | | |
| 8.9 | 159.68 | 1345 | 3.55 | 53383 | C 0 9 4 1 1 6 0 _ M _ _ _ _ 1 . 5 A _ _ | 219.5 | 90L |
| 8.0 | 177.41 | 1488 | 3.24 | 53383 | 1 8 0 | | |
| 6.3 | 224.51 | 1891 | 2.53 | 53383 | 2 1 2 | | |
| 5.7 | 249.43 | 2091 | 2.30 | 53383 | 2 5 0 | | |
| 5.0 | 282.46 | 2378 | 2.01 | 53383 | 2 8 0 | | |
| 4.5 | 313.81 | 2630 | 1.83 | 53383 | 3 1 5 | | |
| 4.0 | 358.71 | 3018 | 1.58 | 53383 | 3 6 0 | | |
| 3.5 | 406.64 | 3420 | 1.40 | 53383 | 4 0 0 | | |
| 3.1 | 451.77 | 3783 | 1.27 | 53383 | 4 5 0 | | |
| 2.9 | 484.97 | 4076 | 1.17 | 53383 | 5 0 0 | | |
| 2.5 | 558.41 | 4690 | 1.02 | 53383 | 5 6 0 | | |
| 2.2 | 649.47 | 5450 | 0.88 | 53383 | 6 3 0 | | |
| 2.9 | 495.31 | 4195 | 2.02 | 87299 | C 1 0 4 1 5 0 0 _ M _ _ _ _ 1 . 5 A _ _ | 337.5 | 90L |
| 2.6 | 544.84 | 4613 | 1.84 | 87299 | 5 6 0 | | |
| 2.3 | 626.07 | 5297 | 1.60 | 87299 | 6 3 0 | | |
| 2.0 | 709.95 | 5996 | 1.41 | 87299 | 7 1 0 | | |
| 1.8 | 783.06 | 6615 | 1.28 | 87299 | 8 0 0 | | |
| 1.6 | 896.77 | 7568 | 1.12 | 87299 | 9 0 0 | | |
| 1.4 | 1013.93 | 8545 | 0.99 | 87299 | 1 0 C | | |
| 1.3 | 1126.71 | 9455 | 0.88 | 87375 | 1 1 C | | |
| 1.2 | 1175.54 | 9890 | 0.86 | 87299 | 1 2 C | | |

NOTE:
Other output speeds are available using 2 & 8 pole motors. Please contact our Application Engineers

SERIES C SELECTION TABLE GEARED MOTORS

1.5 kW
6 POLE

| N2 RPM | i | M2 Nm | Fm | N | Unit Designation | kg | |
|--------------|--------|---------------|----------------|---------------|--|---------------------------|------------|
| Output Speed | Ratio | Output Torque | Service Factor | Overhung Load | Column Entry 1 - 20 Spaces to be filled when entering order | Weight of Base Mount unit | Motor Size |
| 108 | 8.59 | 109 | 0.81 | 2800 | C 0 3 2 1 8 . 0 _ M _ _ _ 1 . 5 C - - | 35 | 100L |
| 108 | 8.59 | 111 | 1.34 | 5276 | C 0 4 2 1 8 . 0 _ M _ _ _ 1 . 5 C - - | 37 | 100L |
| 80 | 11.61 | 149 | 1.09 | 5263 | 1 1 . | | |
| 70 | 13.20 | 167 | 1.00 | 5256 | 1 2 . | | |
| 62 | 14.95 | 189 | 0.91 | 5256 | 1 4 . | | |
| 57 | 16.36 | 184 | 0.85 | 5256 | 1 6 . | | |
| 111 | 8.31 | 110 | 2.22 | 7440 | C 0 5 2 1 8 . 0 _ M _ _ _ 1 . 5 C - - | 41 | 100L |
| 79 | 11.66 | 152 | 1.81 | 7440 | 1 1 . | | |
| 72 | 12.85 | 167 | 1.71 | 7440 | 1 2 . | | |
| 63 | 14.59 | 189 | 1.58 | 7440 | 1 4 . | | |
| 58 | 16.09 | 189 | 1.84 | 7440 | 1 6 . | | |
| 50 | 18.53 | 238 | 1.36 | 7433 | 1 8 . | | |
| 44 | 21.05 | 268 | 1.26 | 7427 | 2 0 . | | |
| 41 | 22.56 | 259 | 1.43 | 7433 | 2 2 . | | |
| 37 | 24.86 | 284 | 1.34 | 7427 | 2 5 . | | |
| 33 | 28.24 | 320 | 1.21 | 7421 | 2 8 . | | |
| 28 | 32.55 | 409 | 0.94 | 7409 | 3 2 . | | |
| 26 | 35.86 | 400 | 1.02 | 7409 | 3 6 . | | |
| 23 | 40.74 | 450 | 0.93 | 7402 | 4 0 . | | |
| 112 | 8.23 | 114 | 3.85 | 11933 | C 0 6 2 1 8 . 0 _ M _ _ _ 1 . 5 C - - | 53 | 100L |
| 80 | 11.57 | 158 | 3.13 | 11911 | 1 1 . | | |
| 71 | 12.97 | 177 | 2.92 | 11889 | 1 2 . | | |
| 64 | 14.56 | 198 | 2.72 | 11867 | 1 4 . | | |
| 58 | 15.93 | 198 | 2.94 | 11889 | 1 6 . | | |
| 50 | 18.49 | 250 | 2.34 | 11845 | 1 8 . | | |
| 44 | 20.96 | 282 | 2.16 | 11823 | 2 0 . | | |
| 41 | 22.40 | 273 | 2.28 | 11845 | 2 2 . | | |
| 37 | 25.11 | 304 | 2.09 | 11823 | 2 5 . | | |
| 33 | 28.18 | 339 | 1.92 | 11813 | 2 8 . | | |
| 28 | 33.48 | 445 | 1.59 | 11650 | 3 2 . | | |
| 26 | 35.79 | 423 | 1.62 | 11682 | 3 6 . | | |
| 23 | 40.57 | 477 | 1.48 | 11642 | 4 0 . | | |
| 20 | 47.32 | 621 | 1.23 | 11568 | 4 5 . | | |
| 18 | 50.52 | 658 | 1.16 | 11535 | 5 0 . | | |
| 17 | 55.71 | 642 | 1.18 | 11535 | 5 6 . | | |
| 14 | 64.80 | 736 | 1.04 | 11469 | 6 3 . | | |
| 13 | 73.92 | 953 | 0.80 | 11300 | 7 1 . | | |
| 59 | 15.80 | 214 | 3.73 | 29200 | C 0 7 2 1 1 6 . _ M _ _ _ 1 . 5 C - - | 95 | 100L |
| 46 | 20.07 | 278 | 3.80 | 29200 | 2 0 . | | |
| 42 | 21.89 | 293 | 2.93 | 29200 | 2 2 . | | |
| 38 | 24.59 | 328 | 2.69 | 29200 | 2 5 . | | |
| 34 | 27.03 | 359 | 2.50 | 29200 | 2 8 . | | |
| 30 | 30.81 | 422 | 2.04 | 29133 | 3 2 . | | |
| 26 | 35.31 | 464 | 2.04 | 29200 | 3 6 . | | |
| 23 | 40.15 | 524 | 1.84 | 29200 | 4 0 . | | |
| 21 | 44.13 | 598 | 1.58 | 29106 | 4 5 . | | |
| 19 | 49.90 | 674 | 1.42 | 29075 | 5 0 . | | |
| 17 | 53.62 | 689 | 1.46 | 29071 | 5 6 . | | |
| 15 | 61.62 | 793 | 1.31 | 29071 | 6 3 . | | |
| 13 | 69.00 | 918 | 1.14 | 29028 | 7 1 . | | |
| 12 | 75.56 | 1006 | 1.05 | 28985 | 8 0 . | | |
| 10 | 88.26 | 1114 | 1.00 | 29000 | 9 0 . | | |
| 9.3 | 99.79 | 1258 | 0.91 | 29000 | 1 0 0 . | | |
| 8.9 | 104.32 | 1369 | 0.80 | 29000 | 1 1 2 . | | |
| 10 | 97.33 | 1279 | 1.05 | 28934 | C 0 7 3 1 1 0 0 _ M _ _ _ 1 . 5 C - - | 104 | 100L |
| 8.2 | 113.20 | 1479 | 0.91 | 28868 | 1 1 8 . | | |
| 23 | 39.51 | 524 | 3.80 | 41900 | C 0 8 2 1 4 0 . _ M _ _ _ 1 . 5 C - - | 145 | 100L |
| 19 | 49.26 | 672 | 3.78 | 41836 | 5 0 . | | |
| 17 | 54.60 | 713 | 2.94 | 41900 | 5 6 . | | |
| 15 | 63.56 | 824 | 2.61 | 41900 | 6 3 . | | |
| 13 | 69.64 | 938 | 2.96 | 41811 | 7 1 . | | |
| 12 | 76.50 | 1028 | 2.76 | 41811 | 8 0 . | | |
| 11 | 87.29 | 1117 | 2.05 | 41837 | 9 0 . | | |
| 9.4 | 98.53 | 1256 | 1.86 | 41814 | 1 0 0 . | | |
| 9.0 | 102.38 | 1363 | 2.23 | 41814 | 1 1 2 . | | |
| 7.8 | 117.89 | 1556 | 1.87 | 41838 | 1 2 5 . | | |
| 6.6 | 139.29 | 1746 | 1.42 | 41776 | 1 4 0 . | | |
| 6.0 | 153.00 | 1913 | 1.32 | 41776 | 1 6 0 . | | |
| 4.5 | 204.75 | 2527 | 1.04 | 41700 | 2 1 2 . | | |
| 3.9 | 235.77 | 2872 | 0.91 | 41700 | 2 5 0 . | | |
| 5.9 | 156.45 | 1988 | 1.37 | 41656 | C 0 8 4 1 1 6 0 _ M _ _ _ 1 . 5 C - - | 161 | 100L |
| 5.2 | 176.60 | 2233 | 1.27 | 41656 | 1 8 0 . | | |
| 4.2 | 219.96 | 2792 | 0.97 | 41656 | 2 1 2 . | | |
| 3.7 | 248.29 | 3137 | 0.91 | 41656 | 2 5 0 . | | |
| 8.7 | 106.17 | 1432 | 3.22 | 53721 | C 0 9 2 1 1 1 2 _ M _ _ _ 1 . 5 C - - | 208 | 100L |
| 7.7 | 119.38 | 1597 | 2.91 | 53705 | 1 2 5 . | | |
| 6.3 | 146.23 | 1828 | 3.05 | 53689 | 1 4 0 . | | |
| 5.7 | 161.44 | 2010 | 2.78 | 53673 | 1 6 0 . | | |
| 4.2 | 222.08 | 2714 | 2.06 | 53615 | 2 1 2 . | | |
| 3.7 | 249.73 | 3037 | 1.84 | 53592 | 2 5 0 . | | |

NOTE:
Other output speeds are available using 2 & 8 pole motors. Please contact our Application Engineers

SERIES C SELECTION TABLE GEARED MOTORS

1.5 kW
6 POLE

2.2 kW
4 POLE

| N2 RPM | i | M2 Nm | Fm | N | Unit Designation | kg | |
|--------------|--------|---------------|----------------|---------------|--|---------------------------|------------|
| Output Speed | Ratio | Output Torque | Service Factor | Overhung Load | Column Entry 1 - 20 Spaces to be filled when entering order | Weight of Base Mount unit | Motor Size |
| 5.8 | 159.68 | 2070 | 2.31 | 53383 | C 0 9 4 1 1 6 0 _ M _ _ _ 1 . 5 C - - | 229 | 100L |
| 5.2 | 177.41 | 2290 | 2.10 | 53383 | 1 8 0 | | |
| 4.1 | 224.51 | 2908 | 1.64 | 53383 | 2 1 2 | | |
| 3.7 | 249.43 | 3218 | 1.50 | 53383 | 2 5 0 | | |
| 3.3 | 282.46 | 3656 | 1.31 | 53383 | 2 8 0 | | |
| 2.9 | 313.81 | 4046 | 1.19 | 53383 | 3 1 5 | | |
| 2.6 | 358.71 | 4638 | 1.03 | 53383 | 3 6 0 | | |
| 2.3 | 406.64 | 5255 | 0.91 | 53383 | 4 0 0 | | |
| 2.0 | 451.77 | 5815 | 0.83 | 53383 | 4 5 0 | | |
| 5.5 | 166.73 | 2139 | 3.98 | 87400 | C 1 0 2 1 1 6 0 _ M _ _ _ 1 . 5 C - - | 305 | 100L |
| 4.1 | 225.50 | 2845 | 3.10 | 87400 | 2 1 2 | | |
| 3.8 | 242.27 | 3044 | 2.90 | 87400 | 2 5 0 | | |
| 1.9 | 495.31 | 6445 | 1.31 | 87299 | C 1 0 4 1 5 0 0 _ M _ _ _ 1 . 5 C - - | 347 | 100L |
| 1.7 | 544.84 | 7085 | 1.20 | 87299 | 5 6 0 | | |
| 1.5 | 626.07 | 8131 | 1.04 | 87299 | 6 3 0 | | |
| 1.3 | 709.95 | 9200 | 0.92 | 87299 | 7 1 0 | | |
| 1.2 | 783.06 | 10147 | 0.84 | 87299 | 8 0 0 | | |
| 166 | 8.59 | 107 | 1.27 | 5282 | C 0 4 2 1 8 . 0 _ M _ _ _ 2 . 2 A - - | 37 | 100L |
| 123 | 11.61 | 144 | 1.03 | 5268 | 1 1 . | | |
| 108 | 13.20 | 163 | 0.94 | 5270 | 1 2 . | | |
| 95 | 14.95 | 183 | 0.87 | 5260 | 1 4 . | | |
| 171 | 8.31 | 106 | 1.96 | 7440 | C 0 5 2 1 8 . 0 _ M _ _ _ 2 . 2 A - - | 41 | 100L |
| 122 | 11.66 | 147 | 1.62 | 7440 | 1 1 . | | |
| 111 | 12.85 | 161 | 1.53 | 7440 | 1 2 . | | |
| 98 | 14.59 | 182 | 1.42 | 7435 | 1 4 . | | |
| 89 | 16.09 | 185 | 1.72 | 7440 | 1 6 . | | |
| 77 | 18.53 | 230 | 1.22 | 7440 | 1 8 . | | |
| 68 | 21.05 | 259 | 1.13 | 7433 | 2 0 . | | |
| 63 | 22.56 | 254 | 1.35 | 7433 | 2 2 . | | |
| 57 | 24.86 | 278 | 1.26 | 7433 | 2 5 . | | |
| 50 | 28.24 | 312 | 1.16 | 7426 | 2 8 . | | |
| 44 | 32.55 | 395 | 0.86 | 7420 | 3 2 . | | |
| 40 | 35.86 | 391 | 0.96 | 7420 | 3 6 . | | |
| 35 | 40.74 | 440 | 0.88 | 7420 | 4 0 . | | |
| 173 | 8.23 | 109 | 3.40 | 11928 | C 0 6 2 1 8 . 0 _ M _ _ _ 2 . 2 A - - | 53 | 100L |
| 123 | 11.57 | 152 | 2.80 | 11905 | 1 1 . | | |
| 110 | 12.97 | 170 | 2.61 | 11905 | 1 2 . | | |
| 98 | 14.56 | 191 | 2.44 | 11866 | 1 4 . | | |
| 89 | 15.93 | 191 | 2.69 | 11900 | 1 6 . | | |
| 77 | 18.49 | 240 | 2.11 | 11833 | 1 8 . | | |
| 68 | 20.96 | 272 | 1.95 | 11833 | 2 0 . | | |
| 64 | 22.40 | 266 | 2.18 | 11833 | 2 2 . | | |
| 57 | 25.11 | 296 | 2.01 | 11833 | 2 5 . | | |
| 51 | 28.18 | 331 | 1.84 | 11808 | 2 8 . | | |
| 43 | 33.48 | 427 | 1.46 | 11660 | 3 2 . | | |
| 40 | 35.79 | 413 | 1.54 | 11708 | 3 6 . | | |
| 35 | 40.57 | 465 | 1.40 | 11697 | 4 0 . | | |
| 30 | 47.32 | 598 | 1.16 | 11566 | 4 5 . | | |
| 28 | 50.52 | 637 | 1.11 | 11500 | 5 0 . | | |
| 26 | 55.71 | 627 | 1.11 | 11600 | 5 6 . | | |
| 22 | 64.80 | 720 | 1.00 | 11500 | 6 3 . | | |
| 90 | 15.80 | 205 | 3.49 | 27500 | C 0 7 2 1 1 6 . _ M _ _ _ 2 . 2 A - - | 95 | 100L |
| 81 | 17.66 | 237 | 3.70 | 28200 | 1 8 . | | |
| 71 | 20.07 | 269 | 3.42 | 29200 | 2 0 . | | |
| 65 | 21.89 | 282 | 2.77 | 29200 | 2 2 . | | |
| 58 | 24.59 | 315 | 2.54 | 29200 | 2 5 . | | |
| 53 | 27.03 | 347 | 2.37 | 29200 | 2 8 . | | |
| 46 | 30.81 | 406 | 1.95 | 28748 | 3 2 . | | |
| 40 | 35.31 | 448 | 1.94 | 29200 | 3 6 . | | |
| 35 | 40.15 | 507 | 1.76 | 29200 | 4 0 . | | |
| 32 | 44.13 | 575 | 1.51 | 29100 | 4 5 . | | |
| 29 | 49.90 | 648 | 1.36 | 29100 | 5 0 . | | |
| 27 | 53.62 | 670 | 1.41 | 29104 | 5 6 . | | |
| 23 | 61.62 | 764 | 1.27 | 29056 | 6 3 . | | |
| 21 | 69.00 | 886 | 1.05 | 29056 | 7 1 . | | |
| 19 | 75.56 | 970 | 0.96 | 29008 | 8 0 . | | |
| 16 | 88.26 | 1082 | 0.95 | 29000 | 9 0 . | | |
| 14 | 99.79 | 1211 | 0.87 | 29000 | 1 0 0 | | |
| 15 | 97.33 | 1229 | 1.09 | 28983 | C 0 7 3 1 1 0 0 _ M _ _ _ 2 . 2 A - - | 104 | 100L |
| 13 | 113.20 | 1421 | 0.94 | 28838 | 1 1 8 | | |

NOTE:
Other output speeds are available using 2 & 8 pole motors. Please contact our Application Engineers

SERIES C SELECTION TABLE GEARED MOTORS

2.2 kW

4 POLE

| N2 RPM | i | M2 Nm | Fm | N | Unit Designation | kg | |
|--------------|--------|---------------|----------------|---------------|--|---------------------------|------------|
| Output Speed | Ratio | Output Torque | Service Factor | Overhung Load | Column Entry 1 - 20 Spaces to be filled when entering order | Weight of Base Mount unit | Motor Size |
| 40 | 35.20 | 453 | 3.97 | 41900 | C 0 8 2 1 3 6 . _ M _ - _ _ 2 . 2 A - | 145 | 100L |
| 36 | 39.51 | 506 | 3.64 | 41900 | 4 0 . | | |
| 33 | 43.64 | 576 | 3.77 | 41063 | 4 5 . | | |
| 29 | 49.26 | 646 | 3.48 | 41638 | 5 0 . | | |
| 26 | 54.60 | 690 | 2.84 | 41900 | 5 6 . | | |
| 22 | 63.56 | 797 | 2.52 | 41900 | 6 3 . | | |
| 20 | 69.64 | 901 | 2.76 | 41828 | 7 1 . | | |
| 19 | 76.50 | 989 | 2.59 | 41805 | 8 0 . | | |
| 16 | 87.29 | 1081 | 1.96 | 41833 | 9 0 . | | |
| 14 | 98.53 | 1211 | 1.78 | 41852 | 1 0 0 | | |
| 14 | 102.38 | 1311 | 2.10 | 41852 | 1 1 2 | | |
| 12 | 117.89 | 1497 | 1.90 | 41804 | 1 2 5 | | |
| 10 | 139.29 | 1684 | 1.37 | 41756 | 1 4 0 | | |
| 9.3 | 153.00 | 1845 | 1.27 | 41765 | 1 6 0 | | |
| 7.0 | 204.75 | 2435 | 1.01 | 41630 | 2 1 2 | | |
| 6.0 | 235.77 | 2789 | 0.91 | 41700 | 2 5 0 | | |
| 9.1 | 156.45 | 1885 | 1.44 | 41656 | C 0 8 4 1 1 6 0 _ M _ - _ _ 2 . 2 A - | 161 | 100L |
| 8.1 | 176.60 | 2117 | 1.34 | 41656 | 1 8 0 | | |
| 6.5 | 219.96 | 2649 | 1.03 | 41656 | 2 1 2 | | |
| 5.7 | 248.29 | 2975 | 0.96 | 41656 | 2 5 0 | | |
| 5.1 | 276.74 | 3332 | 0.82 | 41656 | 2 8 0 | | |
| 14 | 103.53 | 1280 | 3.79 | 53722 | C 0 9 2 1 1 0 0 _ M _ - _ _ 2 . 2 A - | 208 | 100L |
| 13 | 106.17 | 1376 | 3.23 | 53731 | 1 1 2 | | |
| 12 | 119.38 | 1539 | 2.92 | 53714 | 1 2 5 | | |
| 10 | 146.23 | 1772 | 2.98 | 53696 | 1 4 0 | | |
| 8.8 | 161.44 | 1950 | 2.78 | 53679 | 1 6 0 | | |
| 6.4 | 222.08 | 2635 | 2.12 | 53625 | 2 1 2 | | |
| 5.7 | 249.73 | 2939 | 1.90 | 53600 | 2 5 0 | | |
| 8.9 | 159.68 | 1966 | 2.43 | 53383 | C 0 9 4 1 1 6 0 _ M _ - _ _ 2 . 2 A - | 229 | 100L |
| 8.0 | 177.41 | 2175 | 2.21 | 53383 | 1 8 0 | | |
| 6.3 | 224.51 | 2763 | 1.73 | 53383 | 2 1 2 | | |
| 5.7 | 249.43 | 3057 | 1.58 | 53383 | 2 5 0 | | |
| 5.0 | 282.46 | 3475 | 1.38 | 53383 | 2 8 0 | | |
| 4.5 | 313.81 | 3844 | 1.25 | 53383 | 3 1 5 | | |
| 4.0 | 358.71 | 4411 | 1.08 | 53383 | 3 6 0 | | |
| 3.5 | 406.64 | 4998 | 0.96 | 53383 | 4 0 0 | | |
| 3.2 | 451.77 | 5530 | 0.87 | 53383 | 4 5 0 | | |
| 2.9 | 484.97 | 5957 | 0.80 | 53383 | 5 0 0 | | |
| 8.5 | 166.73 | 2067 | 3.85 | 87400 | C 1 0 2 1 1 6 0 _ M _ - _ _ 2 . 2 A - | 305 | 100L |
| 6.3 | 225.50 | 2755 | 3.04 | 87400 | 2 1 2 | | |
| 5.9 | 242.27 | 2948 | 2.87 | 87400 | 2 5 0 | | |
| 2.9 | 495.31 | 6132 | 1.38 | 87299 | C 1 0 4 1 5 0 0 _ M _ - _ _ 2 . 2 A - | 347 | 100L |
| 2.6 | 544.84 | 6742 | 1.26 | 87299 | 5 6 0 | | |
| 2.3 | 626.07 | 7741 | 1.09 | 87299 | 6 3 0 | | |
| 2.0 | 709.95 | 8763 | 0.97 | 87299 | 7 1 0 | | |
| 1.8 | 783.06 | 9669 | 0.88 | 87299 | 8 0 0 | | |

2.2 kW

6 POLE

| | | | | | | | |
|-----|-------|-----|------|-------|---------------------------------------|----|------|
| 111 | 8.59 | 159 | 0.94 | 5270 | C 0 4 2 1 8 . 0 _ M _ - _ _ 2 . 2 C - | 45 | 112M |
| 114 | 8.31 | 157 | 1.56 | 7440 | C 0 5 2 1 8 . 0 _ M _ - _ _ 2 . 2 C - | 49 | 112M |
| 81 | 11.66 | 218 | 1.27 | 7440 | 1 1 . | | |
| 74 | 12.85 | 239 | 1.20 | 7440 | 1 2 . | | |
| 65 | 14.59 | 271 | 1.11 | 7440 | 1 4 . | | |
| 59 | 16.09 | 270 | 1.29 | 7440 | 1 6 . | | |
| 51 | 18.53 | 340 | 0.95 | 7430 | 1 8 . | | |
| 45 | 21.05 | 383 | 0.88 | 7420 | 2 0 . | | |
| 42 | 22.56 | 370 | 1.00 | 7430 | 2 2 . | | |
| 38 | 24.86 | 406 | 0.94 | 7420 | 2 5 . | | |
| 34 | 28.24 | 457 | 0.85 | 7410 | 2 8 . | | |
| 115 | 8.23 | 162 | 2.69 | 11892 | C 0 6 2 1 8 . 0 _ M _ - _ _ 2 . 2 C - | 65 | 112M |
| 82 | 11.57 | 226 | 2.20 | 11857 | 1 1 . | | |
| 73 | 12.97 | 253 | 2.05 | 11821 | 1 2 . | | |
| 65 | 14.56 | 283 | 1.90 | 11785 | 1 4 . | | |
| 60 | 15.93 | 283 | 2.06 | 11821 | 1 6 . | | |
| 51 | 18.49 | 357 | 1.64 | 11750 | 1 8 . | | |
| 45 | 20.96 | 403 | 1.52 | 11714 | 2 0 . | | |
| 42 | 22.40 | 390 | 1.60 | 11750 | 2 2 . | | |
| 38 | 25.11 | 435 | 1.46 | 11714 | 2 5 . | | |
| 34 | 28.18 | 484 | 1.34 | 11697 | 2 8 . | | |
| 28 | 33.48 | 635 | 1.12 | 11496 | 3 2 . | | |
| 27 | 35.79 | 605 | 1.13 | 11547 | 3 6 . | | |
| 23 | 40.57 | 681 | 1.03 | 11482 | 4 0 . | | |
| 20 | 47.32 | 886 | 0.86 | 11350 | 4 5 . | | |
| 19 | 50.52 | 940 | 0.81 | 11300 | 5 0 . | | |
| 17 | 55.71 | 917 | 0.82 | 11300 | 5 6 . | | |

NOTE:

Other output speeds are available using 2 & 8 pole motors. Please contact our Application Engineers

SERIES C SELECTION TABLE GEARED MOTORS

2.2 kW

6 POLE

| N2 RPM | i | M2 Nm | Fm | N | Unit Designation | kg | |
|--------------|--------|---------------|----------------|---------------|--|---------------------------|------------|
| Output Speed | Ratio | Output Torque | Service Factor | Overhung Load | Column Entry 1 - 20 Spaces to be filled when entering order | Weight of Base Mount unit | Motor Size |
| 120 | 7.90 | 160 | 3.84 | 24856 | C 0 7 2 1 8 . 0 _ M _ - _ _ 2 . 2 C - - | 109 | 112M |
| 87 | 10.94 | 221 | 3.84 | 26975 | 1 1 . | | |
| 77 | 12.29 | 248 | 3.61 | 27838 | 1 2 . | | |
| 70 | 13.52 | 272 | 3.41 | 28591 | 1 4 . | | |
| 60 | 15.80 | 305 | 2.61 | 28978 | 1 6 . | | |
| 54 | 17.66 | 353 | 2.89 | 28908 | 1 8 . | | |
| 47 | 20.07 | 398 | 2.66 | 28966 | 2 0 . | | |
| 43 | 21.89 | 419 | 2.05 | 29165 | 2 2 . | | |
| 39 | 24.59 | 468 | 1.88 | 29165 | 2 5 . | | |
| 35 | 27.03 | 513 | 1.75 | 29165 | C 0 7 2 1 2 8 . _ M _ - _ _ 2 . 2 C - - | 109 | 112M |
| 31 | 30.81 | 603 | 1.43 | 29092 | 3 2 . | | |
| 27 | 35.31 | 663 | 1.43 | 29144 | 3 6 . | | |
| 24 | 40.15 | 749 | 1.29 | 29116 | 4 0 . | | |
| 22 | 44.13 | 854 | 1.11 | 29048 | 4 5 . | | |
| 19 | 49.90 | 963 | 0.99 | 28998 | 5 0 . | | |
| 18 | 53.62 | 984 | 1.03 | 28991 | 5 6 . | | |
| 15 | 61.62 | 1133 | 0.92 | 28991 | 6 3 . | | |
| 14 | 69.00 | 1311 | 0.80 | 28921 | 7 1 . | | |
| 39 | 24.47 | 474 | 3.84 | 41597 | C 0 8 2 1 2 5 . _ M _ - _ _ 2 . 2 C - - | 152 | 112M |
| 35 | 27.22 | 524 | 3.54 | 41795 | 2 8 . | | |
| 30 | 31.78 | 626 | 3.56 | 41748 | 3 2 . | | |
| 27 | 35.20 | 670 | 2.91 | 41888 | 3 6 . | | |
| 24 | 39.51 | 748 | 2.66 | 41876 | 4 0 . | | |
| 22 | 43.64 | 855 | 2.87 | 41848 | 4 5 . | | |
| 19 | 49.26 | 960 | 2.64 | 41797 | 5 0 . | | |
| 17 | 54.60 | 1019 | 2.06 | 41865 | 5 6 . | | |
| 15 | 63.56 | 1177 | 1.83 | 41847 | 6 3 . | | |
| 14 | 69.64 | 1340 | 2.07 | 41757 | 7 1 . | | |
| 12 | 76.50 | 1468 | 1.93 | 41757 | 8 0 . | | |
| 11 | 87.29 | 1595 | 1.43 | 41799 | 9 0 . | | |
| 10 | 98.53 | 1793 | 1.30 | 41760 | 1 0 0 | | |
| 9.3 | 102.38 | 1947 | 1.56 | 41760 | 1 1 2 | | |
| 8.1 | 117.89 | 2223 | 1.31 | 41800 | 1 2 5 | | |
| 6.8 | 139.29 | 2494 | 0.99 | 41700 | 1 4 0 | | |
| 6.2 | 153.00 | 2732 | 0.92 | 41700 | 1 6 0 | | |
| 6.1 | 156.45 | 2839 | 0.96 | 41656 | C 0 8 4 1 1 6 0 _ M _ - _ _ 2 . 2 C - - | 175 | 112M |
| 5.4 | 176.60 | 3189 | 0.89 | 41656 | 1 8 0 | | |
| 14 | 69.91 | 1363 | 3.26 | 53714 | C 0 9 2 1 7 1 . _ M _ - _ _ 2 . 2 C - - | 215 | 112M |
| 12 | 77.18 | 1502 | 2.98 | 53692 | 8 0 . | | |
| 10 | 93.18 | 1703 | 3.08 | 53671 | 9 0 . | | |
| 9.2 | 103.53 | 1883 | 2.86 | 53649 | 1 0 0 | | |
| 8.9 | 106.17 | 2045 | 2.25 | 53647 | 1 1 2 | | |
| 8.0 | 119.38 | 2282 | 2.04 | 53616 | 1 2 5 | | |
| 6.5 | 146.23 | 2611 | 2.14 | 53586 | 1 4 0 | | |
| 5.9 | 161.44 | 2871 | 1.94 | 53555 | 1 6 0 | | |
| 4.3 | 222.08 | 3876 | 1.44 | 53443 | 2 1 2 | | |
| 3.8 | 249.73 | 4337 | 1.29 | 53398 | 2 5 0 | | |
| 5.9 | 159.68 | 2956 | 1.62 | 53383 | C 0 9 4 1 1 6 0 _ M _ - _ _ 2 . 2 C - - | 243 | 112M |
| 5.4 | 177.41 | 3270 | 1.47 | 53383 | 1 8 0 | | |
| 4.2 | 224.51 | 4153 | 1.15 | 53383 | 2 1 2 | | |
| 3.8 | 249.43 | 4596 | 1.05 | 53383 | 2 5 0 | | |
| 3.4 | 282.46 | 5221 | 0.92 | 53383 | 2 8 0 | | |
| 3.0 | 313.81 | 5778 | 0.83 | 53383 | 3 1 5 | | |
| 8.2 | 115.82 | 2240 | 3.53 | 87400 | C 1 0 2 1 1 2 5 _ M _ - _ _ 2 . 2 C - - | 312 | 112M |
| 6.6 | 144.71 | 2668 | 3.12 | 87376 | 1 4 0 | | |
| 5.7 | 166.73 | 3055 | 2.79 | 87365 | 1 6 0 | | |
| 4.2 | 225.50 | 4064 | 2.17 | 87347 | 2 1 2 | | |
| 3.9 | 242.27 | 4347 | 2.03 | 87347 | 2 5 0 | | |
| 1.9 | 495.31 | 9204 | 0.92 | 87299 | C 1 0 4 1 5 0 0 _ M _ - _ _ 2 . 2 C - - | 361 | 112M |
| 1.7 | 544.84 | 10117 | 0.84 | 87299 | 5 6 0 | | |

NOTE:

Other output speeds are available using 2 & 8 pole motors. Please contact our Application Engineers

SERIES C SELECTION TABLE GEARED MOTORS

3.0 kW
4 POLE

| N2 RPM | i | M2 Nm | Fm | N | Unit Designation | kg | |
|--------------|--------|---------------|----------------|---------------|--|---------------------------|------------|
| Output Speed | Ratio | Output Torque | Service Factor | Overhung Load | Column Entry 1 - 20 Spaces to be filled when entering order | Weight of Base Mount unit | Motor Size |
| 166 | 8.59 | 147 | 0.93 | 5280 | C 0 4 2 1 8 . 0 _ M _ _ _ 3 . 0 A - - | 37 | 100L |
| 171 | 8.31 | 145 | 1.44 | 7440 | C 0 5 2 1 8 . 0 _ M _ _ _ 3 . 0 A - - | 41 | 100L |
| 122 | 11.66 | 200 | 1.19 | 7440 | 1 1 . | | |
| 111 | 12.85 | 220 | 1.12 | 7440 | 1 2 . | | |
| 98 | 14.59 | 249 | 1.04 | 7432 | 1 4 . | | |
| 89 | 16.09 | 253 | 1.26 | 7440 | 1 6 . | | |
| 77 | 18.53 | 314 | 0.90 | 7440 | 1 8 . | | |
| 68 | 21.05 | 354 | 0.83 | 7430 | 2 0 . | | |
| 63 | 22.56 | 347 | 0.99 | 7430 | 2 2 . | | |
| 57 | 24.86 | 379 | 0.93 | 7430 | 2 5 . | | |
| 50 | 28.24 | 426 | 0.85 | 7420 | 2 8 . | | |
| 173 | 8.23 | 149 | 2.50 | 11894 | C 0 6 2 1 8 . 0 _ M _ _ _ 3 . 0 A - - | 53 | 100L |
| 123 | 11.57 | 208 | 2.05 | 11858 | 1 1 . | | |
| 110 | 12.97 | 232 | 1.92 | 11858 | 1 2 . | | |
| 98 | 14.56 | 260 | 1.79 | 11802 | 1 4 . | | |
| 89 | 15.93 | 261 | 1.98 | 11851 | 1 6 . | | |
| 77 | 18.49 | 328 | 1.55 | 11752 | 1 8 . | | |
| 68 | 20.96 | 370 | 1.43 | 11752 | 2 0 . | | |
| 64 | 22.40 | 362 | 1.60 | 11752 | 2 2 . | | |
| 57 | 25.11 | 403 | 1.47 | 11752 | 2 5 . | | |
| 51 | 28.18 | 451 | 1.35 | 11715 | 2 8 . | | |
| 43 | 33.48 | 583 | 1.07 | 11544 | 3 2 . | | |
| 40 | 35.79 | 563 | 1.13 | 11615 | 3 6 . | | |
| 35 | 40.57 | 634 | 1.03 | 11600 | C 0 6 2 1 4 0 . _ M _ _ _ 3 . 0 A - - | 53 | 100L |
| 30 | 47.32 | 815 | 0.85 | 11400 | 4 5 . | | |
| 130 | 10.94 | 201 | 3.64 | 24654 | C 0 7 2 1 1 1 . _ M _ _ _ 3 . 0 A - - | 95 | 100L |
| 116 | 12.29 | 227 | 3.37 | 25318 | 1 2 . | | |
| 105 | 13.52 | 249 | 3.19 | 25990 | 1 4 . | | |
| 90 | 15.80 | 279 | 2.56 | 27218 | 1 6 . | | |
| 81 | 17.66 | 323 | 2.72 | 27800 | 1 8 . | | |
| 71 | 20.07 | 367 | 2.51 | 28732 | 2 0 . | | |
| 65 | 21.89 | 385 | 2.03 | 28898 | 2 2 . | | |
| 58 | 24.59 | 430 | 1.86 | 28943 | 2 5 . | | |
| 53 | 27.03 | 473 | 1.74 | 29018 | 2 8 . | | |
| 46 | 30.81 | 554 | 1.43 | 28530 | 3 2 . | | |
| 40 | 35.31 | 611 | 1.42 | 29151 | 3 6 . | | |
| 35 | 40.15 | 691 | 1.29 | 29151 | 4 0 . | | |
| 32 | 44.13 | 785 | 1.11 | 29051 | 4 5 . | | |
| 29 | 49.90 | 883 | 1.00 | 29051 | 5 0 . | | |
| 27 | 53.62 | 913 | 1.04 | 29057 | 5 6 . | | |
| 23 | 61.62 | 1042 | 0.93 | 28986 | 6 3 . | | |
| 58 | 24.47 | 434 | 3.80 | 38856 | C 0 8 2 1 2 5 . _ M _ _ _ 3 . 0 A - - | 145 | 100L |
| 52 | 27.22 | 480 | 3.54 | 39518 | 2 8 . | | |
| 45 | 31.78 | 577 | 3.37 | 40736 | 3 2 . | | |
| 40 | 35.20 | 618 | 2.91 | 41500 | 3 6 . | | |
| 36 | 39.51 | 690 | 2.67 | 41563 | 4 0 . | | |
| 33 | 43.64 | 785 | 2.76 | 40657 | 4 5 . | | |
| 29 | 49.26 | 881 | 2.55 | 41512 | 5 0 . | | |
| 26 | 54.60 | 942 | 2.08 | 41884 | 5 6 . | | |
| 22 | 63.56 | 1087 | 1.85 | 41869 | 6 3 . | | |
| 20 | 69.64 | 1229 | 2.02 | 41794 | 7 1 . | | |
| 19 | 76.50 | 1349 | 1.90 | 41758 | 8 0 . | | |
| 16 | 87.29 | 1474 | 1.44 | 41801 | 9 0 . | | |
| 14 | 98.53 | 1652 | 1.31 | 41828 | 1 0 0 | | |
| 14 | 102.38 | 1788 | 1.54 | 41828 | 1 1 2 | | |
| 12 | 117.89 | 2042 | 1.40 | 41757 | 1 2 5 | | |
| 10 | 139.29 | 2296 | 1.01 | 41686 | 1 4 0 | | |
| 9.3 | 153.00 | 2517 | 0.93 | 41700 | 1 6 0 | | |
| 9.1 | 156.45 | 2570 | 1.06 | 41656 | C 0 8 4 1 1 6 0 _ M _ _ _ 3 . 0 A - - | 161 | 100L |
| 8.1 | 176.60 | 2887 | 0.99 | 41656 | 1 8 0 | | |
| 20 | 69.91 | 1250 | 3.41 | 53723 | C 0 9 2 1 7 1 . _ M _ _ _ 3 . 0 A - - | 208 | 100L |
| 18 | 77.18 | 1380 | 3.12 | 53704 | 8 0 . | | |
| 15 | 93.18 | 1578 | 2.98 | 53684 | 9 0 . | | |
| 14 | 103.53 | 1745 | 2.78 | 53665 | 1 0 0 | | |
| 13 | 106.17 | 1877 | 2.37 | 53681 | 1 1 2 | | |
| 12 | 119.38 | 2098 | 2.14 | 53651 | 1 2 5 | | |
| 10 | 146.23 | 2417 | 2.19 | 53621 | 1 4 0 | | |
| 8.8 | 161.44 | 2660 | 2.04 | 53592 | 1 6 0 | | |
| 6.4 | 222.08 | 3593 | 1.55 | 53497 | 2 1 2 | | |
| 5.7 | 249.73 | 4007 | 1.39 | 53454 | 2 5 0 | | |
| 8.9 | 159.68 | 2681 | 1.78 | 53383 | C 0 9 4 1 1 6 0 _ M _ _ _ 3 . 0 A - - | 229 | 100L |
| 8.0 | 177.41 | 2966 | 1.62 | 53383 | 1 8 0 | | |
| 6.3 | 224.51 | 3769 | 1.27 | 53383 | 2 1 2 | | |
| 5.7 | 249.43 | 4169 | 1.16 | 53383 | 2 5 0 | | |
| 5.0 | 282.46 | 4739 | 1.01 | 53383 | 2 8 0 | | |
| 4.5 | 313.81 | 5243 | 0.92 | 53383 | 3 1 5 | | |

NOTE:
Other output speeds are available using 2 & 8 pole motors. Please contact our Application Engineers

SERIES C SELECTION TABLE GEARED MOTORS

3.0 kW
4 POLE

3.0 kW
6 POLE

NOTE:
Other output speeds are available using 2 & 8 pole motors. Please contact our Application Engineers

| N2 RPM | i | M2 Nm | Fm | N | Unit Designation | kg | |
|--------------|--------|---------------|----------------|---------------|--|---------------------------|------------|
| Output Speed | Ratio | Output Torque | Service Factor | Overhung Load | Column Entry 1 - 20 Spaces to be filled when entering order | Weight of Base Mount unit | Motor Size |
| 12 | 115.82 | 2064 | 3.87 | 87400 | C 1 0 2 1 1 2 5 _ M _ _ _ 3 . 0 A - - | 305 | 100L |
| 10 | 144.71 | 2462 | 3.15 | 87381 | 1 4 0 | | |
| 8.5 | 166.73 | 2818 | 2.82 | 87372 | 1 6 0 | | |
| 6.3 | 225.50 | 3757 | 2.23 | 87369 | 2 1 2 | | |
| 5.9 | 242.27 | 4021 | 2.11 | 87369 | 2 5 0 | | |
| 2.9 | 495.31 | 8361 | 1.01 | 87299 | C 1 0 4 1 5 0 0 _ M _ _ _ 3 . 0 A - - | 347 | 100L |
| 2.6 | 544.84 | 9194 | 0.92 | 87299 | 5 6 0 | | |
| 2.3 | 626.07 | 10557 | 0.80 | 87299 | 6 3 0 | | |
| 116 | 8.23 | 221 | 1.99 | 11846 | C 0 6 2 1 8 . 0 _ M _ _ _ 3 . 0 C - - | 82 | 132S |
| 83 | 11.57 | 307 | 1.62 | 11794 | 1 1 . | | |
| 74 | 12.97 | 343 | 1.51 | 11743 | 1 2 . | | |
| 66 | 14.56 | 384 | 1.40 | 11692 | 1 4 . | | |
| 60 | 15.93 | 384 | 1.52 | 11743 | 1 6 . | | |
| 52 | 18.49 | 484 | 1.21 | 11641 | 1 8 . | | |
| 46 | 20.96 | 547 | 1.12 | 11589 | 2 0 . | | |
| 43 | 22.40 | 530 | 1.18 | 11641 | 2 2 . | | |
| 38 | 25.11 | 590 | 1.08 | 11589 | 2 5 . | | |
| 34 | 28.18 | 657 | 0.99 | 11565 | 2 8 . | | |
| 29 | 33.48 | 862 | 0.82 | 11320 | 3 2 . | | |
| 27 | 35.79 | 820 | 0.84 | 11392 | 3 6 . | | |
| 121 | 7.90 | 217 | 2.83 | 24578 | C 0 7 2 1 8 . 0 _ M _ _ _ 3 . 0 C - - | 126 | 132S |
| 87 | 10.94 | 300 | 2.83 | 26605 | 1 1 . | | |
| 78 | 12.29 | 336 | 2.66 | 27425 | 1 2 . | | |
| 71 | 13.52 | 369 | 2.51 | 28125 | 1 4 . | | |
| 60 | 15.80 | 414 | 1.92 | 28725 | 1 6 . | | |
| 54 | 17.66 | 479 | 2.13 | 28575 | 1 8 . | | |
| 48 | 20.07 | 539 | 1.96 | 28700 | 2 0 . | | |
| 44 | 21.89 | 568 | 1.51 | 29125 | 2 2 . | | |
| 39 | 24.59 | 635 | 1.39 | 29125 | 2 5 . | | |
| 35 | 27.03 | 696 | 1.29 | 29125 | 2 8 . | | |
| 31 | 30.81 | 818 | 1.05 | 29046 | 3 2 . | | |
| 27 | 35.31 | 899 | 1.05 | 29080 | 3 6 . | | |
| 24 | 40.15 | 1016 | 0.95 | 29020 | 4 0 . | | |
| 22 | 44.13 | 1159 | 0.82 | 28982 | 4 5 . | | |
| 61 | 15.54 | 414 | 3.91 | 37968 | C 0 8 2 1 1 6 . _ M _ _ _ 3 . 0 C - - | 169 | 132S |
| 54 | 17.60 | 479 | 3.81 | 38900 | 1 8 . | | |
| 48 | 19.76 | 538 | 3.55 | 40105 | 2 0 . | | |
| 43 | 22.03 | 581 | 3.06 | 41142 | 2 2 . | | |
| 39 | 24.47 | 643 | 2.83 | 41252 | 2 5 . | | |
| 35 | 27.22 | 711 | 2.61 | 41675 | 2 8 . | | |
| 30 | 31.78 | 850 | 2.62 | 41575 | 3 2 . | | |
| 27 | 35.20 | 908 | 2.15 | 41875 | 3 6 . | | |
| 24 | 39.51 | 1015 | 1.96 | 41850 | 4 0 . | | |
| 22 | 43.64 | 1160 | 2.12 | 41826 | 4 5 . | | |
| 19 | 49.26 | 1302 | 1.95 | 41752 | 5 0 . | | |
| 17 | 54.60 | 1382 | 1.52 | 41825 | 5 6 . | | |
| 15 | 63.56 | 1596 | 1.35 | 41787 | 6 3 . | | |
| 14 | 69.64 | 1818 | 1.53 | 41694 | 7 1 . | | |
| 12 | 76.50 | 1991 | 1.43 | 41694 | 8 0 . | | |
| 11 | 87.29 | 2164 | 1.06 | 41755 | 9 0 . | | |
| 10 | 98.53 | 2433 | 0.96 | 41700 | 1 0 0 | | |
| 9.3 | 102.38 | 2642 | 1.15 | 41700 | 1 1 2 | | |
| 21 | 44.55 | 1195 | 3.55 | 53734 | C 0 9 2 1 4 5 . _ M _ _ _ 3 . 0 C - - | 232 | 132S |
| 19 | 49.49 | 1326 | 3.23 | 53712 | 5 0 . | | |
| 14 | 69.91 | 1849 | 2.40 | 53666 | 7 1 . | | |
| 12 | 77.18 | 2037 | 2.20 | 53633 | 8 0 . | | |
| 10 | 93.18 | 2310 | 2.27 | 53600 | 9 0 . | | |
| 9.2 | 103.53 | 2555 | 2.11 | 53566 | 1 0 0 | | |
| 9.0 | 106.17 | 2774 | 1.66 | 53563 | 1 1 2 | | |
| 8.0 | 119.38 | 3095 | 1.50 | 53515 | 1 2 5 | | |
| 6.5 | 146.23 | 3542 | 1.58 | 53468 | 1 4 0 | | |
| 5.9 | 161.44 | 3895 | 1.43 | 53421 | 1 6 0 | | |
| 4.3 | 222.08 | 5258 | 1.06 | 53246 | 2 1 2 | | |
| 3.8 | 249.73 | 5883 | 0.95 | 53176 | 2 5 0 | | |
| 6.0 | 159.68 | 4010 | 1.19 | 53383 | C 0 9 4 1 1 6 0 _ M _ _ _ 3 . 0 C - - | 260 | 132S |
| 5.4 | 177.41 | 4437 | 1.09 | 53383 | 1 8 0 | | |
| 4.3 | 224.51 | 5634 | 0.85 | 53383 | 2 1 2 | | |
| 10 | 91.32 | 2328 | 3.30 | 87384 | C 1 0 2 1 9 0 . _ M _ _ _ 3 . 0 C - - | 329 | 132S |
| 9.4 | 101.47 | 2575 | 3.04 | 87368 | 1 0 0 | | |
| 8.9 | 107.80 | 2836 | 3.07 | 87400 | 1 1 2 | | |
| 8.2 | 115.82 | 3038 | 2.60 | 87400 | 1 2 5 | | |
| 6.6 | 144.71 | 3619 | 2.30 | 87350 | 1 4 0 | | |
| 5.7 | 166.73 | 4144 | 2.06 | 87325 | 1 6 0 | | |
| 4.2 | 225.50 | 5513 | 1.60 | 87287 | 2 1 2 | | |
| 3.9 | 242.27 | 5897 | 1.50 | 87287 | 2 5 0 | | |

SERIES C

SELECTION TABLE

GEARED MOTORS

3.0 kW
6 POLE

4.0 kW
4 POLE

| N2 RPM | i | M2 Nm | Fm | N | Unit Designation | kg | | | |
|--------------|--------|---------------|----------------|---------------|--|---------------------------|------------|-----|------|
| Output Speed | Ratio | Output Torque | Service Factor | Overhung Load | Column Entry 1 - 20 Spaces to be filled when entering order | Weight of Base Mount unit | Motor Size | | |
| 5.9 | 160.55 | 4062 | 2.09 | 87299 | C 1 0 4 1 1 6 0 _ M _ _ _ 3 . 0 C - - | 378 | 132S | | |
| 5.4 | 178.41 | 4494 | 1.84 | 87375 | 1 8 0 | | | | |
| 4.3 | 222.38 | 5623 | 1.51 | 87299 | 2 1 2 | | | | |
| 3.9 | 247.12 | 6221 | 1.33 | 87375 | 2 5 0 | | | | |
| 3.5 | 274.67 | 6942 | 1.22 | 87299 | 2 8 0 | | | | |
| 3.1 | 305.22 | 7680 | 1.08 | 87375 | 3 1 5 | | | | |
| 2.7 | 358.77 | 9058 | 0.94 | 87299 | 3 6 0 | | | | |
| 2.3 | 407.90 | 10293 | 0.82 | 87299 | 4 0 0 | | | | |
| 173 | 8.31 | 192 | 1.09 | 7440 | C 0 5 2 1 8 . 0 _ M _ _ _ 4 . 0 A - - | 49 | 112M | | |
| 123 | 11.66 | 265 | 0.90 | 7440 | 1 1 . | | | | |
| 112 | 12.85 | 291 | 0.85 | 7440 | 1 2 . | | | | |
| 174 | 8.23 | 197 | 1.89 | 11851 | C 0 6 2 1 8 . 0 _ M _ _ _ 4 . 0 A - - | 65 | 112M | | |
| 124 | 11.57 | 275 | 1.55 | 11801 | 1 1 . | | | | |
| 111 | 12.97 | 308 | 1.45 | 11801 | 1 2 . | | | | |
| 99 | 14.56 | 344 | 1.35 | 11721 | 1 4 . | | | | |
| 90 | 15.93 | 346 | 1.49 | 11790 | 1 6 . | | | | |
| 78 | 18.49 | 435 | 1.17 | 11651 | 1 8 . | | | | |
| 68 | 20.96 | 491 | 1.08 | 11651 | 2 0 . | | | | |
| 64 | 22.40 | 480 | 1.20 | 11651 | 2 2 . | | | | |
| 57 | 25.11 | 534 | 1.11 | 11651 | 2 5 . | | | | |
| 51 | 28.18 | 597 | 1.02 | 11600 | 2 8 . | | | | |
| 43 | 33.48 | 772 | 0.81 | 11400 | 3 2 . | | | | |
| 40 | 35.79 | 746 | 0.85 | 11500 | 3 6 . | | | | |
| 182 | 7.90 | 193 | 3.19 | 22778 | C 0 7 2 1 8 . 0 _ M _ _ _ 4 . 0 A - - | | | 109 | 112M |
| 131 | 10.94 | 267 | 2.75 | 24347 | 1 1 . | | | | |
| 117 | 12.29 | 301 | 2.55 | 24965 | 1 2 . | | | | |
| 106 | 13.52 | 329 | 2.41 | 25604 | 1 4 . | | | | |
| 91 | 15.80 | 370 | 1.93 | 26865 | 1 6 . | | | | |
| 81 | 17.66 | 428 | 2.05 | 27300 | 1 8 . | | | | |
| 71 | 20.07 | 485 | 1.90 | 28147 | 2 0 . | | | | |
| 66 | 21.89 | 509 | 1.53 | 28520 | 2 2 . | | | | |
| 58 | 24.59 | 570 | 1.41 | 28622 | 2 5 . | | | | |
| 53 | 27.03 | 626 | 1.31 | 28792 | 2 8 . | | | | |
| 47 | 30.81 | 734 | 1.08 | 28256 | 3 2 . | | | | |
| 41 | 35.31 | 810 | 1.08 | 29090 | 3 6 . | | | | |
| 36 | 40.15 | 915 | 0.98 | 29090 | 4 0 . | | | | |
| 33 | 44.13 | 1039 | 0.84 | 28990 | 4 5 . | | | | |
| 92 | 15.54 | 369 | 3.76 | 34793 | C 0 8 2 1 1 6 . _ M _ _ _ 4 . 0 A - - | 152 | 112M | | |
| 82 | 17.60 | 431 | 3.66 | 35596 | 1 8 . | | | | |
| 73 | 19.76 | 483 | 3.41 | 36798 | 2 0 . | | | | |
| 65 | 22.03 | 519 | 3.04 | 37796 | 2 2 . | | | | |
| 59 | 24.47 | 574 | 2.87 | 38426 | 2 5 . | | | | |
| 53 | 27.22 | 636 | 2.67 | 39040 | 2 8 . | | | | |
| 45 | 31.78 | 765 | 2.55 | 40031 | 3 2 . | | | | |
| 41 | 35.20 | 819 | 2.20 | 41000 | 3 6 . | | | | |
| 36 | 39.51 | 913 | 2.01 | 41143 | 4 0 . | | | | |
| 33 | 43.64 | 1040 | 2.09 | 40150 | 4 5 . | | | | |
| 29 | 49.26 | 1167 | 1.93 | 41353 | 5 0 . | | | | |
| 26 | 54.60 | 1247 | 1.57 | 41866 | 5 6 . | | | | |
| 23 | 63.56 | 1440 | 1.40 | 41832 | 6 3 . | | | | |
| 21 | 69.64 | 1628 | 1.53 | 41751 | 7 1 . | | | | |
| 19 | 76.50 | 1787 | 1.43 | 41701 | 8 0 . | | | | |
| 16 | 87.29 | 1951 | 1.09 | 41760 | 9 0 . | | | | |
| 15 | 98.53 | 2188 | 0.99 | 41800 | 1 0 0 | | | | |
| 14 | 102.38 | 2368 | 1.17 | 41800 | 1 1 2 | | | | |
| 12 | 117.89 | 2704 | 1.05 | 41700 | 1 2 5 | | | | |
| 32 | 44.55 | 1071 | 3.76 | 53733 | C 0 9 2 1 4 5 . _ M _ _ _ 4 . 0 A - - | 215 | 112M | | |
| 29 | 49.49 | 1189 | 3.44 | 53716 | 5 0 . | | | | |
| 21 | 69.91 | 1655 | 2.57 | 53682 | 7 1 . | | | | |
| 19 | 77.18 | 1827 | 2.35 | 53653 | 8 0 . | | | | |
| 15 | 93.18 | 2089 | 2.25 | 53624 | 9 0 . | | | | |
| 14 | 103.53 | 2311 | 2.10 | 53594 | 1 0 0 | | | | |
| 14 | 106.17 | 2485 | 1.79 | 53618 | 1 1 2 | | | | |
| 12 | 119.38 | 2779 | 1.62 | 53573 | 1 2 5 | | | | |
| 10 | 146.23 | 3200 | 1.65 | 53528 | 1 4 0 | | | | |
| 8.9 | 161.44 | 3521 | 1.54 | 53482 | 1 6 0 | | | | |
| 6.5 | 222.08 | 4758 | 1.17 | 53338 | 2 1 2 | | | | |
| 5.7 | 249.73 | 5306 | 1.05 | 53272 | 2 5 0 | | | | |
| 9.0 | 159.68 | 3550 | 1.35 | 53383 | C 0 9 4 1 1 6 0 _ M _ _ _ 4 . 0 A - - | | | 243 | 112M |
| 8.1 | 177.41 | 3927 | 1.23 | 53383 | 1 8 0 | | | | |
| 6.4 | 224.51 | 4990 | 0.96 | 53383 | 2 1 2 | | | | |
| 5.8 | 249.43 | 5519 | 0.87 | 53383 | 2 5 0 | | | | |
| 16 | 91.32 | 2100 | 3.39 | 87400 | C 1 0 2 1 9 0 . _ M _ _ _ 4 . 0 A - - | 312 | 112M | | |
| 14 | 101.47 | 2322 | 3.12 | 87385 | 1 0 0 | | | | |
| 13 | 107.80 | 2551 | 3.39 | 87400 | 1 1 2 | | | | |
| 12 | 115.82 | 2733 | 2.92 | 87400 | 1 2 5 | | | | |
| 10 | 144.71 | 3260 | 2.38 | 87359 | 1 4 0 | | | | |
| 8.6 | 166.73 | 3732 | 2.13 | 87338 | 1 6 0 | | | | |
| 6.4 | 225.50 | 4974 | 1.68 | 87332 | 2 1 2 | | | | |
| 5.9 | 242.27 | 5324 | 1.59 | 87332 | 2 5 0 | | | | |

NOTE:
Other output speeds are available using 2 & 8 pole motors. Please contact our Application Engineers

SERIES C SELECTION TABLE GEARED MOTORS

4.0 kW
4 POLE

4.0 kW
6 POLE

| N2 RPM | i | M2 Nm | Fm | N | Unit Designation | kg | |
|--------------|--------|---------------|----------------|---------------|--|---------------------------|------------|
| Output Speed | Ratio | Output Torque | Service Factor | Overhung Load | Column Entry 1 - 20 Spaces to be filled when entering order | Weight of Base Mount unit | Motor Size |
| 8.9 | 160.55 | 3596 | 2.36 | 87299 | C 1 0 4 1 1 6 0 _ M _ _ _ 4 . 0 A - - | 361 | 112M |
| 8.0 | 178.41 | 3976 | 2.08 | 87375 | 1 8 0 | | |
| 6.5 | 222.38 | 4979 | 1.70 | 87299 | 2 1 2 | | |
| 5.8 | 247.12 | 5507 | 1.51 | 87375 | 2 5 0 | | |
| 5.2 | 274.67 | 6149 | 1.38 | 87299 | 2 8 0 | | |
| 4.7 | 305.22 | 6800 | 1.22 | 87375 | 3 1 5 | | |
| 4.0 | 358.77 | 8027 | 1.06 | 87299 | 3 6 0 | | |
| 3.5 | 407.90 | 9123 | 0.93 | 87299 | 4 0 0 | | |
| 3.2 | 453.27 | 10090 | 0.82 | 87375 | 4 5 0 | | |
| 117 | 8.23 | 293 | 1.5 | 11787 | C 0 6 2 1 8 . 0 _ M _ _ _ 4 . 0 C - - | 86 | 132M |
| 83 | 11.57 | 408 | 1.22 | 11716 | 1 1 . | | |
| 74 | 12.97 | 456 | 1.14 | 11646 | 1 2 . | | |
| 66 | 14.56 | 510 | 1.06 | 11575 | 1 4 . | | |
| 60 | 15.93 | 509 | 1.14 | 11646 | 1 6 . | | |
| 52 | 18.49 | 643 | 0.91 | 11504 | 1 8 . | | |
| 46 | 20.96 | 726 | 0.84 | 11433 | 2 0 . | | |
| 43 | 22.40 | 703 | 0.89 | 11504 | 2 2 . | | |
| 38 | 25.11 | 782 | 0.81 | 11433 | 2 5 . | | |
| 122 | 7.90 | 288 | 2.13 | 24231 | C 0 7 2 1 8 . 0 _ M _ _ _ 4 . 0 C - - | 130 | 132M |
| 88 | 10.94 | 398 | 2.13 | 26142 | 1 1 . | | |
| 78 | 12.29 | 446 | 2.01 | 26908 | 1 2 . | | |
| 71 | 13.52 | 489 | 1.89 | 27541 | 1 4 . | | |
| 61 | 15.80 | 550 | 1.45 | 28408 | 1 6 . | | |
| 54 | 17.66 | 635 | 1.61 | 28158 | 1 8 . | | |
| 48 | 20.07 | 716 | 1.48 | 28366 | 2 0 . | | |
| 44 | 21.89 | 754 | 1.14 | 29075 | 2 2 . | | |
| 39 | 24.59 | 843 | 1.04 | 29075 | 2 5 . | | |
| 36 | 27.03 | 923 | 0.97 | 29075 | 2 8 . | | |
| 87 | 11.01 | 405 | 3.83 | 33852 | C 0 8 2 1 1 1 . _ M _ _ _ 4 . 0 C - - | 173 | 132M |
| 78 | 12.24 | 447 | 3.60 | 34773 | 1 2 . | | |
| 71 | 13.61 | 494 | 3.38 | 35768 | 1 4 . | | |
| 62 | 15.54 | 549 | 2.95 | 37547 | 1 6 . | | |
| 55 | 17.60 | 636 | 2.88 | 38300 | 1 8 . | | |
| 49 | 19.76 | 714 | 2.67 | 39442 | 2 0 . | | |
| 44 | 22.03 | 771 | 2.31 | 40636 | 2 2 . | | |
| 39 | 24.47 | 853 | 2.13 | 40821 | 2 5 . | | |
| 35 | 27.22 | 944 | 1.97 | 41525 | 2 8 . | | |
| 30 | 31.78 | 1127 | 1.98 | 41358 | 3 2 . | | |
| 27 | 35.20 | 1205 | 1.62 | 41858 | 3 6 . | | |
| 24 | 39.51 | 1346 | 1.48 | 41816 | 4 0 . | | |
| 22 | 43.64 | 1539 | 1.60 | 41798 | 4 5 . | | |
| 19 | 49.26 | 1727 | 1.47 | 41696 | 5 0 . | | |
| 18 | 54.60 | 1834 | 1.14 | 41775 | 5 6 . | | |
| 15 | 63.56 | 2118 | 1.01 | 41712 | 6 3 . | | |
| 14 | 69.64 | 2412 | 1.15 | 41616 | 7 1 . | | |
| 13 | 76.50 | 2641 | 1.08 | 41616 | 8 0 . | | |
| 22 | 44.55 | 1585 | 2.67 | 53704 | C 0 9 2 1 4 5 . _ M _ _ _ 4 . 0 C - - | 236 | 132M |
| 19 | 49.49 | 1760 | 2.44 | 53673 | 5 0 . | | |
| 14 | 69.91 | 2453 | 1.81 | 53607 | 7 1 . | | |
| 12 | 77.18 | 2702 | 1.66 | 53559 | 8 0 . | | |
| 10 | 93.18 | 3064 | 1.71 | 53511 | 9 0 . | | |
| 9.3 | 103.53 | 3388 | 1.59 | 53462 | 1 0 0 | | |
| 9.0 | 106.17 | 3680 | 1.25 | 53457 | 1 1 2 | | |
| 8.0 | 119.38 | 4105 | 1.13 | 53389 | 1 2 5 | | |
| 6.6 | 146.23 | 4698 | 1.19 | 53321 | 1 4 0 | | |
| 5.9 | 161.44 | 5166 | 1.08 | 53252 | 1 6 0 | | |
| 4.3 | 222.08 | 6975 | 0.80 | 53000 | 2 1 2 | | |
| 6.0 | 159.68 | 5319 | 0.90 | 53383 | C 0 9 4 1 1 6 0 _ M _ _ _ 4 . 0 C - - | 264 | 132M |
| 5.4 | 177.41 | 5885 | 0.82 | 53383 | 1 8 0 | | |
| 14 | 69.18 | 2448 | 3.53 | 87362 | C 1 0 2 1 7 1 . _ M _ _ _ 4 . 0 C - - | 333 | 132M |
| 12 | 79.71 | 2819 | 3.10 | 87400 | 8 0 . | | |
| 11 | 91.32 | 3088 | 2.49 | 87373 | 9 0 . | | |
| 9.5 | 101.47 | 3416 | 2.30 | 87347 | 1 0 0 | | |
| 8.9 | 107.80 | 3762 | 2.31 | 87400 | 1 1 2 | | |
| 8.3 | 115.82 | 4030 | 1.96 | 87400 | 1 2 5 | | |
| 6.6 | 144.71 | 4801 | 1.74 | 87316 | 1 4 0 | | |
| 5.8 | 166.73 | 5496 | 1.55 | 87275 | 1 6 0 | | |
| 4.3 | 225.50 | 7312 | 1.21 | 87212 | 2 1 2 | | |
| 4.0 | 242.27 | 7822 | 1.13 | 87212 | 2 5 0 | | |
| 6.0 | 160.55 | 5388 | 1.57 | 87299 | C 1 0 4 1 1 6 0 _ M _ _ _ 4 . 0 C - - | 382 | 132M |
| 5.4 | 178.41 | 5960 | 1.39 | 87375 | 1 8 0 | | |
| 4.3 | 222.38 | 7459 | 1.14 | 87299 | 2 1 2 | | |
| 3.9 | 247.12 | 8252 | 1.00 | 87375 | 2 5 0 | | |
| 3.5 | 274.67 | 9208 | 0.92 | 87299 | 2 8 0 | | |
| 3.1 | 305.22 | 10187 | 0.81 | 87375 | 3 1 5 | | |

NOTE:
Other output speeds are available using 2 & 8 pole motors. Please contact our Application Engineers

SERIES C SELECTION TABLE GEARED MOTORS

5.5 kW
4 POLE

| N2 RPM | i | M2 Nm | Fm | N | Unit Designation | kg | |
|--------------|--------|---------------|----------------|---------------|--|---------------------------|------------|
| Output Speed | Ratio | Output Torque | Service Factor | Overhung Load | Column Entry 1 - 20 Spaces to be filled when entering order | Weight of Base Mount unit | Motor Size |
| 175 | 8.23 | 270 | 1.38 | 11786 | C 0 6 2 1 8 . 0 _ M _ - _ _ 5 . 5 A - | 82 | 132S |
| 124 | 11.57 | 377 | 1.13 | 11715 | 1 1 . | | |
| 111 | 12.97 | 422 | 1.06 | 11715 | 1 2 . | | |
| 99 | 14.56 | 472 | 0.99 | 11600 | 1 4 . | | |
| 90 | 15.93 | 474 | 1.09 | 11700 | 1 6 . | | |
| 78 | 18.49 | 596 | 0.85 | 11500 | 1 8 . | | |
| 64 | 22.40 | 658 | 0.88 | 11500 | 2 2 . | | |
| 57 | 25.11 | 732 | 0.81 | 11500 | 2 5 . | | |
| 182 | 7.90 | 265 | 2.33 | 22426 | C 0 7 2 1 8 . 0 _ M _ - _ _ 5 . 5 A - | 126 | 132S |
| 132 | 10.94 | 366 | 2.00 | 23887 | 1 1 . | | |
| 117 | 12.29 | 412 | 1.86 | 24437 | 1 2 . | | |
| 107 | 13.52 | 452 | 1.76 | 25025 | 1 4 . | | |
| 91 | 15.80 | 507 | 1.41 | 26337 | 1 6 . | | |
| 82 | 17.66 | 587 | 1.50 | 26550 | 1 8 . | | |
| 72 | 20.07 | 665 | 1.38 | 27269 | 2 0 . | | |
| 66 | 21.89 | 698 | 1.12 | 27954 | 2 2 . | | |
| 59 | 24.59 | 781 | 1.03 | 28141 | 2 5 . | | |
| 53 | 27.03 | 858 | 0.96 | 28452 | 2 8 . | | |
| 131 | 11.01 | 371 | 3.56 | 31175 | C 0 8 2 1 1 1 . _ M _ - _ _ 5 . 5 A - | 169 | 132S |
| 118 | 12.24 | 413 | 3.34 | 31897 | 1 2 . | | |
| 106 | 13.61 | 457 | 3.12 | 32868 | 1 4 . | | |
| 93 | 15.54 | 506 | 2.74 | 34371 | 1 6 . | | |
| 82 | 17.60 | 591 | 2.67 | 35010 | 1 8 . | | |
| 73 | 19.76 | 662 | 2.49 | 36130 | 2 0 . | | |
| 65 | 22.03 | 711 | 2.22 | 37210 | 2 2 . | | |
| 59 | 24.47 | 787 | 2.09 | 37782 | 2 5 . | | |
| 53 | 27.22 | 871 | 1.95 | 38325 | 2 8 . | | |
| 45 | 31.78 | 1048 | 1.86 | 38975 | 3 2 . | | |
| 41 | 35.20 | 1122 | 1.60 | 40250 | 3 6 . | | |
| 36 | 39.51 | 1251 | 1.47 | 40512 | 4 0 . | | |
| 33 | 43.64 | 1425 | 1.52 | 39389 | 4 5 . | | |
| 29 | 49.26 | 1599 | 1.41 | 41116 | 5 0 . | | |
| 26 | 54.60 | 1709 | 1.15 | 41837 | 5 6 . | | |
| 23 | 63.56 | 1973 | 1.02 | 41775 | 6 3 . | | |
| 21 | 69.64 | 2231 | 1.12 | 41686 | 7 1 . | | |
| 19 | 76.50 | 2448 | 1.05 | 41615 | 8 0 . | | |
| 32 | 44.55 | 1468 | 2.74 | 53698 | C 0 9 2 1 4 5 . _ M _ - _ _ 5 . 5 A - | 232 | 132S |
| 29 | 49.49 | 1629 | 2.51 | 53673 | 5 0 . | | |
| 21 | 69.91 | 2268 | 1.88 | 53622 | 7 1 . | | |
| 19 | 77.18 | 2504 | 1.72 | 53577 | 8 0 . | | |
| 15 | 93.18 | 2863 | 1.64 | 53533 | 9 0 . | | |
| 14 | 103.53 | 3167 | 1.53 | 53488 | 1 0 0 | | |
| 14 | 106.17 | 3405 | 1.30 | 53525 | 1 1 2 | | |
| 12 | 119.38 | 3808 | 1.18 | 53456 | 1 2 5 | | |
| 10 | 146.23 | 4385 | 1.21 | 53387 | 1 4 0 | | |
| 8.9 | 161.44 | 4825 | 1.12 | 53318 | 1 6 0 | | |
| 6.5 | 222.08 | 6519 | 0.86 | 53100 | 2 1 2 | | |
| 9.0 | 159.68 | 4865 | 0.98 | 53383 | C 0 9 4 1 1 6 0 _ M _ - _ _ 5 . 5 A - | 260 | 132S |
| 8.1 | 177.41 | 5381 | 0.90 | 53383 | 1 8 0 | | |
| 21 | 69.18 | 2272 | 3.34 | 85716 | C 1 0 2 1 7 1 . _ M _ - _ _ 5 . 5 A - | 329 | 132S |
| 18 | 79.71 | 2606 | 2.94 | 86407 | 8 0 . | | |
| 16 | 91.32 | 2878 | 2.47 | 87400 | 9 0 . | | |
| 14 | 101.47 | 3182 | 2.28 | 87374 | 1 0 0 | | |
| 13 | 107.80 | 3496 | 2.47 | 87400 | 1 1 2 | | |
| 12 | 115.82 | 3745 | 2.13 | 87400 | 1 2 5 | | |
| 10 | 144.71 | 4467 | 1.74 | 87325 | 1 4 0 | | |
| 8.6 | 166.73 | 5114 | 1.56 | 87287 | 1 6 0 | | |
| 6.4 | 225.50 | 6816 | 1.23 | 87275 | 2 1 2 | | |
| 5.9 | 242.27 | 7295 | 1.16 | 87275 | 2 5 0 | | |
| 9.0 | 160.55 | 4927 | 1.72 | 87299 | C 1 0 4 1 1 6 0 _ M _ - _ _ 5 . 5 A - | 378 | 132S |
| 8.1 | 178.41 | 5449 | 1.52 | 87375 | 1 8 0 | | |
| 6.5 | 222.38 | 6823 | 1.24 | 87299 | 2 1 2 | | |
| 5.8 | 247.12 | 7545 | 1.10 | 87375 | 2 5 0 | | |
| 5.2 | 274.67 | 8425 | 1.01 | 87299 | 2 8 0 | | |
| 4.7 | 305.22 | 9318 | 0.89 | 87375 | 3 1 5 | | |

NOTE:
Other output speeds are available using 2 & 8 pole motors. Please contact our Application Engineers

SERIES C SELECTION TABLE GEARED MOTORS

5.5 kW

6 POLE

7.5 kW

4 POLE

NOTE:

Other output speeds are available using 2 & 8 pole motors. Please contact our Application Engineers

| N2 RPM | i | M2 Nm | Fm | N | Unit Designation | kg | |
|--------------|--------|---------------|----------------|---------------|--|---------------------------|------------|
| Output Speed | Ratio | Output Torque | Service Factor | Overhung Load | Column Entry 1 - 20 Spaces to be filled when entering order | Weight of Base Mount unit | Motor Size |
| 117 | 8.23 | 403 | 1.09 | 11700 | C 0 6 2 1 8 . 0 _ M _ _ _ 5 . 5 C - - | 86 | 132M |
| 83 | 11.57 | 561 | 0.89 | 11600 | 1 1 . | | |
| 74 | 12.97 | 627 | 0.83 | 11500 | 1 2 . | | |
| 60 | 15.93 | 700 | 0.83 | 11500 | 1 6 . | | |
| 122 | 7.90 | 396 | 1.55 | 23710 | C 0 7 2 1 8 . 0 _ M _ _ _ 5 . 5 C - - | 130 | 132M |
| 88 | 10.94 | 547 | 1.55 | 25447 | 1 1 . | | |
| 78 | 12.29 | 613 | 1.46 | 26133 | 1 2 . | | |
| 71 | 13.52 | 673 | 1.38 | 26666 | 1 4 . | | |
| 61 | 15.80 | 756 | 1.05 | 27933 | 1 6 . | | |
| 54 | 17.66 | 873 | 1.17 | 27533 | 1 8 . | | |
| 48 | 20.07 | 984 | 1.08 | 27866 | 2 0 . | | |
| 44 | 21.89 | 1037 | 0.83 | 29000 | 2 2 . | | |
| 124 | 7.77 | 391 | 3.16 | 30947 | C 0 8 2 1 8 . 0 _ M _ _ _ 5 . 5 C - - | 173 | 132M |
| 87 | 11.01 | 557 | 2.78 | 33284 | 1 1 . | | |
| 78 | 12.24 | 614 | 2.62 | 34157 | 1 2 . | | |
| 71 | 13.61 | 680 | 2.45 | 35089 | 1 4 . | | |
| 62 | 15.54 | 755 | 2.15 | 36915 | 1 6 . | | |
| 55 | 17.60 | 875 | 2.09 | 37400 | 1 8 . | | |
| 49 | 19.76 | 981 | 1.95 | 38447 | 2 0 . | | |
| 44 | 22.03 | 1060 | 1.68 | 39878 | 2 2 . | | |
| 39 | 24.47 | 1173 | 1.55 | 40173 | 2 5 . | | |
| 35 | 27.22 | 1298 | 1.43 | 41300 | 2 8 . | | |
| 30 | 31.78 | 1550 | 1.44 | 41033 | 3 2 . | | |
| 27 | 35.20 | 1657 | 1.18 | 41833 | 3 6 . | | |
| 24 | 39.51 | 1851 | 1.07 | 41766 | 4 0 . | | |
| 22 | 43.64 | 2117 | 1.16 | 41756 | 4 5 . | | |
| 19 | 49.26 | 2375 | 1.07 | 41612 | 5 0 . | | |
| 18 | 54.60 | 2521 | 0.83 | 41700 | 5 6 . | | |
| 14 | 69.64 | 3316 | 0.84 | 41500 | 7 1 . | | |
| 22 | 44.55 | 2179 | 1.95 | 53660 | C 0 9 2 1 4 5 . _ M _ _ _ 5 . 5 C - - | 236 | 132M |
| 19 | 49.49 | 2420 | 1.77 | 53614 | 5 0 . | | |
| 14 | 69.91 | 3372 | 1.32 | 53518 | 7 1 . | | |
| 12 | 77.18 | 3716 | 1.21 | 53448 | 8 0 . | | |
| 10 | 93.18 | 4213 | 1.24 | 53377 | 9 0 . | | |
| 9.3 | 103.53 | 4659 | 1.15 | 53307 | 1 0 0 . | | |
| 9.0 | 106.17 | 5060 | 0.91 | 53300 | 1 1 2 . | | |
| 8.0 | 119.38 | 5645 | 0.82 | 53200 | 1 2 5 . | | |
| 6.6 | 146.23 | 6461 | 0.86 | 53100 | 1 4 0 . | | |
| 22 | 43.65 | 2160 | 3.76 | 85776 | C 1 0 2 1 4 5 . _ M _ _ _ 5 . 5 C - - | 333 | 132M |
| 20 | 48.51 | 2395 | 3.47 | 86058 | 5 0 . | | |
| 14 | 69.18 | 3366 | 2.56 | 87340 | 7 1 . | | |
| 12 | 79.71 | 3876 | 2.25 | 87400 | 8 0 . | | |
| 11 | 91.32 | 4246 | 1.81 | 87357 | 9 0 . | | |
| 9.5 | 101.47 | 4697 | 1.67 | 87315 | 1 0 0 . | | |
| 8.9 | 107.80 | 5172 | 1.68 | 87400 | 1 1 2 . | | |
| 8.3 | 115.82 | 5542 | 1.43 | 87400 | 1 2 5 . | | |
| 6.6 | 144.71 | 6601 | 1.26 | 87266 | 1 4 0 . | | |
| 5.8 | 166.73 | 7558 | 1.13 | 87200 | 1 6 0 . | | |
| 4.3 | 225.50 | 10054 | 0.88 | 87100 | 2 1 2 . | | |
| 4.0 | 242.27 | 10756 | 0.82 | 87100 | 2 5 0 . | | |
| 6.0 | 160.55 | 7408 | 1.14 | 87299 | C 1 0 4 1 1 6 0 _ M _ _ _ 5 . 5 C - - | 382 | 132M |
| 5.4 | 178.41 | 8196 | 1.01 | 87375 | 1 8 0 . | | |
| 4.3 | 222.38 | 10256 | 0.83 | 87299 | 2 1 2 . | | |
| 176 | 8.23 | 367 | 1.01 | 11700 | C 0 6 2 1 8 . 0 _ M _ _ _ 7 . 5 A - - | 86 | 132M |
| 125 | 11.57 | 513 | 0.83 | 11600 | 1 1 . | | |
| 183 | 7.90 | 360 | 1.71 | 21957 | C 0 7 2 1 8 . 0 _ M _ _ _ 7 . 5 A - - | 130 | 132M |
| 132 | 10.94 | 497 | 1.47 | 23273 | 1 1 . | | |
| 118 | 12.29 | 561 | 1.37 | 23732 | 1 2 . | | |
| 107 | 13.52 | 614 | 1.30 | 24252 | 1 4 . | | |
| 91 | 15.80 | 689 | 1.04 | 25632 | 1 6 . | | |
| 82 | 17.66 | 797 | 1.10 | 25550 | 1 8 . | | |
| 72 | 20.07 | 904 | 1.02 | 26100 | 2 0 . | | |
| 66 | 21.89 | 949 | 0.82 | 27200 | 2 2 . | | |
| 186 | 7.77 | 355 | 3.20 | 28647 | C 0 8 2 1 8 . 0 _ M _ _ _ 7 . 5 A - - | 173 | 132M |
| 131 | 11.01 | 504 | 2.62 | 30675 | 1 1 . | | |
| 118 | 12.24 | 561 | 2.46 | 31350 | 1 2 . | | |
| 106 | 13.61 | 622 | 2.30 | 32243 | 1 4 . | | |
| 93 | 15.54 | 688 | 2.02 | 33809 | 1 6 . | | |
| 82 | 17.60 | 803 | 1.97 | 34229 | 1 8 . | | |
| 73 | 19.76 | 899 | 1.83 | 35239 | 2 0 . | | |
| 66 | 22.03 | 966 | 1.63 | 36429 | 2 2 . | | |
| 59 | 24.47 | 1070 | 1.54 | 36922 | 2 5 . | | |
| 53 | 27.22 | 1184 | 1.44 | 37370 | 2 8 . | | |
| 45 | 31.78 | 1424 | 1.37 | 37565 | 3 2 . | | |
| 41 | 35.20 | 1525 | 1.18 | 39250 | 3 6 . | | |
| 37 | 39.51 | 1701 | 1.08 | 39671 | 4 0 . | | |
| 33 | 43.64 | 1937 | 1.12 | 38375 | 4 5 . | | |
| 29 | 49.26 | 2173 | 1.04 | 40800 | 5 0 . | | |
| 26 | 54.60 | 2322 | 0.84 | 41800 | 5 6 . | | |
| 21 | 69.64 | 3032 | 0.82 | 41600 | 7 1 . | | |

SERIES C SELECTION TABLE GEARED MOTORS

7.5 kW

4 POLE

| N2 RPM | i | M2 Nm | Fm | N | Unit Designation | kg | |
|--------------|--------|---------------|----------------|---------------|--|---------------------------|------------|
| Output Speed | Ratio | Output Torque | Service Factor | Overhung Load | Column Entry 1 - 20 Spaces to be filled when entering order | Weight of Base Mount unit | Motor Size |
| 32 | 44.55 | 1995 | 2.02 | 53652 | C 0 9 2 1 4 5 . _ M _ - _ _ 7 . 5 A - - | 236 | 132M |
| 29 | 49.49 | 2214 | 1.85 | 53616 | 5 0 . | | |
| 21 | 69.91 | 3082 | 1.38 | 53541 | 7 1 . | | |
| 19 | 77.18 | 3402 | 1.26 | 53476 | 8 0 . | | |
| 16 | 93.18 | 3891 | 1.21 | 53412 | 9 0 . | | |
| 14 | 103.53 | 4304 | 1.13 | 53347 | C 0 9 2 1 1 0 0 _ M _ - _ _ 7 . 5 A - - | 236 | 132M |
| 14 | 106.17 | 4628 | 0.96 | 53400 | 1 1 2 | | |
| 12 | 119.38 | 5174 | 0.87 | 53300 | 1 2 5 | | |
| 10 | 146.23 | 5959 | 0.89 | 53200 | 1 4 0 | | |
| 9.0 | 161.44 | 6557 | 0.83 | 53100 | 1 6 0 | | |
| 33 | 43.65 | 1975 | 3.61 | 82939 | C 1 0 2 1 4 5 . _ M _ - _ _ 7 . 5 A - - | 333 | 132M |
| 30 | 48.51 | 2188 | 3.32 | 83701 | 5 0 . | | |
| 21 | 69.18 | 3087 | 2.46 | 84696 | 7 1 . | | |
| 18 | 79.71 | 3541 | 2.17 | 85806 | 8 0 . | | |
| 16 | 91.32 | 3911 | 1.82 | 87400 | 9 0 . | | |
| 14 | 101.47 | 4324 | 1.67 | 87358 | 1 0 0 | | |
| 13 | 107.80 | 4751 | 1.82 | 87400 | 1 1 2 | | |
| 12 | 115.82 | 5089 | 1.57 | 87400 | 1 2 5 | | |
| 10 | 144.71 | 6070 | 1.28 | 87279 | 1 4 0 | | |
| 8.7 | 166.73 | 6949 | 1.15 | 87219 | 1 6 0 | | |
| 6.4 | 225.50 | 9263 | 0.90 | 87200 | 2 1 2 | | |
| 6.0 | 242.27 | 9913 | 0.85 | 87200 | 2 5 0 | | |
| 9.0 | 160.55 | 6696 | 1.27 | 87299 | C 1 0 4 1 1 6 0 _ M _ - _ _ 7 . 5 A - | -382 | 132M |
| 8.1 | 178.41 | 7404 | 1.12 | 87375 | 1 8 0 | | |
| 6.5 | 222.38 | 9272 | 0.91 | 87299 | 2 1 2 | | |
| 5.8 | 247.12 | 10254 | 0.81 | 87375 | 2 5 0 | | |

7.5 kW

6 POLE

| | | | | | | | |
|-----|--------|------|------|-------|---|-----|------|
| 122 | 7.90 | 540 | 1.14 | 23015 | C 0 7 2 1 8 . 0 _ M _ - _ _ 7 . 5 C - - | 159 | 160M |
| 88 | 10.94 | 746 | 1.14 | 24521 | 1 1 . | | |
| 78 | 12.29 | 836 | 1.07 | 25100 | 1 2 . | | |
| 71 | 13.52 | 918 | 1.01 | 25500 | 1 4 . | | |
| 54 | 17.66 | 1191 | 0.86 | 26700 | 1 8 . | | |
| 124 | 7.77 | 534 | 2.32 | 30421 | C 0 8 2 1 8 . 0 _ M _ - _ _ 7 . 5 C - - | 202 | 160M |
| 87 | 11.01 | 759 | 2.04 | 32526 | 1 1 . | | |
| 78 | 12.24 | 838 | 1.92 | 33336 | 1 2 . | | |
| 71 | 13.61 | 927 | 1.80 | 34184 | 1 4 . | | |
| 62 | 15.54 | 1029 | 1.57 | 36073 | 1 6 . | | |
| 55 | 17.60 | 1193 | 1.53 | 36200 | 1 8 . | | |
| 49 | 19.76 | 1338 | 1.43 | 37121 | 2 0 . | | |
| 44 | 22.03 | 1446 | 1.23 | 38868 | 2 2 . | | |
| 39 | 24.47 | 1600 | 1.14 | 39310 | 2 5 . | | |
| 35 | 27.22 | 1770 | 1.05 | 41000 | 2 8 . | | |
| 30 | 31.78 | 2114 | 1.05 | 40600 | 3 2 . | | |
| 27 | 35.20 | 2260 | 0.86 | 41800 | 3 6 . | | |
| 22 | 43.64 | 2887 | 0.85 | 41700 | 4 5 . | | |
| 87 | 10.98 | 760 | 3.73 | 51500 | C 0 9 2 1 1 1 . _ M _ - _ _ 7 . 5 C - - | 265 | 160M |
| 78 | 12.30 | 850 | 3.49 | 52800 | 1 2 . | | |
| 70 | 13.81 | 952 | 3.25 | 53800 | 1 4 . | | |
| 58 | 16.68 | 1108 | 2.73 | 53800 | 1 6 . | | |
| 54 | 17.79 | 1220 | 2.79 | 53800 | 1 8 . | | |
| 48 | 19.88 | 1357 | 2.60 | 53800 | 2 0 . | | |
| 42 | 22.96 | 1513 | 2.25 | 53800 | 2 2 . | | |
| 37 | 25.73 | 1685 | 2.11 | 53800 | 2 5 . | | |
| 33 | 28.89 | 1887 | 1.96 | 53800 | 2 8 . | | |
| 31 | 31.43 | 2119 | 1.92 | 53800 | 3 2 . | | |
| 26 | 37.22 | 2398 | 1.68 | 53800 | 3 6 . | | |
| 23 | 41.59 | 2679 | 1.56 | 53700 | 4 0 . | | |
| 22 | 44.55 | 2971 | 1.43 | 53602 | 4 5 . | | |
| 19 | 49.49 | 3300 | 1.30 | 53536 | 5 0 . | | |
| 17 | 57.66 | 3647 | 1.27 | 53600 | 5 6 . | | |
| 15 | 65.74 | 4129 | 1.16 | 53500 | 6 3 . | | |
| 14 | 69.91 | 4599 | 0.97 | 53400 | 7 1 . | | |
| 12 | 77.18 | 5067 | 0.88 | 53300 | 8 0 . | | |
| 10 | 93.18 | 5745 | 0.91 | 53200 | 9 0 . | | |
| 9.3 | 103.53 | 6354 | 0.85 | 53100 | 1 0 0 | | |
| 41 | 23.23 | 1554 | 3.84 | 79500 | C 1 0 2 1 2 2 . _ M _ - _ _ 7 . 5 C - - | 362 | 160M |
| 38 | 25.27 | 1682 | 3.61 | 81400 | 2 5 . | | |
| 33 | 28.70 | 1902 | 3.28 | 84200 | 2 8 . | | |
| 30 | 31.85 | 2167 | 3.40 | 85000 | 3 2 . | | |
| 26 | 37.38 | 2463 | 2.67 | 87400 | 3 6 . | | |
| 24 | 40.36 | 2642 | 2.52 | 87400 | 4 0 . | | |
| 22 | 43.65 | 2945 | 2.76 | 84964 | 4 5 . | | |
| 20 | 48.51 | 3267 | 2.55 | 85388 | 5 0 . | | |
| 16 | 58.85 | 3798 | 1.87 | 87400 | 5 6 . | | |
| 14 | 66.62 | 4303 | 1.68 | 87400 | 6 3 . | | |
| 14 | 69.18 | 4590 | 1.88 | 87311 | 7 1 . | | |
| 12 | 79.71 | 5286 | 1.65 | 87400 | 8 0 . | | |
| 11 | 91.32 | 5790 | 1.33 | 87336 | 9 0 . | | |

NOTE:

Other output speeds are available using 2 & 8 pole motors. Please contact our Application Engineers

SERIES C SELECTION TABLE GEARED MOTORS

7.5 kW
6 POLE

11.0 kW
4 POLE

| N2 RPM | i | M2 Nm | Fm | N | Unit Designation | kg | | | |
|--------------|--------|---------------|----------------|---------------|--|---------------------------|------------|-----|------|
| Output Speed | Ratio | Output Torque | Service Factor | Overhung Load | Column Entry 1 - 20 Spaces to be filled when entering order | Weight of Base Mount unit | Motor Size | | |
| 9.5 | 101.47 | 6405 | 1.22 | 87273 | C 1 0 2 1 1 0 0 _ M _ - _ - _ 7 . 5 C - - | 362 | 160M | | |
| 8.9 | 107.80 | 7054 | 1.23 | 87400 | 1 1 2 | | | | |
| 8.3 | 115.82 | 7557 | 1.05 | 87400 | 1 2 5 | | | | |
| 6.6 | 144.71 | 9002 | 0.93 | 87200 | 1 4 0 | | | | |
| 5.8 | 166.73 | 10306 | 0.83 | 87100 | 1 6 0 | | | | |
| 6.0 | 160.55 | 10103 | 0.84 | 87299 | C 1 0 4 1 1 6 0 _ M _ - _ - _ 7 . 5 C - - | 411 | 160M | | |
| 184 | 7.90 | 526 | 1.17 | 21137 | C 0 7 2 1 8 . 0 _ M _ - _ - _ 1 1 . A - - | 159 | 160M | | |
| 132 | 10.94 | 727 | 1.01 | 22200 | 1 1 . | | | | |
| 118 | 12.29 | 820 | 0.94 | 22500 | 1 2 . | | | | |
| 107 | 13.52 | 898 | 0.89 | 22900 | 1 4 . | | | | |
| 187 | 7.77 | 520 | 2.19 | 28018 | C 0 8 2 1 8 . 0 _ M _ - _ - _ 1 1 . A - - | | | 202 | 160M |
| 132 | 11.01 | 737 | 1.79 | 29800 | 1 1 . | | | | |
| 119 | 12.24 | 820 | 1.68 | 30393 | 1 2 . | | | | |
| 107 | 13.61 | 909 | 1.57 | 31150 | 1 4 . | | | | |
| 93 | 15.54 | 1005 | 1.38 | 32825 | 1 6 . | | | | |
| 82 | 17.60 | 1174 | 1.35 | 32862 | 1 8 . | | | | |
| 73 | 19.76 | 1315 | 1.25 | 33681 | 2 0 . | | | | |
| 66 | 22.03 | 1413 | 1.12 | 35062 | 2 2 . | | | | |
| 59 | 24.47 | 1564 | 1.05 | 35418 | 2 5 . | | | | |
| 53 | 27.22 | 1731 | 0.98 | 35700 | 2 8 . | | | | |
| 46 | 31.78 | 2082 | 0.94 | 35100 | 3 2 . | | | | |
| 41 | 35.20 | 2229 | 0.81 | 37500 | 3 6 . | | | | |
| 182 | 7.97 | 539 | 3.93 | 44500 | C 0 9 2 1 8 . 0 _ M _ - _ - _ 1 1 . A - - | 265 | 160M | | |
| 132 | 10.98 | 741 | 3.26 | 47600 | 1 1 . | | | | |
| 118 | 12.30 | 831 | 3.05 | 48700 | 1 2 . | | | | |
| 105 | 13.81 | 928 | 2.85 | 50100 | 1 4 . | | | | |
| 87 | 16.68 | 1075 | 2.40 | 53100 | 1 6 . | | | | |
| 81 | 17.79 | 1194 | 2.45 | 53300 | 1 8 . | | | | |
| 73 | 19.88 | 1326 | 2.29 | 53800 | 2 0 . | | | | |
| 63 | 22.96 | 1473 | 1.98 | 53800 | 2 2 . | | | | |
| 56 | 25.73 | 1652 | 1.85 | 53800 | 2 5 . | | | | |
| 50 | 28.89 | 1841 | 1.73 | 53800 | 2 8 . | | | | |
| 46 | 31.43 | 2078 | 1.73 | 53800 | 3 2 . | | | | |
| 39 | 37.22 | 2355 | 1.48 | 53800 | 3 6 . | | | | |
| 35 | 41.59 | 2634 | 1.38 | 53700 | 4 0 . | | | | |
| 33 | 44.55 | 2916 | 1.38 | 53572 | 4 5 . | | | | |
| 29 | 49.49 | 3236 | 1.26 | 53515 | 5 0 . | | | | |
| 25 | 57.66 | 3601 | 1.13 | 53600 | 5 6 . | | | | |
| 22 | 65.74 | 4091 | 1.04 | 53500 | 6 3 . | | | | |
| 21 | 69.91 | 4505 | 0.95 | 53400 | 7 1 . | | | | |
| 19 | 77.18 | 4973 | 0.86 | 53300 | 8 0 . | | | | |
| 16 | 93.18 | 5687 | 0.83 | 53200 | 9 0 . | | | | |
| 62 | 23.23 | 1520 | 3.55 | 73000 | C 1 0 2 1 2 2 . _ M _ - _ - _ 1 1 . A - - | 362 | 160M | | |
| 57 | 25.27 | 1651 | 3.35 | 74000 | 2 5 . | | | | |
| 51 | 28.70 | 1869 | 3.05 | 75400 | 2 8 . | | | | |
| 46 | 31.85 | 2126 | 3.01 | 75100 | 3 2 . | | | | |
| 39 | 37.38 | 2424 | 2.50 | 79400 | 3 6 . | | | | |
| 36 | 40.36 | 2601 | 2.36 | 81000 | 4 0 . | | | | |
| 33 | 43.65 | 2887 | 2.47 | 80522 | 4 5 . | | | | |
| 30 | 48.51 | 3198 | 2.27 | 81258 | 5 0 . | | | | |
| 25 | 58.85 | 3753 | 1.76 | 87400 | 5 6 . | | | | |
| 22 | 66.62 | 4231 | 1.60 | 87400 | 6 3 . | | | | |
| 21 | 69.18 | 4512 | 1.68 | 82911 | 7 1 . | | | | |
| 18 | 79.71 | 5176 | 1.48 | 84754 | 8 0 . | | | | |
| 16 | 91.32 | 5716 | 1.25 | 87400 | 9 0 . | | | | |
| 14 | 101.47 | 6320 | 1.15 | 87331 | 1 0 0 | | | | |
| 13 | 107.80 | 6945 | 1.25 | 87400 | 1 1 2 | | | | |
| 13 | 115.82 | 7438 | 1.07 | 87400 | 1 2 5 | | | | |
| 10 | 144.71 | 8873 | 0.87 | 87200 | 1 4 0 | | | | |
| 9.0 | 160.55 | 9787 | 0.87 | 87299 | C 1 0 4 1 1 6 0 _ M _ - _ - _ 1 1 . A - - | 411 | 160M | | |

NOTE:
Other output speeds are available using 2 & 8 pole motors. Please contact our Application Engineers

SERIES C

SELECTION TABLE

GEARED MOTORS

11.0 kW

6 POLE

15.0 kW

4 POLE

NOTE:

Other output speeds are available using 2 & 8 pole motors. Please contact our Application Engineers

| N2 RPM | i | M2 Nm | Fm | N | Unit Designation | kg | |
|--------------|--------|---------------|----------------|---------------|--|---------------------------|------------|
| Output Speed | Ratio | Output Torque | Service Factor | Overhung Load | Column Entry 1 - 20 Spaces to be filled when entering order | Weight of Base Mount unit | Motor Size |
| 124 | 7.77 | 779 | 1.59 | 29500 | C 0 8 2 1 8 . 0 _ M _ - _ _ 1 1 . C - | 216 | 160L |
| 88 | 11.01 | 1108 | 1.40 | 31200 | 1 1 . | | |
| 79 | 12.24 | 1223 | 1.32 | 31900 | 1 2 . | | |
| 71 | 13.61 | 1353 | 1.23 | 32600 | C 0 8 2 1 1 4 . _ M _ - _ _ 1 1 . C - | 216 | 160L |
| 62 | 15.54 | 1502 | 1.08 | 34600 | 1 6 . | | |
| 55 | 17.60 | 1741 | 1.05 | 34100 | 1 8 . | | |
| 49 | 19.76 | 1953 | 0.98 | 34800 | 2 0 . | | |
| 44 | 22.03 | 2110 | 0.84 | 37100 | 2 2 . | | |
| 121 | 7.97 | 807 | 3.11 | 47360 | C 0 9 2 1 8 . 0 _ M _ - _ _ 1 1 . C - | 279 | 160L |
| 88 | 10.98 | 1109 | 2.56 | 50348 | 1 1 . | | |
| 78 | 12.30 | 1240 | 2.39 | 51508 | 1 2 . | | |
| 70 | 13.81 | 1390 | 2.23 | 52446 | 1 4 . | | |
| 58 | 16.68 | 1617 | 1.87 | 53510 | 1 6 . | | |
| 54 | 17.79 | 1780 | 1.91 | 52931 | 1 8 . | | |
| 49 | 19.88 | 1980 | 1.78 | 53124 | 2 0 . | | |
| 42 | 22.96 | 2208 | 1.54 | 53703 | 2 2 . | | |
| 37 | 25.73 | 2458 | 1.44 | 53704 | 2 5 . | | |
| 33 | 28.89 | 2754 | 1.34 | 53672 | 2 8 . | | |
| 31 | 31.43 | 3092 | 1.32 | 53640 | 3 2 . | | |
| 26 | 37.22 | 3500 | 1.15 | 53613 | 3 6 . | | |
| 23 | 41.59 | 3909 | 1.07 | 53513 | 4 0 . | | |
| 22 | 44.55 | 4336 | 0.98 | 53500 | 4 5 . | | |
| 19 | 49.49 | 4814 | 0.89 | 53400 | 5 0 . | | |
| 17 | 57.66 | 5321 | 0.87 | 53300 | 5 6 . | | |
| 70 | 13.72 | 1391 | 3.94 | 67833 | C 1 0 2 1 1 4 . _ M _ - _ _ 1 1 . C - | 376 | 160L |
| 58 | 16.63 | 1635 | 3.38 | 71873 | 1 6 . | | |
| 54 | 17.87 | 1802 | 3.34 | 72391 | 1 8 . | | |
| 50 | 19.29 | 1944 | 3.19 | 74166 | 2 0 . | | |
| 42 | 23.23 | 2268 | 2.63 | 78084 | 2 2 . | | |
| 38 | 25.27 | 2455 | 2.48 | 79860 | 2 5 . | | |
| 34 | 28.70 | 2775 | 2.25 | 82457 | 2 8 . | | |
| 30 | 31.85 | 3162 | 2.33 | 82340 | 3 2 . | | |
| 26 | 37.38 | 3594 | 1.83 | 85855 | 3 6 . | | |
| 24 | 40.36 | 3856 | 1.73 | 86144 | 4 0 . | | |
| 22 | 43.65 | 4297 | 1.89 | 83544 | 4 5 . | | |
| 20 | 48.51 | 4766 | 1.75 | 84214 | 5 0 . | | |
| 16 | 58.85 | 5541 | 1.28 | 87336 | 5 6 . | | |
| 14 | 66.62 | 6279 | 1.15 | 87353 | 6 3 . | | |
| 14 | 69.18 | 6697 | 1.29 | 87259 | 7 1 . | | |
| 12 | 79.71 | 7713 | 1.13 | 87400 | 8 0 . | | |
| 11 | 91.32 | 8448 | 0.91 | 87300 | 9 0 . | | |
| 10 | 101.47 | 9345 | 0.84 | 87200 | 1 0 0 | | |
| 184 | 7.90 | 716 | 0.86 | 20200 | C 0 7 2 1 8 . 0 _ M _ - _ _ 1 5 . A - - | 173 | 160L |
| 187 | 7.77 | 707 | 1.61 | 27300 | C 0 8 2 1 8 . 0 _ M _ - _ _ 1 5 . A - - | 216 | 160L |
| 132 | 11.01 | 1001 | 1.32 | 28800 | 1 1 . | | |
| 119 | 12.24 | 1115 | 1.24 | 29300 | 1 2 . | | |
| 107 | 13.61 | 1235 | 1.16 | 29900 | 1 4 . | | |
| 94 | 15.54 | 1366 | 1.02 | 31700 | 1 6 . | | |
| 83 | 17.60 | 1595 | 0.99 | 31300 | 1 8 . | | |
| 74 | 19.76 | 1787 | 0.92 | 31900 | 2 0 . | | |
| 66 | 22.03 | 1920 | 0.82 | 33500 | 2 2 . | | |
| 182 | 7.97 | 733 | 2.89 | 43852 | C 0 9 2 1 8 . 0 _ M _ - _ _ 1 5 . A - - | 279 | 160L |
| 133 | 10.98 | 1007 | 2.4 | 46717 | 1 1 . | | |
| 118 | 12.30 | 1130 | 2.25 | 47715 | 1 2 . | | |
| 105 | 13.81 | 1261 | 2.1 | 49007 | 1 4 . | | |
| 87 | 16.68 | 1460 | 1.77 | 52131 | 1 6 . | | |
| 82 | 17.79 | 1622 | 1.8 | 51889 | 1 8 . | | |
| 73 | 19.88 | 1803 | 1.69 | 52636 | 2 0 . | | |
| 63 | 22.96 | 2002 | 1.46 | 53727 | 2 2 . | | |
| 57 | 25.73 | 2245 | 1.36 | 53727 | 2 5 . | | |
| 50 | 28.89 | 2501 | 1.27 | 53727 | 2 8 . | | |
| 46 | 31.43 | 2824 | 1.27 | 53586 | 3 2 . | | |
| 39 | 37.22 | 3200 | 1.09 | 53640 | 3 6 . | | |
| 35 | 41.59 | 3579 | 1.02 | 53540 | 4 0 . | | |
| 33 | 44.55 | 3963 | 1.02 | 53480 | 4 5 . | | |
| 29 | 49.49 | 4398 | 0.93 | 53400 | 5 0 . | | |
| 25 | 57.66 | 4894 | 0.83 | 53400 | 5 6 . | | |
| 120 | 12.08 | 1116 | 3.99 | 60823 | C 1 0 2 1 1 2 . _ M _ - _ _ 1 5 . A - - | 376 | 160L |
| 106 | 13.72 | 1265 | 3.7 | 62817 | 1 4 . | | |
| 87 | 16.63 | 1482 | 3.19 | 66523 | 1 6 . | | |
| 81 | 17.87 | 1640 | 3.16 | 67047 | 1 8 . | | |
| 75 | 19.29 | 1766 | 3.02 | 68664 | 2 0 . | | |
| 63 | 23.23 | 2065 | 2.61 | 71917 | 2 2 . | | |
| 58 | 25.27 | 2244 | 2.47 | 72823 | 2 5 . | | |
| 51 | 28.70 | 2540 | 2.25 | 74061 | 2 8 . | | |
| 46 | 31.85 | 2890 | 2.21 | 73069 | 3 2 . | | |

SERIES C SELECTION TABLE GEARED MOTORS

15.0 kW

4 POLE

15.0 kW

6 POLE

18.5 kW

4 POLE

| N2 RPM | i | M2 Nm | Fm | N | Unit Designation | kg | | | |
|--------------|--------|---------------|----------------|---------------|--|---------------------------|------------|-----|------|
| Output Speed | Ratio | Output Torque | Service Factor | Overhung Load | Column Entry 1 - 20 Spaces to be filled when entering order | Weight of Base Mount unit | Motor Size | | |
| 39 | 37.38 | 3294 | 1.84 | 77673 | C 1 0 2 1 3 6 . _ M _ _ _ 1 5 . A - - | 376 | 160L | | |
| 36 | 40.36 | 3535 | 1.74 | 79147 | 4 0 . | | | | |
| 33 | 43.65 | 3923 | 1.82 | 77759 | 4 5 . | | | | |
| 30 | 48.51 | 4347 | 1.67 | 78467 | 5 0 . | | | | |
| 25 | 58.85 | 5100 | 1.30 | 85327 | 5 6 . | | | | |
| 22 | 66.62 | 5750 | 1.18 | 85945 | 6 3 . | | | | |
| 21 | 69.18 | 6132 | 1.24 | 80870 | 7 1 . | | | | |
| 18 | 79.71 | 7034 | 1.09 | 83552 | 8 0 . | | | | |
| 16 | 91.32 | 7768 | 0.92 | 87400 | 9 0 . | | | | |
| 14 | 101.47 | 8589 | 0.84 | 87300 | 1 0 0 | | | | |
| 122 | 7.97 | 1095 | 2.29 | 46400 | C 0 9 2 1 8 . 0 _ M _ _ _ 1 5 . C - - | | | 365 | 180L |
| 88 | 10.98 | 1505 | 1.89 | 49033 | 1 1 . | | | | |
| 79 | 12.30 | 1682 | 1.76 | 50033 | 1 2 . | | | | |
| 70 | 13.81 | 1886 | 1.64 | 50900 | 1 4 . | | | | |
| 58 | 16.68 | 2194 | 1.38 | 53179 | 1 6 . | | | | |
| 55 | 17.79 | 2415 | 1.41 | 51937 | 1 8 . | | | | |
| 49 | 19.88 | 2687 | 1.31 | 52351 | 2 0 . | | | | |
| 42 | 22.96 | 2995 | 1.14 | 53593 | 2 2 . | | | | |
| 38 | 25.73 | 3335 | 1.06 | 53595 | 2 5 . | | | | |
| 34 | 28.89 | 3736 | 0.99 | 53527 | 2 8 . | | | | |
| 31 | 31.43 | 4195 | 0.97 | 53459 | 3 2 . | | | | |
| 26 | 37.22 | 4748 | 0.85 | 53400 | 3 6 . | | | | |
| 122 | 7.95 | 1100 | 3.49 | 59266 | C 1 0 2 1 8 . 0 _ M _ _ _ 1 5 . C - - | 462 | 180L | | |
| 87 | 11.11 | 1533 | 3.30 | 63366 | 1 1 . | | | | |
| 80 | 12.08 | 1666 | 3.13 | 64500 | 1 2 . | | | | |
| 71 | 13.72 | 1887 | 2.90 | 66500 | 1 4 . | | | | |
| 58 | 16.63 | 2218 | 2.49 | 70700 | 1 6 . | | | | |
| 54 | 17.87 | 2445 | 2.47 | 70666 | 1 8 . | | | | |
| 50 | 19.29 | 2637 | 2.35 | 72300 | 2 0 . | | | | |
| 42 | 23.23 | 3077 | 1.94 | 76466 | 2 2 . | | | | |
| 38 | 25.27 | 3330 | 1.83 | 78100 | 2 5 . | | | | |
| 34 | 28.70 | 3765 | 1.66 | 80466 | 2 8 . | | | | |
| 30 | 31.85 | 4290 | 1.72 | 79300 | 3 2 . | | | | |
| 26 | 37.38 | 4876 | 1.35 | 84089 | 3 6 . | | | | |
| 24 | 40.36 | 5231 | 1.27 | 84710 | 4 0 . | | | | |
| 22 | 43.65 | 5830 | 1.39 | 81920 | 4 5 . | | | | |
| 20 | 48.51 | 6466 | 1.29 | 82873 | 5 0 . | | | | |
| 16 | 58.85 | 7518 | 0.94 | 87263 | 5 6 . | | | | |
| 15 | 66.62 | 8518 | 0.85 | 87300 | 6 3 . | | | | |
| 14 | 69.18 | 9086 | 0.95 | 87200 | 7 1 . | | | | |
| 184 | 7.97 | 895 | 2.37 | 43286 | C 0 9 2 1 8 . 0 _ M _ _ _ 1 8 . A - - | 351 | 180M | | |
| 134 | 10.98 | 1230 | 1.97 | 45945 | 1 1 . | | | | |
| 119 | 12.30 | 1379 | 1.84 | 46853 | 1 2 . | | | | |
| 106 | 13.81 | 1540 | 1.72 | 48051 | 1 4 . | | | | |
| 88 | 16.68 | 1783 | 1.45 | 51284 | 1 6 . | | | | |
| 83 | 17.79 | 1980 | 1.47 | 50655 | 1 8 . | | | | |
| 74 | 19.88 | 2201 | 1.38 | 51618 | 2 0 . | | | | |
| 64 | 22.96 | 2444 | 1.19 | 53663 | 2 2 . | | | | |
| 57 | 25.73 | 2741 | 1.11 | 53663 | 2 5 . | | | | |
| 51 | 28.89 | 3054 | 1.04 | 53663 | 2 8 . | | | | |
| 47 | 31.43 | 3447 | 1.04 | 53400 | 3 2 . | | | | |
| 39 | 37.22 | 3907 | 0.89 | 53500 | 3 6 . | | | | |
| 35 | 41.59 | 4369 | 0.83 | 53400 | 4 0 . | | | | |
| 33 | 44.55 | 4838 | 0.83 | 53400 | 4 5 . | | | | |
| 132 | 11.11 | 1251 | 3.44 | 59054 | C 1 0 2 1 1 1 . _ M _ _ _ 1 8 . A - - | | | 448 | 180M |
| 122 | 12.08 | 1362 | 3.27 | 60144 | 1 2 . | | | | |
| 107 | 13.72 | 1544 | 3.03 | 62045 | 1 4 . | | | | |
| 88 | 16.63 | 1809 | 2.61 | 65844 | 1 6 . | | | | |
| 82 | 17.87 | 2002 | 2.59 | 66038 | 1 8 . | | | | |
| 76 | 19.29 | 2156 | 2.47 | 67583 | 2 0 . | | | | |
| 63 | 23.23 | 2522 | 2.14 | 70970 | 2 2 . | | | | |
| 58 | 25.27 | 2739 | 2.02 | 71794 | 2 5 . | | | | |
| 51 | 28.70 | 3101 | 1.84 | 72890 | 2 8 . | | | | |
| 46 | 31.85 | 3528 | 1.81 | 71292 | 3 2 . | | | | |
| 39 | 37.38 | 4021 | 1.51 | 76163 | 3 6 . | | | | |
| 36 | 40.36 | 4316 | 1.42 | 77526 | 4 0 . | | | | |

NOTE:

Other output speeds are available using 2 & 8 pole motors. Please contact our Application Engineers

SERIES C SELECTION TABLE GEARED MOTORS

18.5 kW
4 POLE

18.5 kW
6 POLE

22.0 kW
4 POLE

22.0 kW
6 POLE

NOTE:
Other output speeds are available using 2 & 8 pole motors. Please contact our Application Engineers

| N2 RPM | i | M2 Nm | Fm | N | Unit Designation | kg | | | |
|--------------|-------|---------------|----------------|---------------|--|---------------------------|------------|-----|------|
| Output Speed | Ratio | Output Torque | Service Factor | Overhung Load | Column Entry 1 - 20 Spaces to be filled when entering order | Weight of Base Mount unit | Motor Size | | |
| 34 | 43.65 | 4790 | 1.49 | 75342 | C 1 0 2 1 4 5 . _ M _ _ _ 1 8 . A - - | 448 | 180M | | |
| 30 | 48.51 | 5306 | 1.37 | 76025 | 5 0 . | | | | |
| 25 | 58.85 | 6226 | 1.06 | 83513 | 5 6 . | | | | |
| 22 | 66.62 | 7019 | 0.96 | 84672 | 6 3 . | | | | |
| 21 | 69.18 | 7486 | 1.01 | 79085 | 7 1 . | | | | |
| 18 | 79.71 | 8586 | 0.89 | 82500 | 8 0 . | | | | |
| 122 | 7.97 | 1344 | 1.87 | 45560 | C 0 9 2 1 8 . 0 _ M _ _ _ 1 8 . C - - | 423 | 200L | | |
| 89 | 10.98 | 1847 | 1.54 | 47882 | 1 1 . | | | | |
| 79 | 12.30 | 2064 | 1.44 | 48742 | 1 2 . | | | | |
| 71 | 13.81 | 2314 | 1.34 | 49546 | 1 4 . | | | | |
| 58 | 16.68 | 2692 | 1.13 | 52889 | 1 6 . | | | | |
| 55 | 17.79 | 2963 | 1.15 | 51068 | 1 8 . | | | | |
| 49 | 19.88 | 3297 | 1.07 | 51675 | 2 0 . | | | | |
| 42 | 22.96 | 3675 | 0.93 | 53496 | 2 2 . | | | | |
| 38 | 25.73 | 4092 | 0.87 | 53500 | 2 5 . | | | | |
| 34 | 28.89 | 4584 | 0.81 | 53400 | 2 8 . | | | | |
| 123 | 7.95 | 1350 | 2.84 | 58597 | C 1 0 2 1 8 . 0 _ M _ _ _ 1 8 . C - - | | | 522 | 200L |
| 88 | 11.11 | 1881 | 2.69 | 62417 | 1 1 . | | | | |
| 81 | 12.08 | 2044 | 2.55 | 63473 | 1 2 . | | | | |
| 71 | 13.72 | 2316 | 2.37 | 65333 | 1 4 . | | | | |
| 59 | 16.63 | 2722 | 2.03 | 69673 | 1 6 . | | | | |
| 55 | 17.87 | 3001 | 2.01 | 69157 | 1 8 . | | | | |
| 51 | 19.29 | 3235 | 1.92 | 70666 | 2 0 . | | | | |
| 42 | 23.23 | 3775 | 1.58 | 75051 | 2 2 . | | | | |
| 39 | 25.27 | 4086 | 1.49 | 76560 | 2 5 . | | | | |
| 34 | 28.70 | 4620 | 1.35 | 78724 | 2 8 . | | | | |
| 31 | 31.85 | 5264 | 1.40 | 76640 | 3 2 . | | | | |
| 26 | 37.38 | 5983 | 1.10 | 82544 | 3 6 . | | | | |
| 24 | 40.36 | 6418 | 1.04 | 83455 | 4 0 . | | | | |
| 184 | 7.97 | 1064 | 1.99 | 42720 | C 0 9 2 1 8 . 0 _ M _ _ _ 2 2 . A - - | 365 | 180L | | |
| 134 | 10.98 | 1462 | 1.65 | 45173 | 1 1 . | | | | |
| 119 | 12.30 | 1640 | 1.55 | 45992 | 1 2 . | | | | |
| 106 | 13.81 | 1831 | 1.45 | 47096 | 1 4 . | | | | |
| 88 | 16.68 | 2120 | 1.22 | 50436 | 1 6 . | | | | |
| 83 | 17.79 | 2355 | 1.24 | 49421 | 1 8 . | | | | |
| 74 | 19.88 | 2617 | 1.16 | 50600 | 2 0 . | | | | |
| 64 | 22.96 | 2906 | 1.00 | 53600 | 2 2 . | | | | |
| 57 | 25.73 | 3260 | 0.94 | 53600 | 2 5 . | | | | |
| 51 | 28.89 | 3632 | 0.88 | 53600 | 2 8 . | | | | |
| 185 | 7.95 | 1066 | 3.50 | 54676 | C 1 0 2 1 8 . 0 _ M _ _ _ 2 2 . A - - | | | 462 | 180L |
| 132 | 11.11 | 1488 | 2.89 | 58426 | 1 1 . | | | | |
| 122 | 12.08 | 1620 | 2.75 | 59464 | 1 2 . | | | | |
| 107 | 13.72 | 1836 | 2.55 | 61273 | 1 4 . | | | | |
| 88 | 16.63 | 2151 | 2.20 | 65164 | 1 6 . | | | | |
| 82 | 17.87 | 2381 | 2.18 | 65029 | 1 8 . | | | | |
| 76 | 19.29 | 2564 | 2.08 | 66502 | 2 0 . | | | | |
| 63 | 23.23 | 2999 | 1.80 | 70023 | 2 2 . | | | | |
| 58 | 25.27 | 3258 | 1.70 | 70764 | 2 5 . | | | | |
| 51 | 28.70 | 3687 | 1.55 | 71719 | 2 8 . | | | | |
| 46 | 31.85 | 4195 | 1.53 | 69515 | 3 2 . | | | | |
| 39 | 37.38 | 4782 | 1.27 | 74652 | 3 6 . | | | | |
| 36 | 40.36 | 5133 | 1.20 | 75905 | 4 0 . | | | | |
| 34 | 43.65 | 5696 | 1.25 | 72925 | 4 5 . | | | | |
| 30 | 48.51 | 6310 | 1.15 | 73582 | 5 0 . | | | | |
| 25 | 58.85 | 7405 | 0.89 | 81700 | 5 6 . | | | | |
| 22 | 66.62 | 8347 | 0.81 | 83400 | 6 3 . | | | | |
| 21 | 69.18 | 8903 | 0.85 | 77300 | 7 1 . | | | | |
| 122 | 7.97 | 1599 | 1.57 | 44720 | C 0 9 2 1 8 . 0 _ M _ _ _ 2 2 . C - - | 423 | 200L | | |
| 89 | 10.98 | 2197 | 1.29 | 46731 | 1 1 . | | | | |
| 79 | 12.30 | 2455 | 1.21 | 47451 | 1 2 . | | | | |
| 71 | 13.81 | 2752 | 1.13 | 48193 | 1 4 . | | | | |
| 58 | 16.68 | 3201 | 0.95 | 52600 | 1 6 . | | | | |
| 55 | 17.79 | 3523 | 0.96 | 50200 | 1 8 . | | | | |
| 49 | 19.88 | 3921 | 0.90 | 51000 | 2 0 . | | | | |
| 123 | 7.95 | 1605 | 2.39 | 57928 | C 1 0 2 1 8 . 0 _ M _ _ _ 2 2 . C - - | 522 | 200L | | |
| 88 | 11.11 | 2236 | 2.26 | 61468 | 1 1 . | | | | |
| 81 | 12.08 | 2431 | 2.15 | 62446 | 1 2 . | | | | |
| 71 | 13.72 | 2754 | 1.99 | 64166 | 1 4 . | | | | |
| 59 | 16.63 | 3237 | 1.71 | 68646 | 1 6 . | | | | |
| 55 | 17.87 | 3568 | 1.69 | 67648 | 1 8 . | | | | |
| 51 | 19.29 | 3848 | 1.61 | 69033 | 2 0 . | | | | |
| 42 | 23.23 | 4490 | 1.33 | 73635 | 2 2 . | | | | |
| 39 | 25.27 | 4859 | 1.25 | 75020 | 2 5 . | | | | |
| 34 | 28.70 | 5494 | 1.14 | 76982 | 2 8 . | | | | |
| 31 | 31.85 | 6260 | 1.18 | 73980 | 3 2 . | | | | |
| 26 | 37.38 | 7115 | 0.92 | 81000 | 3 6 . | | | | |
| 24 | 40.36 | 7633 | 0.87 | 82200 | 4 0 . | | | | |

SERIES C SELECTION TABLE GEARED MOTORS

30.0 kW
4 POLE

30.0 kW
6 POLE

37.0 kW
4 POLE

45.0 kW
4 POLE

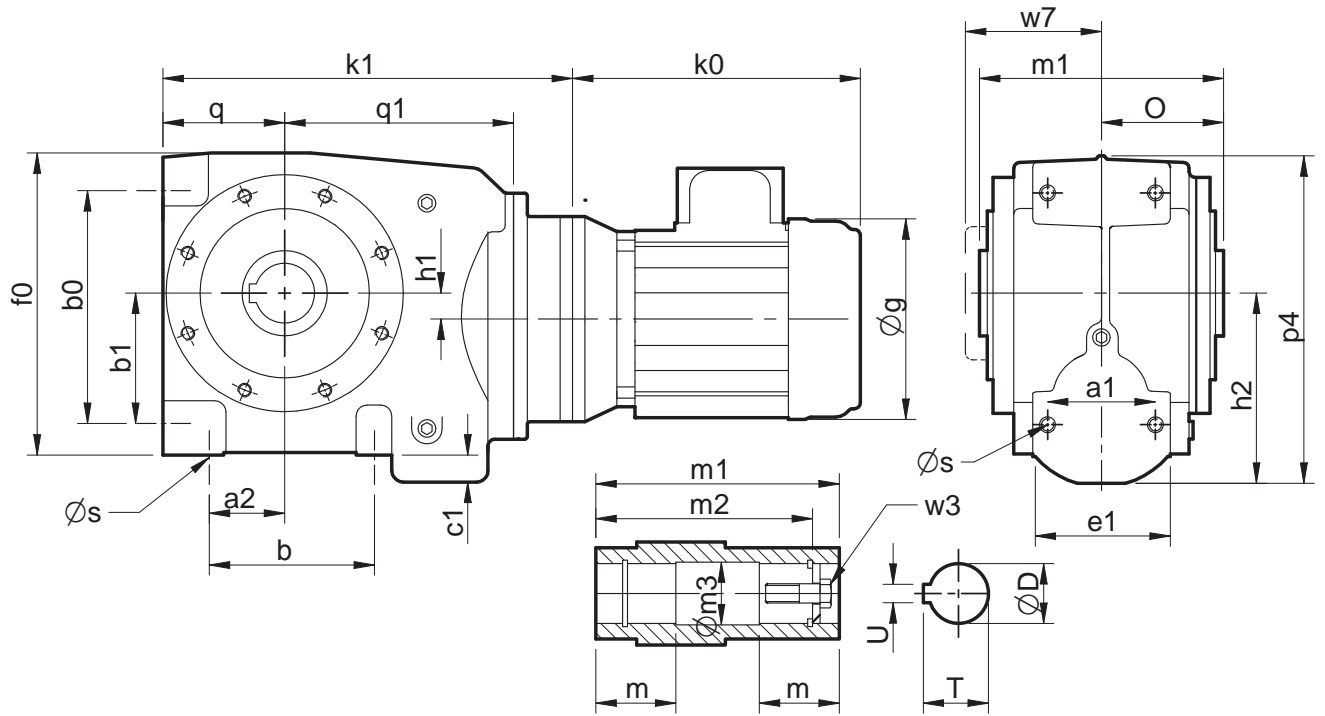
| N2 RPM | i | M2 Nm | Fm | N | Unit Designation | kg | |
|--------------|-------|---------------|----------------|---------------|--|---------------------------|------------|
| Output Speed | Ratio | Output Torque | Service Factor | Overhung Load | Column Entry 1 - 20 Spaces to be filled when entering order | Weight of Base Mount unit | Motor Size |
| 184 | 7.97 | 1452 | 1.46 | 41426 | C 0 9 2 1 8 . 0 _ M _ _ _ 3 0 . A - | 423 | 200L |
| 134 | 10.98 | 1994 | 1.21 | 43408 | 1 1 . | | |
| 119 | 12.30 | 2237 | 1.14 | 44023 | 1 2 . | | |
| 106 | 13.81 | 2497 | 1.06 | 44911 | 1 4 . | | |
| 88 | 16.68 | 2891 | 0.89 | 48500 | 1 6 . | | |
| 83 | 17.79 | 3212 | 0.91 | 46600 | 1 8 . | | |
| 185 | 7.95 | 1454 | 2.56 | 53641 | C 1 0 2 1 8 . 0 _ M _ _ _ 3 0 . A - | 522 | 200L |
| 132 | 11.11 | 2029 | 2.12 | 56991 | 1 1 . | | |
| 122 | 12.08 | 2209 | 2.01 | 57911 | 1 2 . | | |
| 107 | 13.72 | 2504 | 1.87 | 59508 | 1 4 . | | |
| 88 | 16.63 | 2934 | 1.61 | 63611 | 1 6 . | | |
| 82 | 17.87 | 3247 | 1.60 | 62723 | 1 8 . | | |
| 76 | 19.29 | 3497 | 1.52 | 64032 | 2 0 . | | |
| 63 | 23.23 | 4089 | 1.32 | 67858 | 2 2 . | | |
| 58 | 25.27 | 4442 | 1.25 | 68411 | 2 5 . | | |
| 51 | 28.70 | 5028 | 1.14 | 69042 | 2 8 . | | |
| 46 | 31.85 | 5721 | 1.12 | 65453 | 3 2 . | | |
| 39 | 37.38 | 6520 | 0.93 | 71200 | 3 6 . | | |
| 36 | 40.36 | 6999 | 0.88 | 72200 | 4 0 . | | |
| 123 | 7.97 | 2169 | 1.16 | 42800 | C 0 9 2 1 8 . 0 _ M _ _ _ 3 0 . C - | 513 | 225M |
| 89 | 10.98 | 2980 | 0.95 | 44100 | 1 1 . | | |
| 80 | 12.30 | 3331 | 0.89 | 44500 | 1 2 . | | |
| 71 | 13.81 | 3733 | 0.83 | 45100 | 1 4 . | | |
| 123 | 7.95 | 2178 | 1.76 | 56400 | C 1 0 2 1 8 . 0 _ M _ _ _ 3 0 . C - | 612 | 225M |
| 88 | 11.11 | 3034 | 1.67 | 59300 | 1 1 . | | |
| 81 | 12.08 | 3299 | 1.58 | 60100 | 1 2 . | | |
| 71 | 13.72 | 3736 | 1.47 | 61500 | 1 4 . | | |
| 59 | 16.63 | 4392 | 1.26 | 66300 | 1 6 . | | |
| 55 | 17.87 | 4841 | 1.25 | 64200 | 1 8 . | | |
| 51 | 19.29 | 5220 | 1.19 | 65300 | 2 0 . | | |
| 42 | 23.23 | 6091 | 0.98 | 70400 | 2 2 . | | |
| 39 | 25.27 | 6593 | 0.92 | 71500 | 2 5 . | | |
| 34 | 28.70 | 7454 | 0.84 | 73000 | 2 8 . | | |
| 31 | 31.85 | 8493 | 0.87 | 67900 | 3 2 . | | |
| 185 | 7.97 | 1784 | 1.19 | 40294 | C 0 9 2 1 8 . 0 _ M _ _ _ 3 7 . A - | 478 | 225S |
| 134 | 10.98 | 2451 | 0.99 | 41864 | 1 1 . | | |
| 120 | 12.30 | 2749 | 0.92 | 42300 | 1 2 . | | |
| 107 | 13.81 | 3069 | 0.86 | 43000 | 1 4 . | | |
| 186 | 7.95 | 1787 | 2.09 | 52735 | C 1 0 2 1 8 . 0 _ M _ _ _ 3 7 . A - | 577 | 225S |
| 133 | 11.11 | 2494 | 1.72 | 55735 | 1 1 . | | |
| 122 | 12.08 | 2715 | 1.64 | 56552 | 1 2 . | | |
| 108 | 13.72 | 3078 | 1.52 | 57964 | 1 4 . | | |
| 89 | 16.63 | 3606 | 1.31 | 62252 | 1 6 . | | |
| 83 | 17.87 | 3991 | 1.30 | 60705 | 1 8 . | | |
| 76 | 19.29 | 4298 | 1.24 | 61870 | 2 0 . | | |
| 63 | 23.23 | 5026 | 1.07 | 65964 | 2 2 . | | |
| 58 | 25.27 | 5460 | 1.01 | 66352 | 2 5 . | | |
| 51 | 28.70 | 6181 | 0.92 | 66700 | 2 8 . | | |
| 46 | 31.85 | 7032 | 0.91 | 61900 | 3 2 . | | |
| 185 | 7.97 | 2170 | 0.98 | 39000 | C 0 9 2 1 8 . 0 _ M _ _ _ 4 5 . A - | 513 | 225M |
| 134 | 10.98 | 2982 | 0.81 | 40100 | 1 1 . | | |
| 186 | 7.95 | 2173 | 1.72 | 51700 | C 1 0 2 1 8 . 0 _ M _ _ _ 4 5 . A - | 612 | 225M |
| 133 | 11.11 | 3033 | 1.42 | 54300 | 1 1 . | | |
| 122 | 12.08 | 3302 | 1.35 | 55000 | 1 2 . | | |
| 108 | 13.72 | 3743 | 1.25 | 56200 | 1 4 . | | |
| 89 | 16.63 | 4386 | 1.08 | 60700 | 1 6 . | | |
| 83 | 17.87 | 4854 | 1.07 | 58400 | 1 8 . | | |
| 76 | 19.29 | 5228 | 1.02 | 59400 | 2 0 . | | |
| 63 | 23.23 | 6113 | 0.88 | 63800 | 2 2 . | | |
| 58 | 25.27 | 6641 | 0.83 | 64000 | 2 5 . | | |

NOTE:
Other output speeds are available using 2 & 8 pole motors. Please contact our Application Engineers

SERIES C

DIMENSIONS

DOUBLE REDUCTION



| Size | a1 | a2 | b | b0 | b1 | c1 | e1 | f0 | h1 | h2 | o | p4 | q | q1 |
|-------|----|----|-----|-----|----|----|-----|-----|-----|-------|----|-----|----|-----|
| C0321 | 54 | 35 | 63 | 80 | 40 | 9 | 70 | 139 | 5.3 | 79.5 | 62 | 148 | 54 | 109 |
| C0421 | 56 | 35 | 80 | 118 | 65 | 7 | 80 | 158 | 15 | 93 | 65 | 168 | 64 | 119 |
| C0521 | 68 | 45 | 100 | 142 | 77 | 16 | 86 | 177 | 13 | 112 | 70 | 200 | 68 | 134 |
| C0621 | 80 | 56 | 122 | 172 | 96 | 20 | 102 | 218 | 17 | 139.5 | 90 | 243 | 90 | 169 |

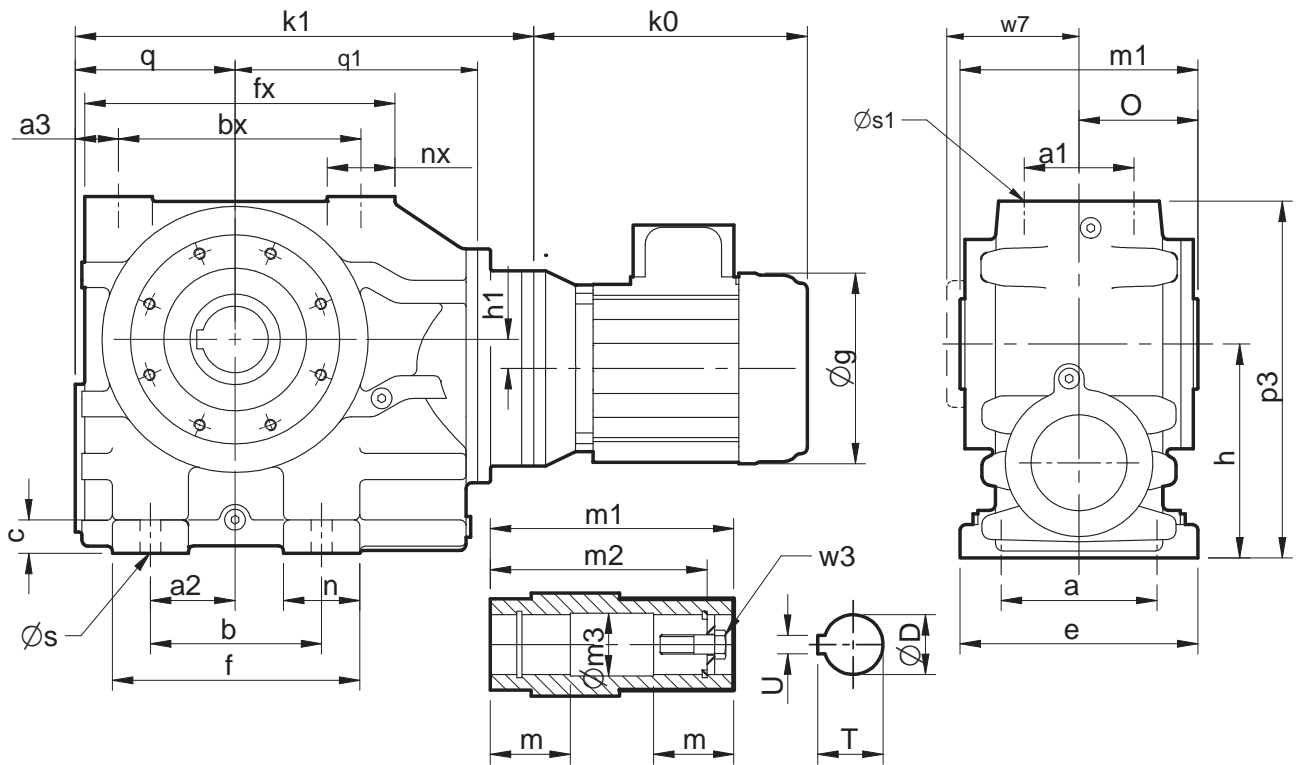
| Size | s | w7 | D | m | m1 | m2 | m3 | T | U | w3 |
|-------|-----------------|------|----|----|-----|-----|------|------|----|-----------------|
| C0321 | M8 x 1.25 x 15 | 70 | 20 | 52 | 124 | 104 | 20.2 | 22.9 | 6 | M6 x 1.0 x 40 |
| C0421 | M10 x 1.5 x 20 | 74.5 | 30 | 54 | 130 | 122 | 30.2 | 33.5 | 8 | M10 x 1.5 x 50 |
| C0521 | M10 x 1.5 x 18 | 79 | 35 | 56 | 140 | 127 | 35.3 | 38.5 | 10 | M12 x 1.75 x 55 |
| C0621 | M12 x 1.75 x 20 | 101 | 45 | 70 | 180 | 156 | 45.3 | 49 | 14 | M16 x 2.0 x 70 |

| Size | | | C0321 | C0421 | C0521 | C0621 |
|------|-----|-----|-------|-------|-------|-------|
| | k0 | g | k1 | k1 | k1 | k1 |
| 63 | 195 | 125 | 197 | 217 | 236 | 271 |
| 71 | 220 | 140 | 201 | 221 | 240 | 277 |
| 80 | 240 | 160 | 214 | 234 | 253 | 295 |
| 90S | 260 | 180 | 224 | 244 | 263 | 305 |
| 90L | 280 | 180 | 224 | 244 | 263 | 305 |
| 100L | 310 | 200 | 232 | 252 | 271 | 332 |
| 112M | 330 | 225 | 232 | 252 | 271 | 332 |

SERIES C

DIMENSIONS

DOUBLE REDUCTION



| Size | a | a1 | a2 | a3 | b | bx | c | e | f | fx | h | h1 | n | nx | o | p3 | q | q1 |
|-------|-----|-----|-----|------|-----|-----|----|-----|-----|-----|-----|----|-----|-----|-----|-----|-----|-----|
| C0721 | 150 | 100 | 75 | 35.5 | 135 | 215 | 28 | 185 | 202 | 280 | 180 | 26 | 67 | 63 | 109 | 302 | 143 | 220 |
| C0821 | 200 | 120 | 92 | 43 | 180 | 250 | 35 | 250 | 260 | 326 | 225 | 28 | 80 | 71 | 125 | 375 | 168 | 255 |
| C0921 | 250 | 135 | 115 | 50 | 235 | 290 | 40 | 305 | 320 | 380 | 280 | 40 | 85 | 85 | 150 | 457 | 195 | 300 |
| C1021 | 300 | 150 | 170 | 62.5 | 310 | 345 | 45 | 360 | 420 | 460 | 335 | 65 | 110 | 107 | 175 | 565 | 235 | 355 |

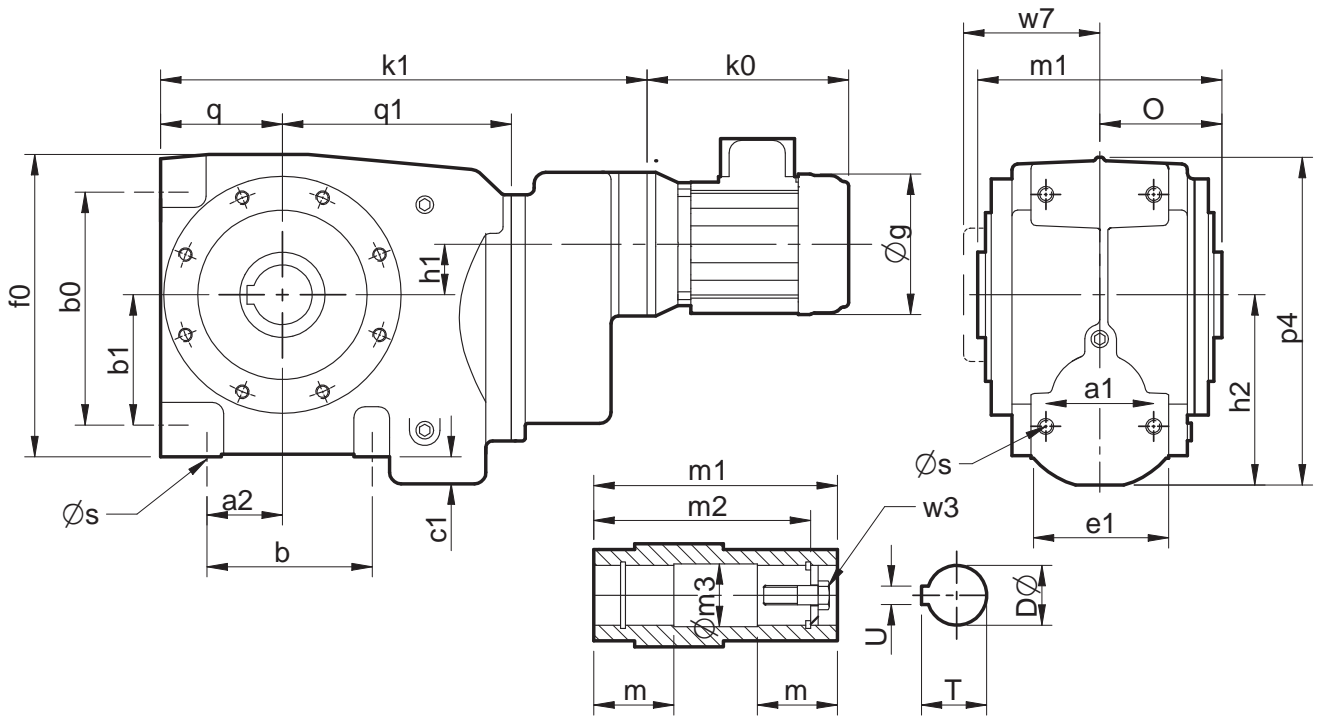
| Size | s | s1 | w7 | D | m | m1 | m2 | m3 | T | U | w3 |
|-------|----|----------------|-----|-----|-------|-----|-----|-------|-------|----|-----------------|
| C0721 | 18 | M20 x 2.5 x 34 | 125 | 60 | 79 | 218 | 188 | 60.5 | 64.6 | 18 | M20 x 2.5, 80 |
| C0821 | 22 | M20 x 2.5 x 34 | 143 | 70 | 90 | 250 | 220 | 70.5 | 75.1 | 20 | M20 x 2.5, 80 |
| C0921 | 26 | M24 x 3.0 x 45 | 169 | 90 | 107.5 | 300 | 265 | 90.5 | 95.6 | 25 | M24 x 3.0 x 110 |
| C1021 | 26 | M24 x 3.0 x 45 | 198 | 100 | 132.5 | 350 | 313 | 100.5 | 106.6 | 28 | M24 x 3.0 x 110 |

| Size | | | C0721 | C0821 | C0921 | C1021 |
|------|-----|-----|-------|-------|-------|-------|
| | k0 | g | k1 | k1 | k1 | k1 |
| 80 | 240 | 160 | 400 | 505 | 553 | - |
| 90S | 260 | 180 | 410 | 505 | 553 | - |
| 90L | 280 | 180 | 410 | 505 | 553 | - |
| 100L | 310 | 200 | 422 | 511 | 559 | 637 |
| 112M | 330 | 225 | 422 | 511 | 559 | 637 |
| 132S | 380 | 260 | 444 | 511 | 559 | 637 |
| 132M | 420 | 260 | 444 | 511 | 559 | 637 |
| 160M | 480 | 320 | 452 | 541 | 594 | 672 |
| 160L | 530 | 320 | 452 | 541 | 594 | 672 |
| 180M | 560 | 360 | - | - | 594 | 672 |
| 180L | 595 | 360 | - | - | 594 | 672 |
| 200L | 660 | 400 | - | - | 594 | 672 |
| 225S | 680 | 450 | - | - | 621 | 699 |
| 225M | 725 | 450 | - | - | 621 | 699 |

SERIES C

DIMENSIONS

TRIPLE REDUCTION



| Size | a1 | a2 | b | b0 | b1 | c1 | e1 | f0 | h1 | h2 | o | p4 | q | q1 |
|-------|----|----|-----|-----|----|----|-----|-----|-------|-------|----|-----|----|-----|
| C0331 | 54 | 35 | 63 | 80 | 40 | 9 | 70 | 139 | 30.75 | 79.5 | 62 | 148 | 54 | 109 |
| C0431 | 56 | 35 | 80 | 118 | 65 | 7 | 80 | 158 | 21.2 | 93 | 65 | 168 | 64 | 119 |
| C0531 | 68 | 46 | 100 | 142 | 77 | 16 | 86 | 177 | 23 | 112 | 70 | 200 | 68 | 134 |
| C0631 | 80 | 56 | 122 | 172 | 96 | 20 | 102 | 218 | 30 | 139.5 | 90 | 243 | 90 | 169 |

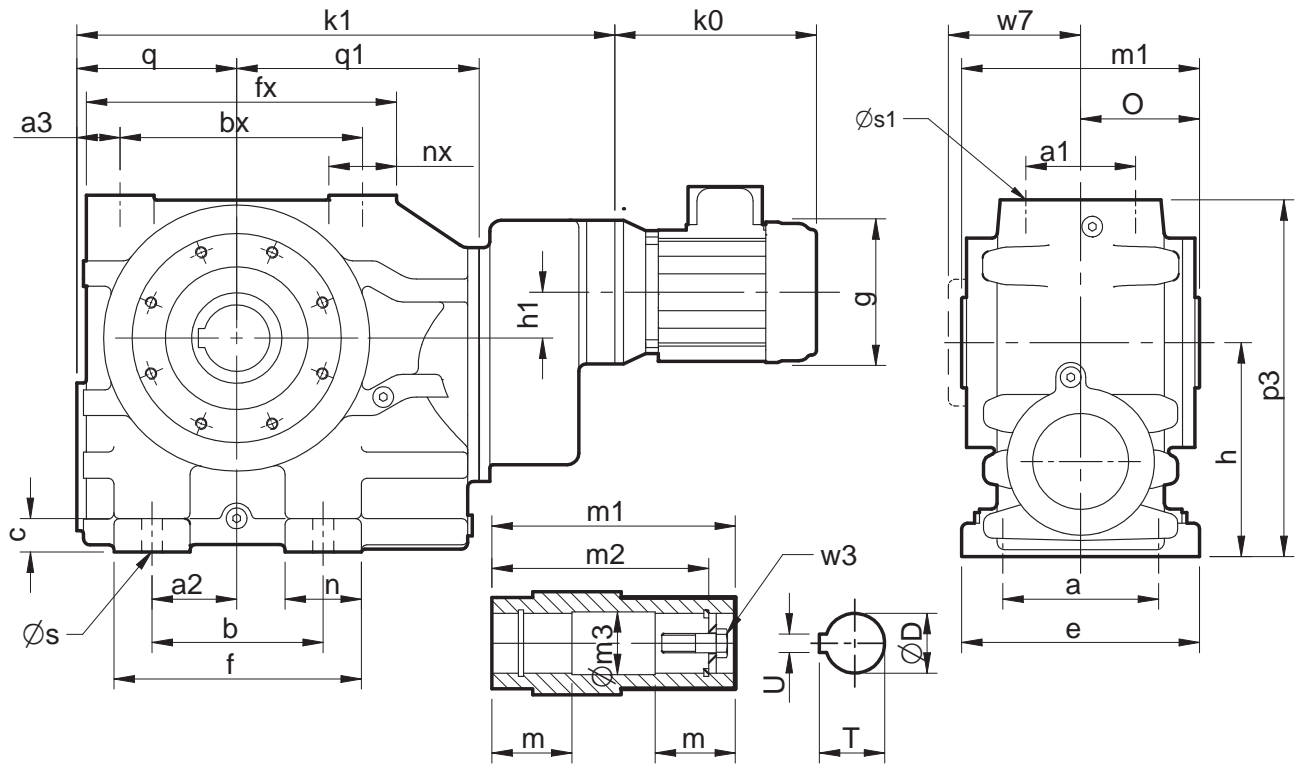
| Size | s | w7 | D | m | m1 | m2 | m3 | T | U | w3 |
|-------|-----------------|------|----|----|-----|-----|------|------|----|-----------------|
| C0331 | M8 x 1.25 x 15 | 70 | 20 | 52 | 124 | 104 | 20.2 | 22.9 | 6 | M6 x 1.0 x 40 |
| C0431 | M10 x 1.5 x 18 | 74.5 | 30 | 54 | 130 | 122 | 30.2 | 33.5 | 8 | M10 x 1.5 x 50 |
| C0531 | M10 x 1.5 x 18 | 79 | 35 | 56 | 140 | 127 | 35.3 | 38.5 | 10 | M12 x 1.75 x 55 |
| C0631 | M12 x 1.75 x 20 | 101 | 45 | 70 | 180 | 156 | 45.3 | 49 | 14 | M16 x 2.0 x 70 |

| Size | | | C0331 | C0431 | C0531 | C0631 |
|------|-----|-----|-------|-------|-------|-------|
| | k0 | g | k1 | k1 | k1 | k1 |
| 63 | 195 | 125 | 253 | 273 | 292 | 359 |
| 71 | 220 | 140 | 257 | 277 | 296 | 363 |
| 80 | 240 | 160 | 270 | 290 | 309 | 376 |
| 90S | 260 | 180 | 280 | 300 | 319 | 386 |
| 90L | 280 | 180 | 280 | 300 | 319 | 386 |
| 100L | 310 | 200 | 288 | 308 | 327 | 394 |
| 112M | 330 | 225 | 288 | 308 | 327 | 394 |

SERIES C

DIMENSIONS

TRIPLE REDUCTION



| Size | a | a1 | a2 | a3 | b | bx | c | e | f | fx | h | h1 | n | nx | o | p3 | q | q1 |
|--------------|-----|-----|----|------|-----|-----|----|-----|-----|-----|-----|----|----|----|-----|-----|-----|-----|
| C0731 | 150 | 100 | 75 | 35.5 | 135 | 215 | 28 | 185 | 202 | 280 | 180 | 34 | 67 | 63 | 109 | 302 | 143 | 220 |

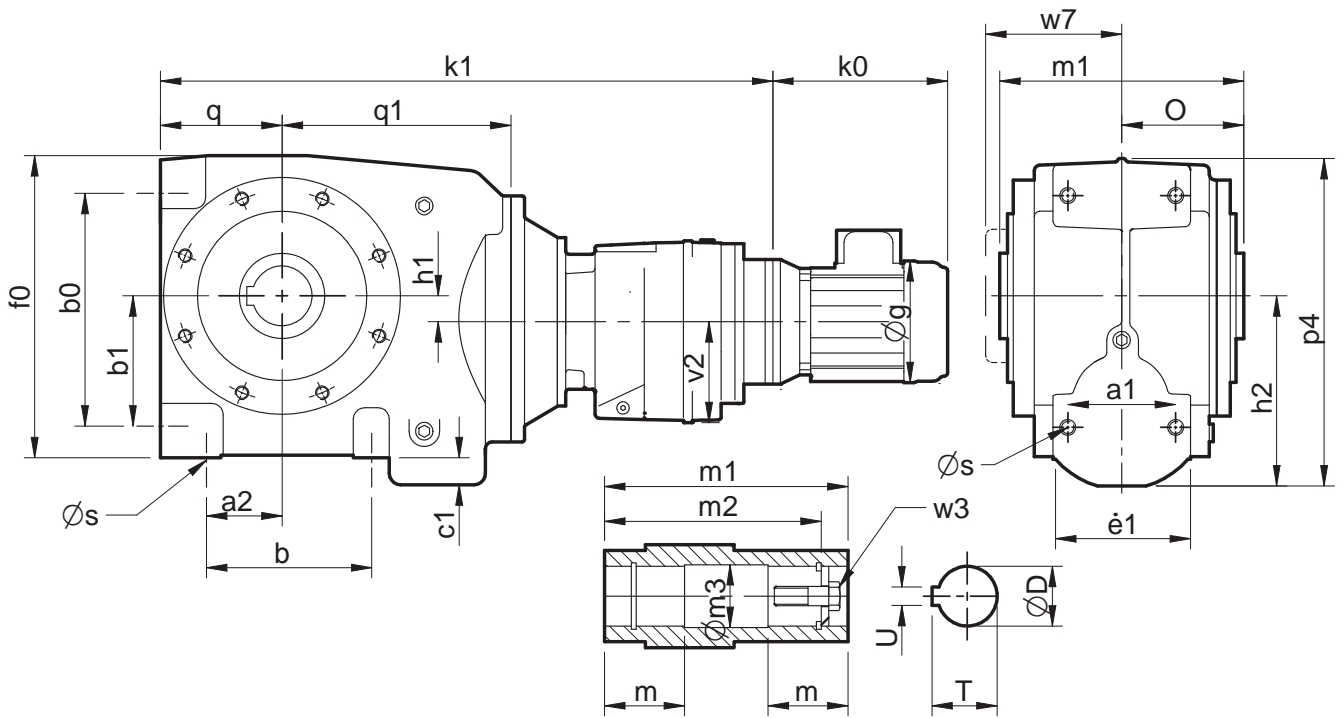
| Size | s | s1 | w7 | D | m | m1 | m2 | m3 | T | U | w3 |
|--------------|----|----------------|-----|----|----|-----|-----|------|------|----|----------------|
| C0731 | 18 | M20 x 2.5 x 34 | 125 | 60 | 79 | 218 | 188 | 60.5 | 64.6 | 18 | M20 x 2.5 x 80 |

| Size | C0721 | | |
|-------------|-------|-----|-----|
| | k0 | g | k1 |
| 63 | 195 | 125 | 461 |
| 71 | 220 | 140 | 467 |
| 80 | 240 | 160 | 485 |
| 90S | 260 | 180 | 495 |
| 90L | 280 | 180 | 495 |
| 100L | 310 | 200 | 522 |
| 112M | 330 | 225 | 522 |
| 132S | 380 | 260 | 522 |
| 132M | 420 | 260 | 522 |

SERIES C

DIMENSIONS

QUADRUPLE REDUCTION



| Size | a1 | a2 | b | b0 | b1 | c1 | e1 | f0 | h1 | h2 | o | p4 | q | q1 |
|-------|----|----|-----|-----|----|----|-----|-----|-----|-------|----|-----|----|-----|
| C0341 | 54 | 35 | 63 | 80 | 40 | 9 | 70 | 139 | 5.3 | 79.5 | 62 | 148 | 54 | 109 |
| C0441 | 56 | 35 | 80 | 118 | 65 | 7 | 80 | 158 | 15 | 93 | 65 | 168 | 64 | 119 |
| C0541 | 68 | 45 | 100 | 142 | 77 | 16 | 86 | 177 | 13 | 112 | 70 | 200 | 68 | 134 |
| C0641 | 80 | 56 | 122 | 172 | 96 | 20 | 102 | 218 | 17 | 139.5 | 90 | 243 | 90 | 169 |

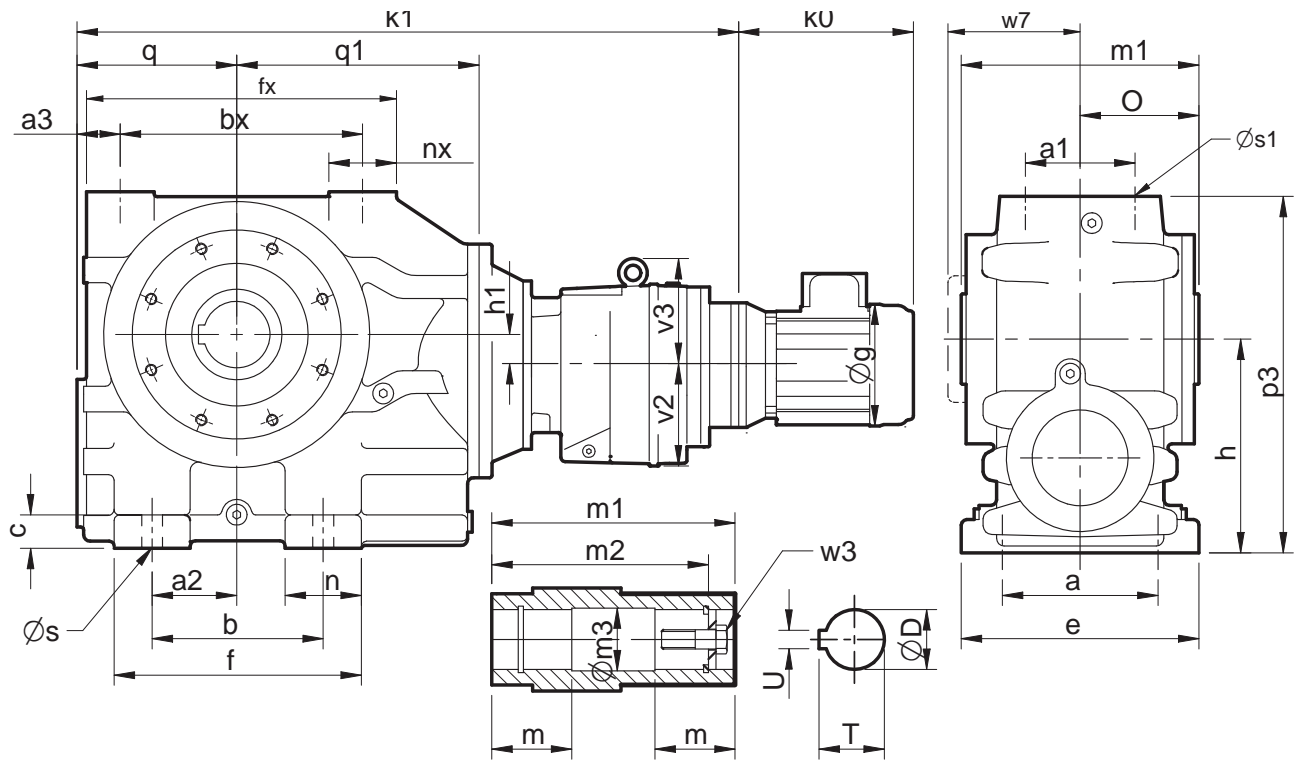
| Size | s | v2 | w7 | D | m | m1 | m2 | m3 | T | U | w3 |
|-------|-----------------|----|------|----|----|-----|-----|------|------|----|-----------------|
| C0341 | M8 x 1.25 x 15 | 76 | 70 | 20 | 52 | 124 | 104 | 20.2 | 22.9 | 6 | M6 x 1.0 x 40 |
| C0441 | M10 x 1.5 x 20 | 76 | 74.5 | 30 | 54 | 130 | 122 | 30.2 | 33.5 | 8 | M10 x 1.5 x 50 |
| C0541 | M10 x 1.5 x 18 | 76 | 79 | 35 | 56 | 140 | 127 | 35.3 | 38.5 | 10 | M12 x 1.75 x 55 |
| C0641 | M12 x 1.75 x 20 | 91 | 101 | 45 | 70 | 180 | 156 | 45.3 | 49 | 14 | M16 x 2.0 x 70 |

| Size | C0341 | | | | | | C0441 | | | | | | C0541 | | | | | | C0641 | | | | | |
|------|-------|-----|-----|-----|-----|-----|-------|-----|-----|-----|-----|-----|-------|-----|-----|-----|-----|-----|-------|-----|-----|-----|-----|-----|
| | k0 | g | k1 | k1 | k1 | k1 | k0 | g | k1 | k1 | k1 | k1 | k0 | g | k1 | k1 | k1 | k1 | k0 | g | k1 | k1 | k1 | k1 |
| 63 | 195 | 125 | 383 | 403 | 422 | 495 | 195 | 125 | 383 | 403 | 422 | 495 | 195 | 125 | 383 | 403 | 422 | 495 | 195 | 125 | 383 | 403 | 422 | 495 |
| 71 | 220 | 140 | 387 | 407 | 426 | 499 | 220 | 140 | 387 | 407 | 426 | 499 | 220 | 140 | 387 | 407 | 426 | 499 | 220 | 140 | 387 | 407 | 426 | 499 |
| 80 | 240 | 160 | 400 | 420 | 439 | 512 | 240 | 160 | 400 | 420 | 439 | 512 | 240 | 160 | 400 | 420 | 439 | 512 | 240 | 160 | 400 | 420 | 439 | 512 |
| 90S | 260 | 180 | 410 | 430 | 449 | 522 | 260 | 180 | 410 | 430 | 449 | 522 | 260 | 180 | 410 | 430 | 449 | 522 | 260 | 180 | 410 | 430 | 449 | 522 |
| 90L | 280 | 180 | 410 | 430 | 449 | 522 | 280 | 180 | 410 | 430 | 449 | 522 | 280 | 180 | 410 | 430 | 449 | 522 | 280 | 180 | 410 | 430 | 449 | 522 |
| 100L | 310 | 200 | 418 | 438 | 457 | 530 | 310 | 200 | 418 | 438 | 457 | 530 | 310 | 200 | 418 | 438 | 457 | 530 | 310 | 200 | 418 | 438 | 457 | 530 |
| 112M | 330 | 225 | 418 | 438 | 457 | 530 | 330 | 225 | 418 | 438 | 457 | 530 | 330 | 225 | 418 | 438 | 457 | 530 | 330 | 225 | 418 | 438 | 457 | 530 |

SERIES C

DIMENSIONS

QUADRUPLE REDUCTION



| Size | a | a1 | a2 | a3 | b | bx | c | e | f | fx | h | h1 | n | nx | o | p3 | q | q1 |
|--------------|-----|-----|-----|------|-----|-----|----|-----|-----|-----|-----|----|-----|-----|-----|-----|-----|-----|
| C0741 | 150 | 100 | 75 | 35.5 | 135 | 215 | 28 | 185 | 202 | 280 | 180 | 26 | 67 | 63 | 109 | 302 | 143 | 220 |
| C0841 | 200 | 120 | 92 | 43 | 180 | 250 | 35 | 250 | 260 | 326 | 225 | 28 | 80 | 71 | 125 | 375 | 168 | 255 |
| C0941 | 250 | 135 | 115 | 50 | 235 | 290 | 40 | 305 | 320 | 380 | 280 | 40 | 85 | 85 | 150 | 457 | 195 | 300 |
| C1041 | 300 | 150 | 170 | 62.5 | 310 | 345 | 45 | 360 | 420 | 460 | 335 | 65 | 110 | 107 | 175 | 565 | 235 | 355 |

| Size | s | s1 | v2 | v3 | w7 | D | m | m1 | m2 | m3 | T | U | w3 |
|--------------|----|----------------|-----|-----|-----|-----|-------|-----|-----|-------|-------|----|-----------------|
| C0741 | 18 | M20 x 2.5 x 34 | 91 | - | 125 | 60 | 79 | 218 | 188 | 60.5 | 64.6 | 18 | M20 x 2.5 x 80 |
| C0841 | 22 | M20 x 2.5 x 34 | 115 | - | 143 | 70 | 90 | 250 | 220 | 70.5 | 75.1 | 20 | M20 x 2.5 x 80 |
| C0941 | 26 | M24 x 3.0 x 45 | 115 | - | 169 | 90 | 107.5 | 300 | 265 | 90.5 | 95.6 | 25 | M24 x 3.0 x 110 |
| C1041 | 26 | M24 x 3.0 x 45 | 140 | 155 | 198 | 100 | 132.5 | 350 | 313 | 100.5 | 106.6 | 28 | M24 x 3.0 x 110 |

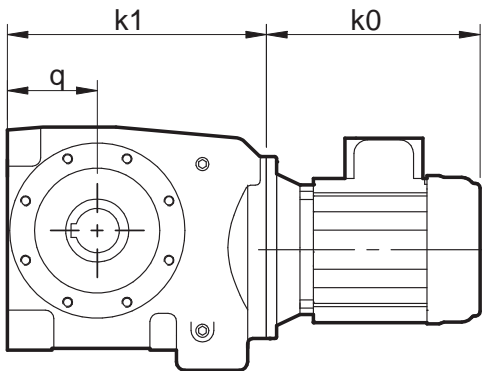
| Size | | | C0741 | C0841 | C0941 | C1041 |
|-------------|-----|-----|-------|-------|-------|-------|
| | k0 | g | k1 | k1 | k1 | k1 |
| 63 | 195 | 125 | 600 | 680 | 763 | - |
| 71 | 220 | 140 | 604 | 686 | 769 | - |
| 80 | 240 | 160 | 617 | 704 | 787 | 919 |
| 90S | 260 | 180 | 627 | 714 | 797 | 929 |
| 90L | 280 | 180 | 627 | 714 | 797 | 929 |
| 100L | 310 | 200 | 635 | 741 | 824 | 941 |
| 112M | 330 | 225 | 635 | 741 | 824 | 941 |
| 132S | 380 | 260 | - | 741 | 824 | 963 |
| 132M | 420 | 260 | - | 741 | 824 | 963 |
| 160M | 480 | 320 | - | - | - | 971 |
| 160L | 530 | 320 | - | - | - | 971 |

SERIES C

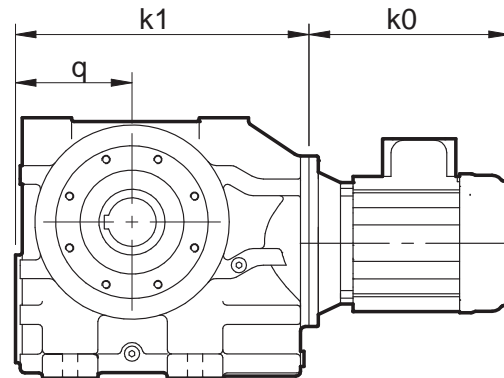
DIMENSIONS

UNITS WITH COMPACT MOTOR

Double Reduction Units



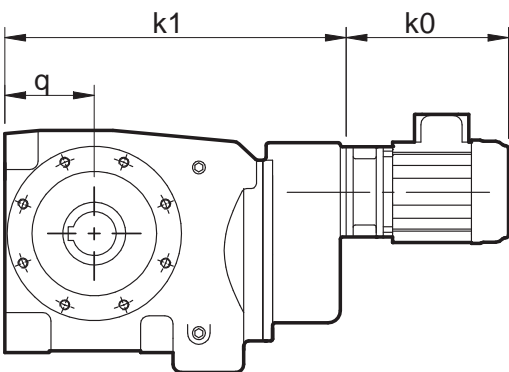
C0321 - C0621



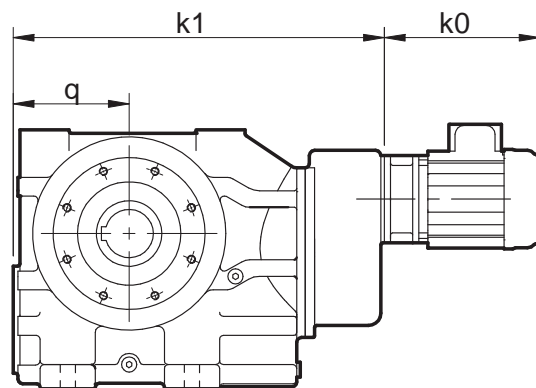
C0721 - C0821

| Size | C0321 | | | | C0421 | | | C0521 | | | C0621 | | | C0721 | | | C0821 | | | |
|---------|-------|-----|-----|----|-------|-----|----|-------|-----|----|-------|-----|----|-------|-----|-----|-------|-----|-----|---|
| | g | k1 | k0 | q | k1 | k0 | q | k1 | k0 | q | k1 | k0 | q | k1 | k0 | q | k1 | k0 | q | |
| 0.25 kW | 140 | 163 | 230 | 54 | 183 | 230 | 64 | 202 | 230 | 68 | - | - | - | - | - | - | - | - | - | - |
| 0.37 kW | 140 | 163 | 230 | 54 | 183 | 230 | 64 | 202 | 230 | 68 | - | - | - | - | - | - | - | - | - | - |
| 0.55 kW | 158 | 163 | 280 | 54 | 183 | 280 | 64 | 202 | 280 | 68 | 259 | 265 | 90 | - | - | - | - | - | - | - |
| 0.75 kW | 158 | 163 | 300 | 54 | 183 | 300 | 64 | 202 | 300 | 68 | 259 | 285 | 90 | - | - | - | - | - | - | - |
| 1.1 kW | 180 | 163 | 330 | 54 | 183 | 330 | 64 | 202 | 330 | 68 | 259 | 315 | 90 | 363 | 300 | 143 | - | - | - | - |
| 1.5 kW | 180 | 163 | 365 | 54 | 183 | 365 | 64 | 202 | 365 | 68 | 259 | 350 | 90 | 363 | 335 | 143 | - | - | - | - |
| 2.2 kW | 198 | - | - | - | - | - | - | - | - | - | 259 | 355 | 90 | 363 | 340 | 143 | 423 | 335 | 168 | - |
| 3.0 kW | 198 | - | - | - | - | - | - | - | - | - | 259 | 365 | 90 | 363 | 350 | 143 | 423 | 350 | 168 | - |
| 4.0 kW | 222 | - | - | - | - | - | - | - | - | - | 259 | 424 | 90 | 363 | 410 | 143 | 423 | 400 | 168 | - |
| 5.5 kW | 262 | - | - | - | - | - | - | - | - | - | 259 | 495 | 90 | 363 | 480 | 143 | 423 | 475 | 168 | - |
| 7.5 kW | 262 | - | - | - | - | - | - | - | - | - | - | - | - | 363 | 480 | 143 | 423 | 475 | 168 | - |

Triple Reduction Units



C0331 - C0631



C0731 - C0831

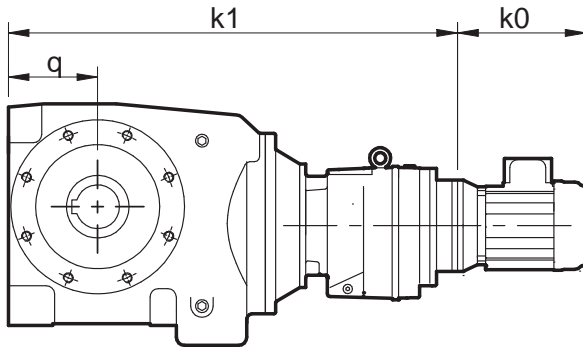
| Size | C0331 | | | | C0431 | | | C0531 | | | C0631 | | | C0731 | | |
|---------|-------|-----|-----|----|-------|-----|----|-------|-----|----|-------|-----|----|-------|-----|-----|
| | g | k1 | k0 | q | k1 | k0 | q | k1 | k0 | q | k1 | k0 | q | k1 | k0 | q |
| 0.25 kW | 140 | 219 | 230 | 54 | 239 | 230 | 64 | 258 | 230 | 68 | 325 | 230 | 90 | - | - | - |
| 0.37 kW | 140 | 219 | 230 | 54 | 239 | 230 | 64 | 258 | 230 | 68 | 325 | 230 | 90 | - | - | - |
| 0.55 kW | 160 | 219 | 280 | 54 | 239 | 280 | 64 | 258 | 280 | 68 | 325 | 280 | 90 | 449 | 265 | 143 |
| 0.75 kW | 160 | 219 | 300 | 54 | 239 | 300 | 64 | 258 | 300 | 68 | 325 | 300 | 90 | 449 | 285 | 143 |
| 1.1 kW | 180 | 210 | 330 | 54 | 239 | 330 | 64 | 258 | 330 | 68 | 325 | 330 | 90 | 449 | 315 | 143 |
| 1.5 kW | 180 | 219 | 365 | 54 | 239 | 365 | 64 | 258 | 365 | 68 | 325 | 365 | 90 | 449 | 350 | 143 |
| 2.2 kW | 200 | - | - | - | - | - | - | - | - | - | - | - | - | 449 | 355 | 143 |
| 3.0 kW | 200 | - | - | - | - | - | - | - | - | - | - | - | - | 449 | 365 | 143 |
| 4.0 kW | 225 | - | - | - | - | - | - | - | - | - | - | - | - | 449 | 424 | 143 |
| 5.5 kW | 260 | - | - | - | - | - | - | - | - | - | - | - | - | 449 | 495 | 143 |

SERIES C

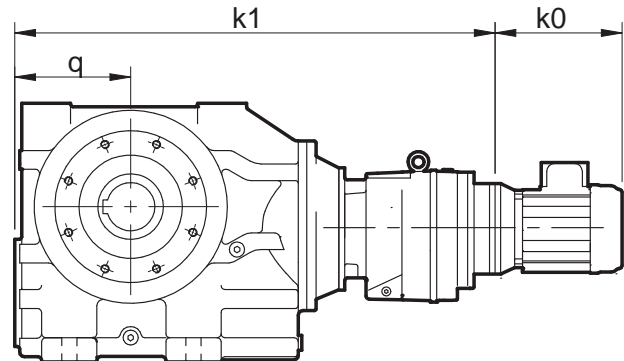
DIMENSIONS

UNITS WITH COMPACT MOTOR

Quadruple Reduction Units



C0341 - C0641



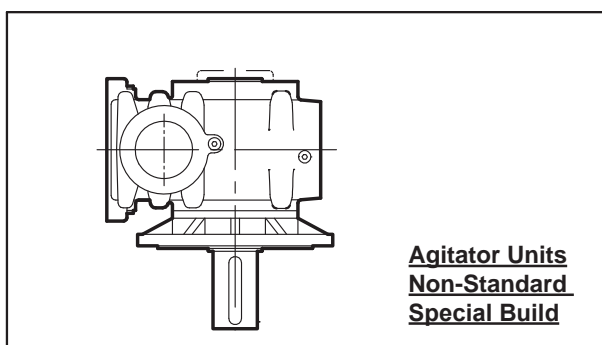
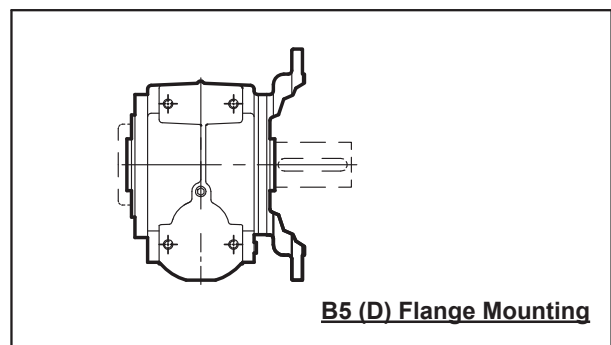
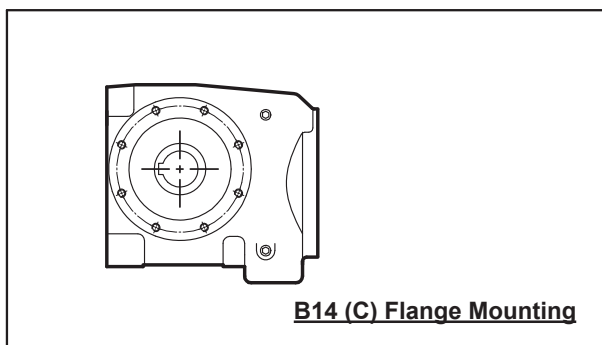
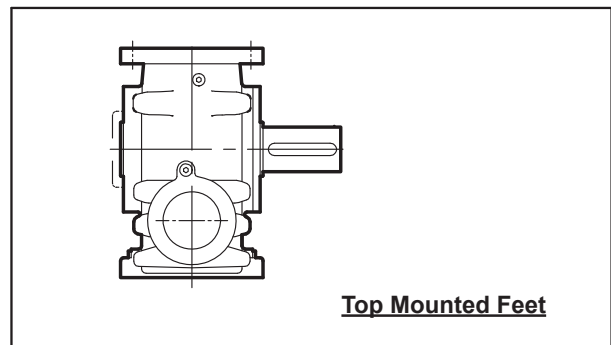
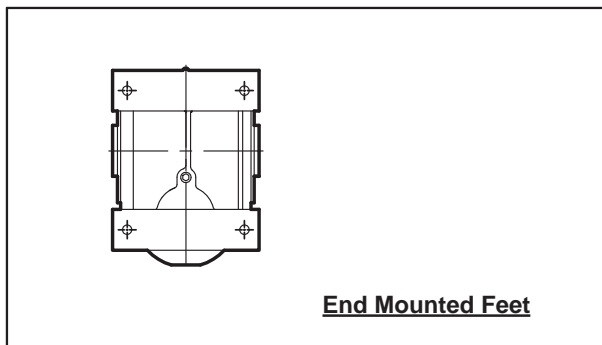
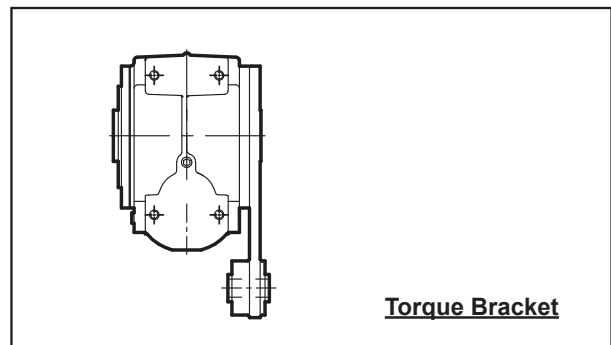
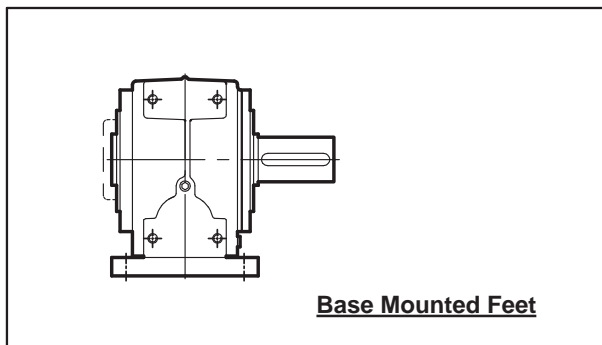
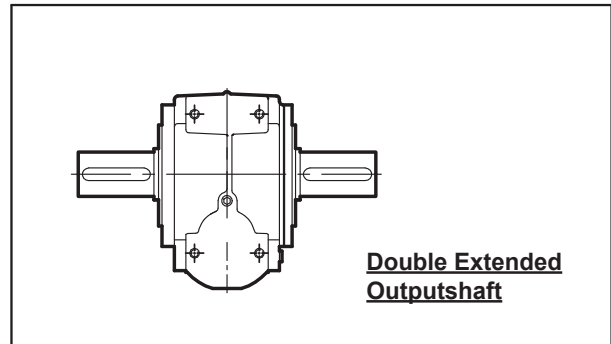
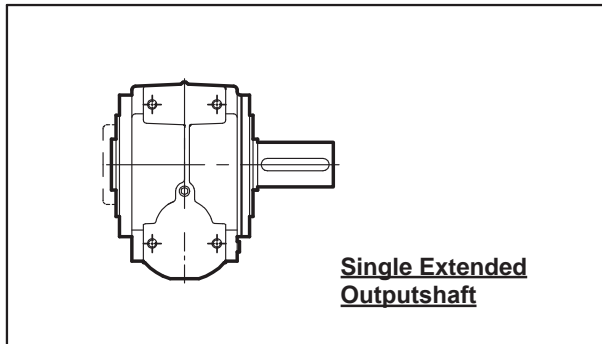
C0741 - C0841

| Size | C0341 | | | | C0441 | | | C0541 | | | C0641 | | | C0741 | | |
|---------|-------|-----|-----|----|-------|-----|----|-------|-----|----|-------|-----|----|-------|-----|-----|
| | g | k1 | k0 | q | k1 | k0 | q | k1 | k0 | q | k1 | k0 | q | k1 | k0 | q |
| 0.25 kW | 140 | 349 | 230 | 54 | 369 | 230 | 64 | 388 | 230 | 68 | 461 | 230 | 90 | 566 | 230 | 143 |
| 0.37 kW | 140 | 349 | 230 | 54 | 369 | 230 | 64 | 388 | 230 | 68 | 461 | 230 | 90 | 566 | 230 | 143 |
| 0.55 kW | 160 | 349 | 280 | 54 | 369 | 280 | 64 | 388 | 280 | 68 | 461 | 280 | 90 | 566 | 280 | 143 |
| 0.75 kW | 160 | 349 | 300 | 54 | 369 | 300 | 64 | 388 | 300 | 68 | 461 | 300 | 90 | 566 | 300 | 143 |

| Size | C0841 | | | | C0941 | | | C1041 | | |
|---------|-------|-----|-----|-----|-------|-----|-----|-------|-----|-----|
| | g | k1 | k0 | q | k1 | k0 | q | k1 | k0 | q |
| 0.55 kW | 160 | 668 | 265 | 168 | 751 | 265 | 195 | - | - | - |
| 0.75 kW | 160 | 668 | 285 | 168 | 751 | 285 | 195 | - | - | - |
| 1.1 kW | 180 | 668 | 315 | 168 | 751 | 315 | 195 | 882 | 300 | 235 |
| 1.5 kW | 180 | 668 | 350 | 168 | 751 | 350 | 195 | 882 | 335 | 235 |
| 2.2 kW | 200 | 668 | 355 | 168 | 751 | 355 | 195 | 882 | 340 | 235 |
| 3.0 kW | 200 | 668 | 365 | 168 | 751 | 365 | 195 | 882 | 350 | 235 |
| 4.0 kW | 225 | 668 | 424 | 168 | 751 | 424 | 195 | 882 | 410 | 235 |
| 5.5 kW | 260 | 668 | 495 | 168 | 751 | 495 | 195 | 882 | 480 | 235 |
| 7.5 kW | - | - | - | - | - | - | - | 882 | 480 | 235 |

SERIES C

GEAR UNIT OPTIONS

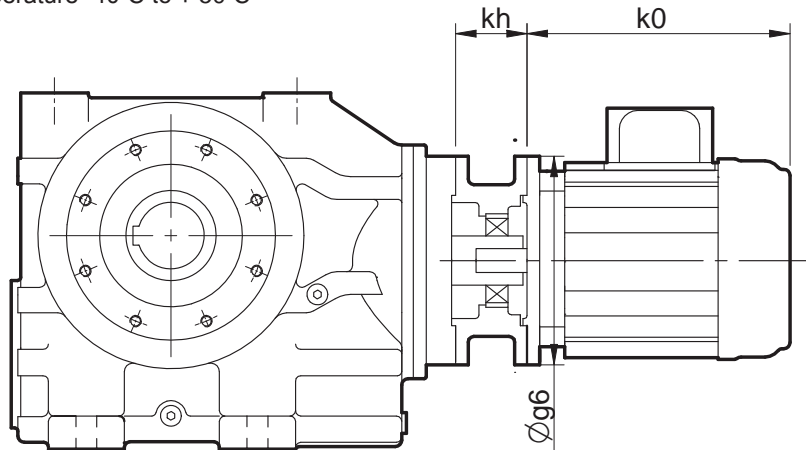


SERIES C

MOTORISED BACKSTOP MODULE

Motorised backstop modules can be fitted between the gear unit and motor. The backstop device incorporates high quality centrifugal lift off sprags which are wear free above the lift off speed (n min). To ensure correct operation motor speed must exceed lift off speed.

Suitable for ambient temperature -40°C to + 50°C



Warning

Removal of motor or backstop will release the drive. Ensure all driven machinery is secure prior to any maintenance work

IEC B5 FLANGE

| Motor Frame Size | Lift off Speed ('n' min) (rev/min) | Rated Locking Torque ('T max') (at motor) (Nm) | øg6 | kh |
|------------------|------------------------------------|--|-----|-----|
| 100 | 670 | 170 | 250 | 70 |
| 112 | 670 | 170 | 250 | 70 |
| 132 | 620 | 940 | 300 | 95 |
| 160 | 620 | 940 | 350 | 130 |
| 180 | 620 | 940 | 350 | 130 |
| 200 | 550 | 1260 | 400 | 130 |

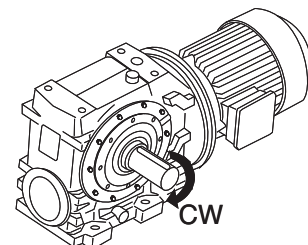
NEMA C FLANGE

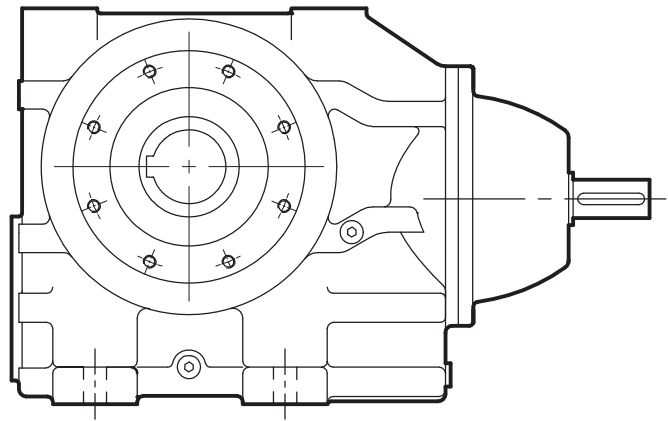
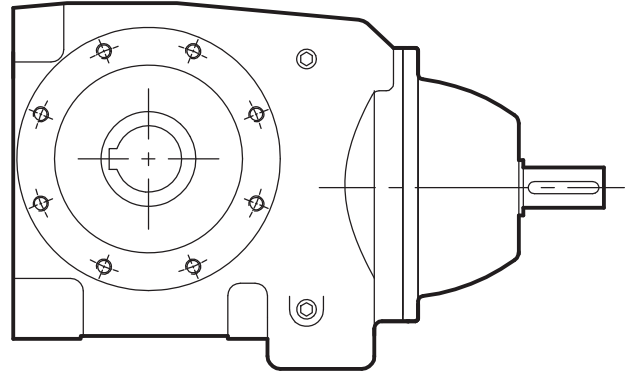
| Motor Frame Size | Lift off Speed ('n' min) (rev/min) | Rated Locking Torque ('T max') (at motor) (Nm) | øg6 | kh |
|------------------|------------------------------------|--|-----|--------|
| 182TC / 184TC | 670 | 300 | 228 | 95.25 |
| 213TC / 215TC | 670 | 300 | 228 | 95.25 |
| 254TC / 256TC | 620 | 940 | 228 | 120.65 |
| 284TC / 286TC | 620 | 940 | 280 | 136.50 |
| 324TC / 326TC | 550 | 1260 | 330 | 152.40 |

When a backstop module is fitted dimension kh should be added to the overall length of the geared motor assembly.

Rotation of outputshaft must be specified when ordering as viewed from the outputshaft end (as shown in the diagram)

- | | | | | |
|----|---|---------------|---|---------------|
| CW | - | Free Rotation | - | Clockwise |
| | | Locked | | Anticlockwise |
| AC | - | Free Rotation | - | Anticlockwise |
| | | Locked | | Clockwise |





REDUCER

SERIES C

SERIES C

OVERHUNG & AXIAL LOADS (NEWTONS) ON SHAFTS

Maximum permissible overhung loads

When a sprocket, gear etc. is mounted on the shaft a calculation, as below, must be made to determine the overhung load on the shaft, and the results compared to the maximum permissible overhung loads tabulated. Overhung loads can be reduced by increasing the diameter of the sprocket, gear, etc. If the maximum permissible overhung load is exceeded, the sprocket, gear, etc. should be mounted on a separate shaft, flexibly coupled and supported in its own bearings, or the gear unit shaft should be extended to run in an outboard bearing. Alternatively, a larger gear is often a less expensive solution.

Permissible overhung loads vary according to the direction of rotation. The values tabulated are for the most unfavourable direction with the unit transmitting full rated power and the load P applied midway along the shaft extension. Hence they can sometimes be increased for a more favourable direction of rotation, or if the power transmitted is less than the rated capacity of the gear unit, or if the load is applied nearer to the gear unit case. Refer to our Application Engineers for further details. In any event, the sprocket, gear etc. should be positioned as close as possible to the gear unit case in order to reduce bearing loads and shaft stresses, and to prolong life. All units will accept 100% momentary overload on stated capacities.

Overhung load (Newtons)

$$P = \frac{kW \times 9,500,000 \times K}{N \times R}$$

where

- P = equivalent overhung load (Newtons)
 kW = power transmitted by the shaft (kilowatts)
 N = speed of shaft (rpm)
 R = pitch radius of sprocket, etc. (mm)
 K = factor

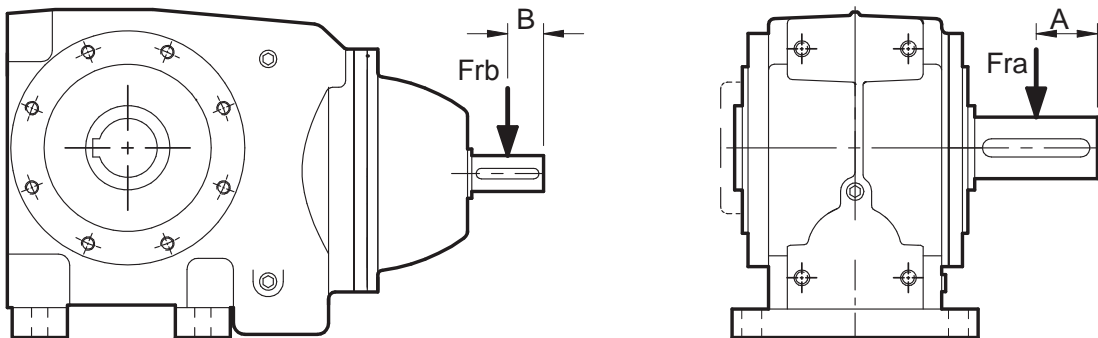
1 Newton = 0.10197kG (0.2248 lbs)

Overhung load

K (factor)

| | |
|------------------------|------|
| Chain sprocket* | 1.00 |
| Spur or helical pinion | 1.25 |
| Vee belt sheave | 1.50 |
| Flat belt pulley | 2.00 |

* If multistrand chain drives are equally loaded and the outer strand is further than dimension A output or B input, refer to our Application Engineers.



Distance midway along the shaft extension

| Size of unit | No. of Reductions | Dimension A (mm) | Dimension B (mm) |
|--------------|-------------------|------------------|------------------|
| C03 | 2 - 3 | 17.5 | 20 |
| C04 | 2 - 3 | 23 | 20 |
| C05 | 2 - 3 | 30 | 20 |
| C06 | 2 - 5 | 31.5 | 20 |
| C07 | 2 | 38 | 25 |
| C07 | 3 - 5 | 38 | 20 |
| C08 | 2 | 60 | 30 |
| C08 | 4 - 5 | 60 | 20 |
| C09 | 2 | 67.5 | 40 |
| C09 | 4 - 5 | 67.5 | 20 |
| C10 | 2 | 85 | 55 |
| C10 | 4 | 85 | 25 |
| C10 | 5 | 85 | 20 |

Inputshaft Overhung Loads. Frb (Kn) 1450 rpm - Two Three and Four Stage Units

| | C03 | C04 | C05 | C06 | C07 | C08 | C09 | C10 |
|---------|------|------|------|------|------|------|------|------|
| 2 Stage | 1.50 | 1.50 | 1.25 | 1.05 | 2.1 | 3.1 | 3.5 | 4.5 |
| 4 Stage | 1.50 | 1.50 | 1.50 | 1.50 | 1.50 | 1.50 | 1.50 | 1.80 |

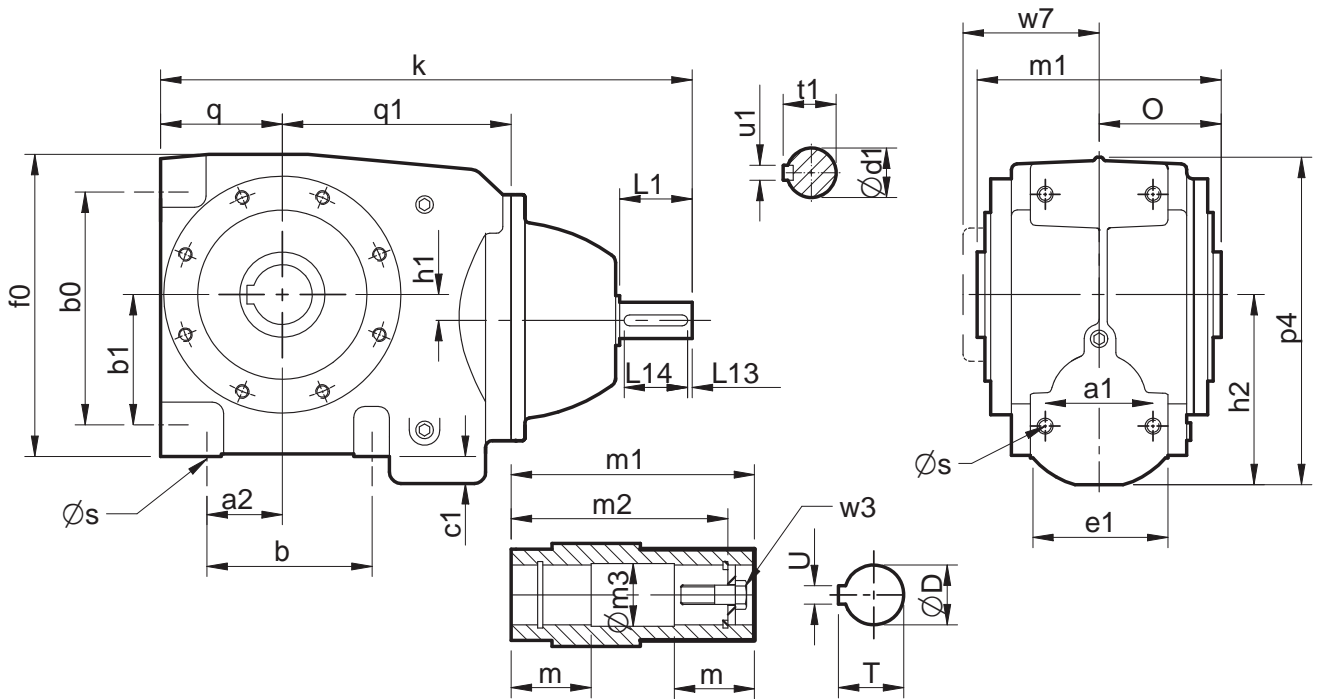
For output overhung load Fra consult ratings tables.

Axial Thrust Capacities (Newtons) No check or calculation is required for axial loads (FA) towards or away from the unit up to 50% of the permissible overhung load. If the axial thrust considerably exceeds these values or if there is a combination of axial thrust loads and overhung loads please contact our Application Engineers.

SERIES C

DIMENSIONS

DOUBLE REDUCTION



| Size | a1 | a2 | b | b0 | b1 | c1 | e1 | f0 | h1 | h2 | o |
|-------|----|----|-----|-----|----|----|-----|-----|-----|-------|----|
| C0321 | 54 | 35 | 63 | 80 | 40 | 9 | 70 | 139 | 5.3 | 79.5 | 62 |
| C0421 | 56 | 35 | 80 | 118 | 65 | 7 | 80 | 158 | 15 | 93 | 65 |
| C0521 | 68 | 45 | 100 | 142 | 77 | 16 | 86 | 177 | 13 | 112 | 70 |
| C0621 | 80 | 56 | 122 | 172 | 96 | 20 | 102 | 218 | 17 | 139.5 | 90 |

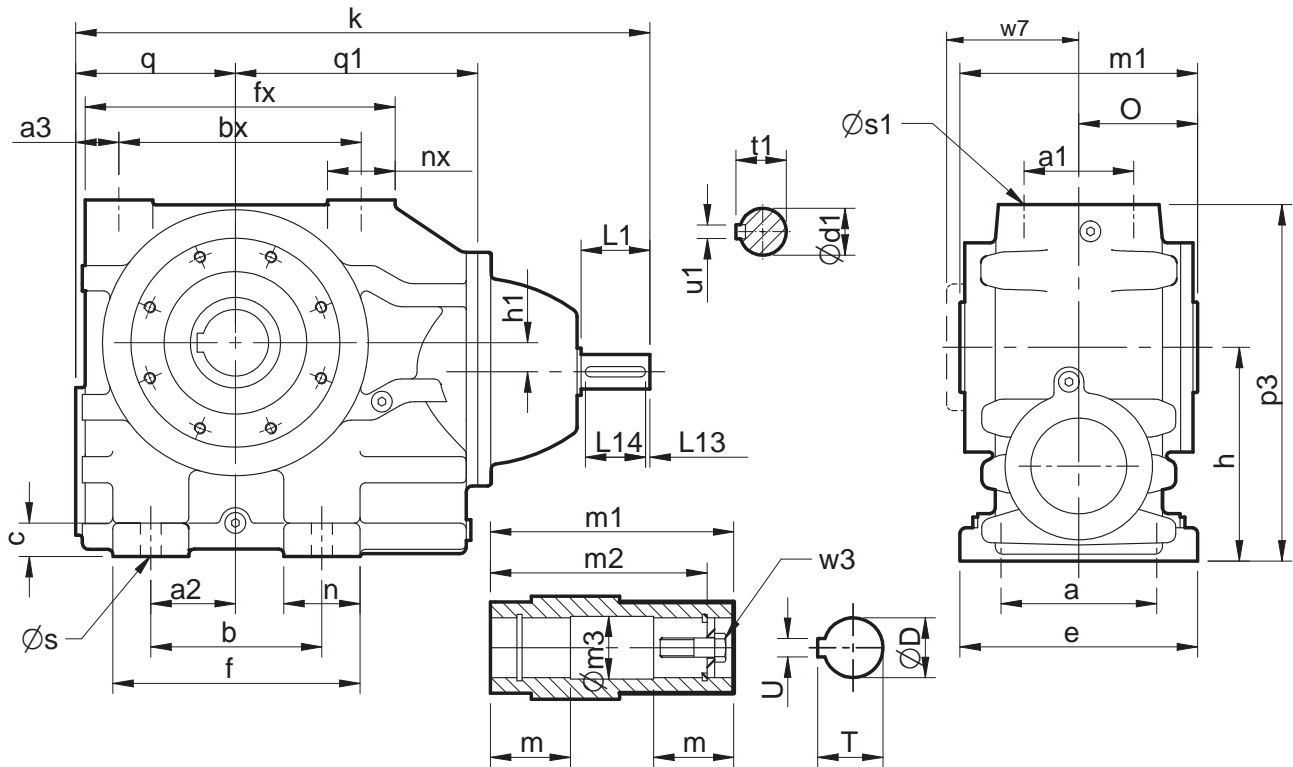
| Size | p4 | q | q1 | s | w7 | k |
|-------|-----|----|-----|----------------|------|-----|
| C0321 | 148 | 54 | 109 | M8 x1.25 x 15 | 70 | 274 |
| C0421 | 168 | 64 | 119 | M10 x1.5 x 20 | 74.5 | 294 |
| C0521 | 200 | 68 | 134 | M10 x1.5 x 18 | 79 | 313 |
| C0621 | 243 | 90 | 169 | M12 x1.75 x 20 | 101 | 370 |

| Size | d1 | L1 | L13 | L14 | t1 | u1 | D | m | m1 | m2 | m3 | T | U | w3 |
|-------|-------|----|-----|-----|------|----|----|----|-----|-----|------|------|----|---------------|
| C0321 | 16 k6 | 40 | 4 | 32 | 18 | 5 | 20 | 52 | 124 | 104 | 20.2 | 22.9 | 6 | M6x1.0 x 40 |
| C0421 | 16 k6 | 40 | 4 | 32 | 18 | 5 | 30 | 54 | 130 | 122 | 30.2 | 33.5 | 8 | M10x1.5 x 50 |
| C0521 | 16 k6 | 40 | 4 | 32 | 18 | 5 | 35 | 56 | 140 | 127 | 35.3 | 38.5 | 10 | M12x1.75 x 55 |
| C0621 | 19 k6 | 40 | 4 | 32 | 21.5 | 6 | 45 | 70 | 180 | 156 | 45.3 | 49 | 14 | M16x2.0 x 70 |

SERIES C

DIMENSIONS

DOUBLE REDUCTION



| Size | a | a1 | a | a3 | b2 | bx | c | e | f | fx | h | h1 | n | nx | o |
|-------|-----|-----|-----|------|-----|-----|----|-----|-----|-----|-----|----|-----|-----|-----|
| C0721 | 150 | 100 | 75 | 35,5 | 135 | 215 | 28 | 185 | 202 | 280 | 180 | 26 | 67 | 63 | 109 |
| C0821 | 200 | 120 | 92 | 43 | 180 | 250 | 35 | 250 | 260 | 326 | 225 | 28 | 80 | 71 | 125 |
| C0921 | 250 | 135 | 115 | 50 | 235 | 290 | 40 | 305 | 320 | 380 | 280 | 40 | 85 | 85 | 150 |
| C1021 | 300 | 150 | 170 | 62,5 | 310 | 345 | 45 | 360 | 420 | 460 | 335 | 65 | 110 | 107 | 175 |

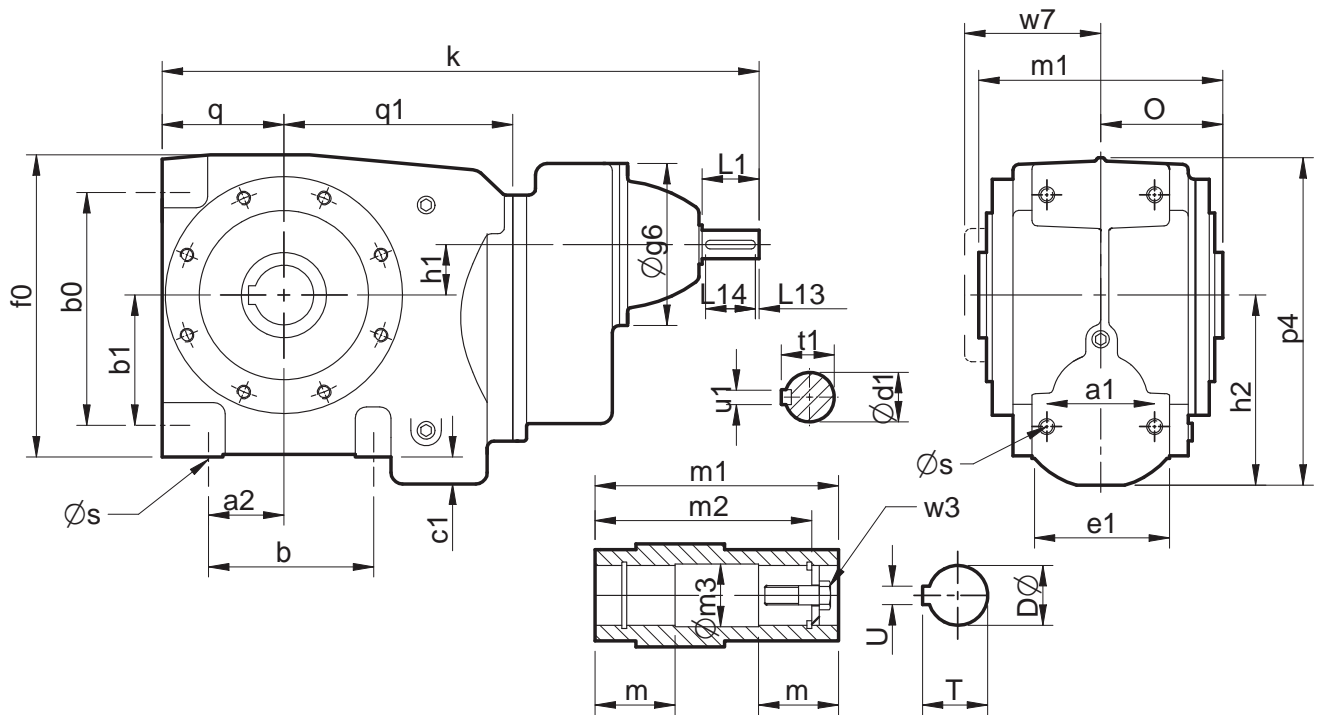
| Size | p4 | q | q1 | s | s1 | w7 | k |
|-------|-----|-----|-----|----|----------------|-----|-----|
| C0721 | 302 | 143 | 220 | 18 | M20 x 2,5 x 34 | 125 | 478 |
| C0821 | 375 | 168 | 255 | 22 | M20 x 2,5 x 34 | 143 | 583 |
| C0921 | 457 | 195 | 300 | 26 | M24 x 3.0 x 45 | 169 | 690 |
| C1021 | 565 | 235 | 355 | 26 | M24 x 3.0 x 45 | 198 | 823 |

| Size | d1 | L1 | L13 | L14 | t1 | u1 | D | m | m1 | m2 | m3 | T | U | w3 |
|-------|-------|-----|-----|-----|----|----|-----|-------|-----|-----|-------|-------|----|-----------------|
| C0721 | 24 k6 | 50 | 5 | 40 | 27 | 8 | 60 | 79 | 218 | 188 | 60,5 | 64,6 | 18 | M20 x 2,5 x 80 |
| C0821 | 28 k6 | 60 | 5 | 50 | 31 | 8 | 70 | 90 | 250 | 220 | 70,5 | 75,1 | 20 | M20 x 2,5 x 80 |
| C0921 | 38 k6 | 80 | 5 | 70 | 41 | 10 | 90 | 107,5 | 300 | 265 | 90,5 | 95,6 | 25 | M24 x 3,0 x 110 |
| C1021 | 42 k6 | 110 | 10 | 70 | 45 | 12 | 100 | 132,5 | 350 | 313 | 100,5 | 106,6 | 28 | M24 x 3,0 x 110 |

SERIES C

DIMENSIONS

TRIPLE REDUCTION



| Size | a1 | a2 | b | b0 | b1 | c1 | e1 | f0 | h1 | h2 | k | o |
|-------|----|----|-----|-----|-----|----|-----|-----|-------|-------|-----|----|
| C0331 | 54 | 35 | 63 | 80 | 40 | 9 | 70 | 139 | 30.75 | 79.5 | 330 | 62 |
| C0431 | 56 | 35 | 80 | 118 | 65 | 7 | 80 | 158 | 21.2 | 93 | 350 | 65 |
| C0531 | 68 | 46 | 100 | 14 | 277 | 16 | 86 | 177 | 23 | 11 | 369 | 70 |
| C0631 | 80 | 56 | 122 | 172 | 96 | 20 | 102 | 218 | 30 | 139.5 | 436 | 90 |

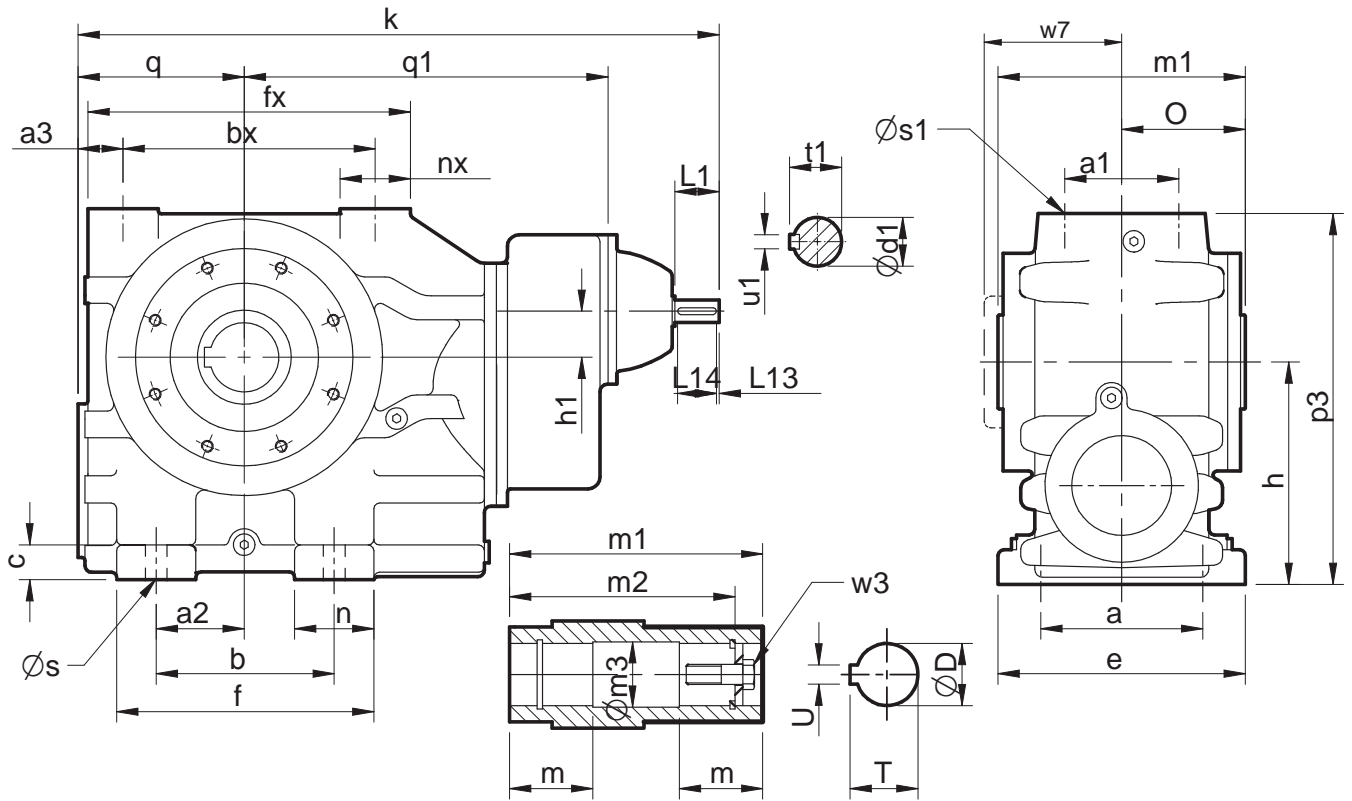
| Size | p4 | q | q1 | s | w7 |
|-------|-----|----|-----|-----------------|------|
| C0331 | 148 | 54 | 109 | M8 x 1.25 x 15 | 70 |
| C0431 | 168 | 64 | 119 | M10 x 1.5 x 18 | 74.5 |
| C0531 | 200 | 68 | 134 | M10 x 1.5 x 18 | 79 |
| C0631 | 243 | 90 | 169 | M12 x 1.75 x 20 | 101 |

| Size | d1 | L1 | L13 | L14 | t1 | u1 | D | m | m1 | m2 | m3 | T | U | w3 |
|-------|-------|----|-----|-----|------|----|----|----|-----|-----|------|------|----|-----------------|
| C0321 | 16 k6 | 40 | 4 | 32 | 18 | 5 | 20 | 52 | 124 | 104 | 20.2 | 22.9 | 6 | M6 x 1.0 x 40 |
| C0421 | 16 k6 | 40 | 4 | 32 | 18 | 5 | 30 | 54 | 130 | 122 | 30.2 | 33.5 | 8 | M10 x 1.5 x 50 |
| C0521 | 16 k6 | 40 | 4 | 32 | 18 | 5 | 35 | 56 | 140 | 127 | 35.3 | 38.5 | 10 | M12 x 1.75 x 55 |
| C0621 | 19 k6 | 40 | 4 | 32 | 21.5 | 6 | 45 | 70 | 180 | 156 | 45.3 | 49 | 14 | M16 x 2.0 x 70 |

SERIES C

DIMENSIONS

TRIPLE REDUCTION



| Size | a | a1 | a2 | a3 | b | bx | c | e | f | fx | h | h1 | k | n | nx | o | p3 | q | q1 |
|-------|-----|-----|----|------|-----|-----|----|-----|-----|-----|-----|----|-----|----|----|-----|-----|-----|-----|
| C0731 | 150 | 100 | 75 | 35.5 | 135 | 215 | 28 | 185 | 202 | 280 | 180 | 34 | 560 | 67 | 63 | 109 | 302 | 143 | 220 |

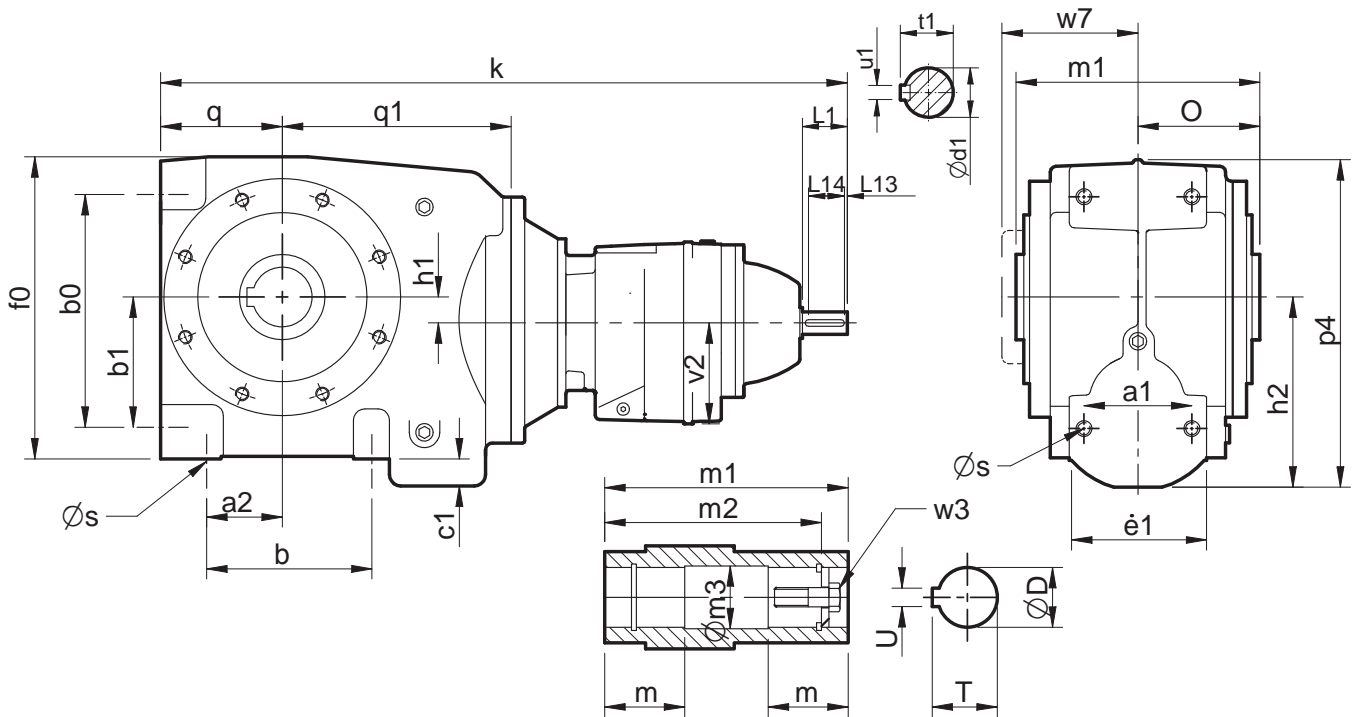
| Size | p3 | q | q1 | s | s1 | w7 | g6 |
|-------|-----|-----|-----|----|---------------|-----|-----|
| C0731 | 302 | 143 | 220 | 18 | M20 x 2.5 x34 | 125 | 212 |

| Size | d1 | L1 | L13 | L14 | t | u1 | D | m | m1 | m2 | m3 | T | U | w3 |
|-------|-------|----|-----|-----|----|----|----|----|-----|-----|------|------|----|----------------|
| C0731 | 24 k6 | 50 | 5 | 40 | 27 | 8 | 60 | 79 | 218 | 188 | 60.5 | 64.6 | 18 | M20 x 2.5 x 80 |

SERIES C

DIMENSIONS

QUADRUPLE REDUCTION



| Size | a1 | a2 | b | b0 | b1 | c1 | e1 | f0 | h1 | h2 | o |
|-------|----|----|-----|-----|----|----|-----|-----|-----|-------|----|
| C0341 | 54 | 35 | 63 | 80 | 40 | 9 | 70 | 139 | 5.3 | 79.5 | 62 |
| C0441 | 56 | 35 | 80 | 118 | 65 | 7 | 80 | 158 | 15 | 93 | 65 |
| C0541 | 68 | 45 | 100 | 142 | 77 | 16 | 86 | 177 | 13 | 112 | 70 |
| C0641 | 80 | 56 | 122 | 172 | 96 | 20 | 102 | 218 | 17 | 139.5 | 90 |

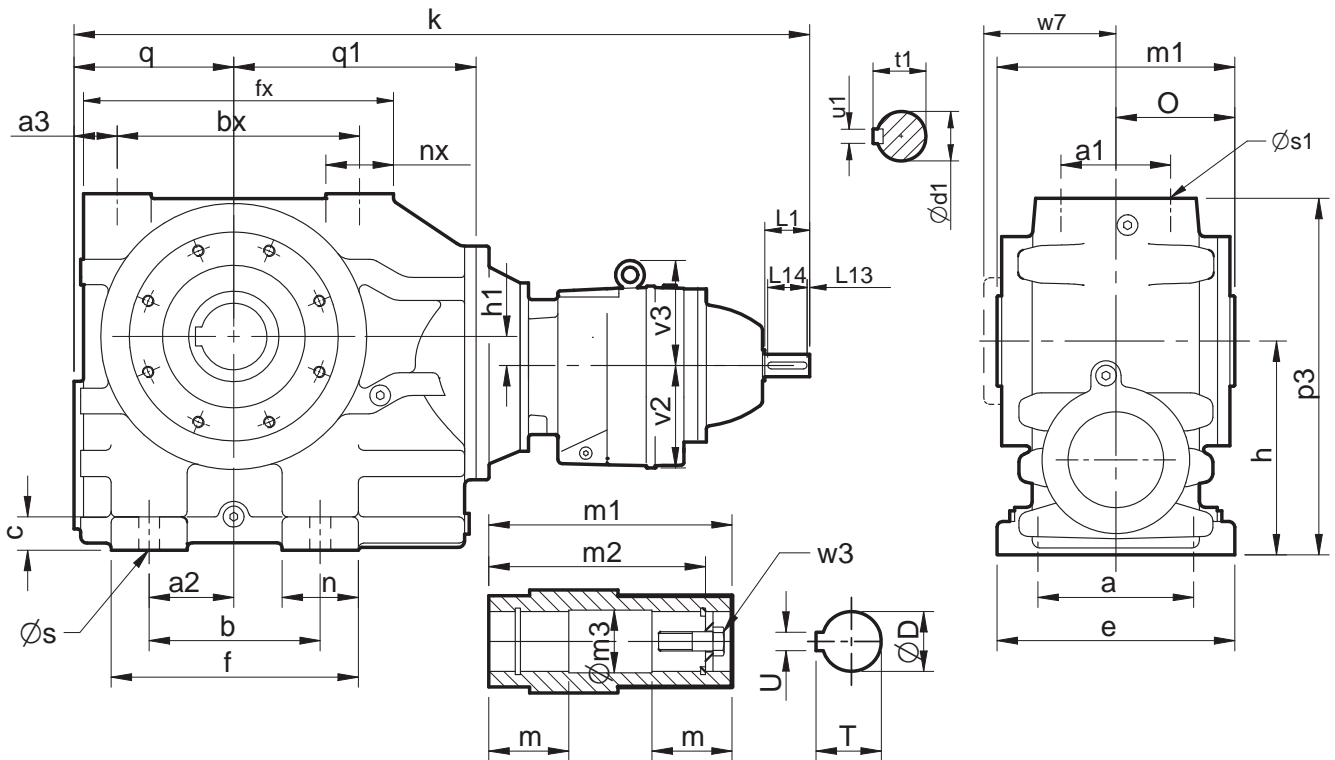
| Size | p4 | q | q1 | s | v2 | w7 | k |
|-------|-----|----|-----|----------------|----|------|-----|
| C0341 | 148 | 54 | 109 | M8 x1.25 x 15 | 76 | 70 | 460 |
| C0441 | 168 | 64 | 119 | M10 x1.5 x 20 | 76 | 74.5 | 480 |
| C0541 | 200 | 68 | 134 | M10 x1.5 x 18 | 76 | 79 | 499 |
| C0641 | 243 | 90 | 169 | M12 x1.75 x 20 | 91 | 101 | 572 |

| Size | d1 | L1 | L13 | L14 | t1 | u1 | D | m | m1 | m2 | m3 | T | U | w3 |
|-------|-------|----|-----|-----|----|----|----|----|-----|-----|------|------|----|----------------|
| C0341 | 16 k6 | 40 | 4 | 32 | 18 | 5 | 20 | 52 | 124 | 104 | 20.2 | 22.9 | 6 | M6 x1.0 x 40 |
| C0441 | 16 k6 | 40 | 4 | 32 | 18 | 5 | 30 | 54 | 130 | 122 | 30.2 | 33.5 | 8 | M10 x1.5 x 50 |
| C0541 | 16 k6 | 40 | 4 | 32 | 18 | 5 | 35 | 56 | 140 | 127 | 35.3 | 38.5 | 10 | M12 x1.75 x 55 |
| C0641 | 16 k6 | 40 | 4 | 32 | 18 | 5 | 45 | 70 | 180 | 156 | 45.3 | 49 | 14 | M16 x2.0 x 70 |

SERIES C

DIMENSIONS

QUADRUPLE REDUCTION



| Size | a | a1 | a2 | a3 | b | bx | c | e | f | fx | h | h1 | n | nx | o |
|-------|-----|-----|-----|------|-----|-----|----|-----|-----|-----|-----|----|-----|-----|-----|
| C0741 | 150 | 100 | 75 | 35.5 | 135 | 215 | 28 | 185 | 202 | 280 | 180 | 26 | 67 | 63 | 109 |
| C0841 | 200 | 120 | 92 | 43 | 180 | 250 | 35 | 250 | 260 | 326 | 225 | 28 | 80 | 71 | 125 |
| C0941 | 250 | 135 | 115 | 50 | 235 | 290 | 40 | 305 | 320 | 380 | 280 | 40 | 85 | 85 | 150 |
| C1041 | 300 | 150 | 170 | 62.5 | 310 | 345 | 45 | 360 | 420 | 460 | 335 | 65 | 110 | 107 | 175 |

| Size | p3 | q | q1 | s | s1 | v2 | v3 | w7 | k |
|-------|-----|-----|-----|----|----------------|-----|-----|-----|-----|
| C0741 | 302 | 143 | 220 | 18 | M20 x 2.5 x 34 | 91 | - | 125 | 677 |
| C0841 | 375 | 168 | 255 | 22 | M20 x 2.5 x 34 | 115 | - | 143 | 779 |
| C0941 | 457 | 195 | 300 | 26 | M24 x 3.0 x 45 | 115 | - | 169 | 862 |
| C1041 | 565 | 235 | 355 | 26 | M24 x 3.0 x 45 | 140 | 155 | 198 | 997 |

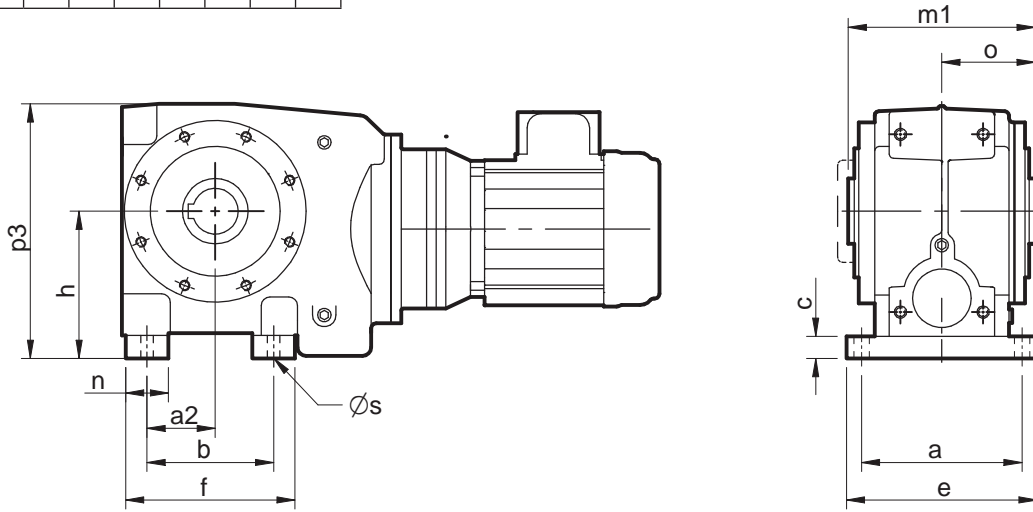
| Size | d1 | L1 | L13 | L14 | t1 | u1 | D | m | m1 | m2 | m3 | T | U | w3 |
|-------|-------|----|-----|-----|------|----|-----|-------|-----|-----|-------|-------|----|-----------------|
| C0741 | 16 k6 | 40 | 4 | 32 | 18 | 5 | 60 | 79 | 218 | 188 | 60.5 | 64.6 | 18 | M20 x 2.5 x 80 |
| C0841 | 19 k6 | 40 | 4 | 32 | 21.5 | 6 | 70 | 90 | 250 | 220 | 70.5 | 75.1 | 20 | M20 x 2.5 x 80 |
| C0941 | 19 k6 | 40 | 4 | 32 | 21.5 | 6 | 90 | 107.5 | 300 | 265 | 90.5 | 95.6 | 25 | M24 x 3.0 x 110 |
| C1041 | 24 k6 | 50 | 5 | 40 | 27 | 8 | 100 | 132.5 | 350 | 313 | 100.5 | 106.6 | 28 | M24 x 3.0 x 110 |

SERIES C

DIMENSIONS - FEET

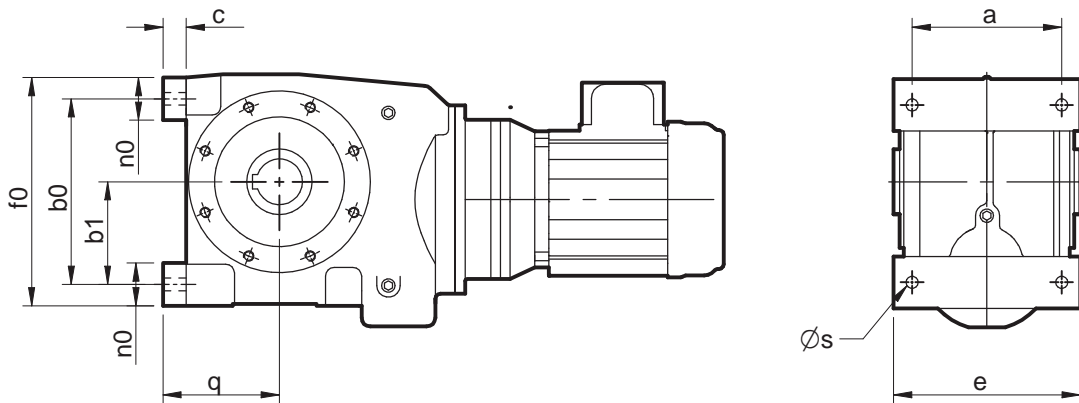
C 0 2 B R

STANDARD UNIT WITH BASE MOUNTED FEET



C 0 2 E R

STANDARD UNIT WITH END MOUNTED FEET

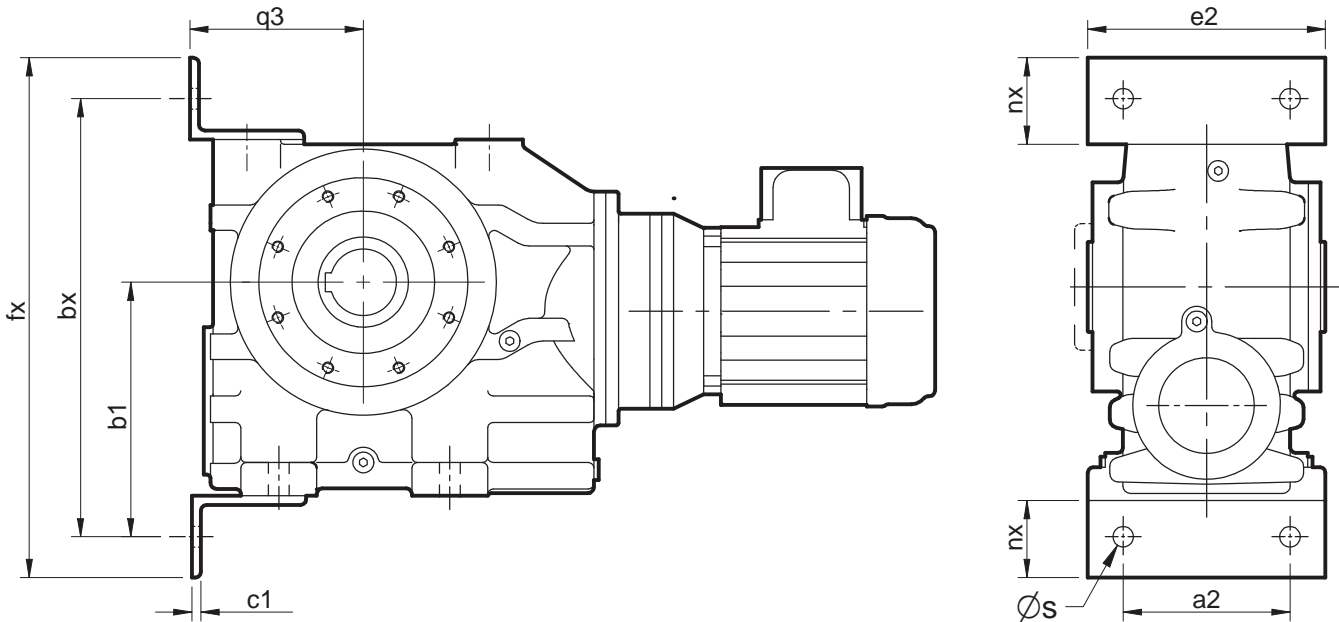


| Size | a | b | b0 | b1 | c | e | f | f0 | h | n | n0 | p3 | q | q2 | s |
|------|-----|-----|-----|-----|----|-----|-----|-----|-----|----|----|-----|-----|----|----|
| C03 | 90 | 63 | 80 | 40 | 9 | 110 | 88 | 105 | 80 | 25 | 25 | 148 | 63 | 35 | 9 |
| C04 | 100 | 80 | 118 | 65 | 14 | 124 | 115 | 153 | 100 | 35 | 35 | 175 | 78 | 35 | 11 |
| C05 | 110 | 100 | 142 | 77 | 16 | 136 | 140 | 182 | 112 | 40 | 40 | 200 | 84 | 45 | 11 |
| C06 | 130 | 130 | 180 | 100 | 20 | 160 | 172 | 222 | 140 | 50 | 50 | 243 | 110 | 60 | 14 |

SERIES C

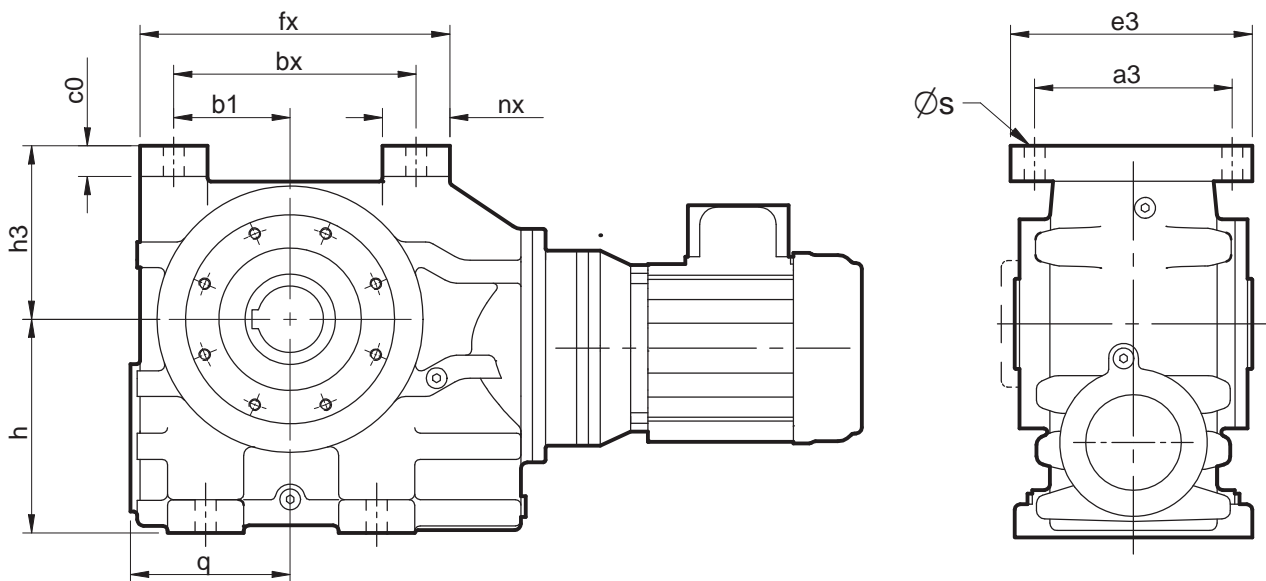
DIMENSIONS - FEET

C **E R** **STANDARD UNIT WITH END MOUNTED FEET**



| Size | a2 | bx | b1 | c1 | e2 | fx | nx | q3 | s |
|------|-----|-----|-----|----|-----|-----|----|-----|----|
| C07 | 170 | 392 | 225 | 12 | 220 | 452 | 75 | 162 | 22 |
| C08 | 200 | 465 | 270 | 12 | 250 | 525 | 75 | 187 | 22 |
| C09 | 250 | 557 | 330 | 15 | 305 | 637 | 90 | 220 | 26 |
| C10 | 300 | 665 | 385 | 15 | 360 | 745 | 90 | 260 | 26 |

C **R R** **STANDARD UNIT WITH TOP MOUNTED FEET**



| Size | a3 | b1 | bx | co | e3 | fx | h | h3 | nx | q | s |
|------|-----|-------|-----|----|-----|-----|-----|-----|-----|-----|----|
| C07 | 205 | 107.5 | 215 | 28 | 256 | 278 | 180 | 150 | 63 | 143 | 24 |
| C08 | 225 | 125 | 250 | 30 | 280 | 320 | 225 | 180 | 70 | 168 | 24 |
| C09 | 240 | 145 | 290 | 35 | 300 | 370 | 280 | 212 | 80 | 195 | 28 |
| C10 | 265 | 172.5 | 345 | 35 | 330 | 445 | 335 | 265 | 100 | 235 | 28 |

SERIES C

THERMAL POWER RATING

Thermal Ratings kW

Thermal ratings are a measure of the units ability to dissipate heat, if they are exceeded the lubricant may break down resulting in premature gear failure.

The ratings listed below are true for horizontal mounting position 1 running continuously with an ambient temperature equal to 20°C. For other mounting positions, ambients and units operating intermittently multiply thermal power ratings by factors Ft, Fp and Fd as appropriate.

Table 1 Thermal Power (kW)

| Overall ratios | Input rpm | C03 | C04 | C05 | C06 | C07 | C08 | C09 | C10 |
|----------------|-----------|------|------|------|------|-----------------------------------|------|------|------|
| 8 - 14 | 2900 | 2.80 | 3.85 | 4.69 | 5.1 | Consult our Application engineers | | | |
| | 1750 | 1.98 | 3.26 | 4.85 | 5.27 | | | | |
| | 1450 | 1.73 | 2.85 | 4.41 | 4.46 | 5.71 | 9.53 | 18.2 | 32.5 |
| | 1160 | 1.45 | 2.40 | 3.89 | 3.91 | 5.71 | 9.53 | 11.5 | 27.7 |
| | 960 | 1.24 | 2.10 | 3.45 | 3.50 | 5.71 | 9.53 | 11.2 | 24.6 |
| | 725 | 1.07 | 1.69 | 2.70 | 2.79 | 5.31 | 9.02 | 10.0 | 20.6 |
| | 480 | 0.74 | 1.22 | 1.93 | 1.99 | 4.11 | 7.12 | 9.85 | 14.6 |
| 16 - 28 | 2900 | 1.70 | 2.76 | 3.07 | 3.73 | Consult our Application engineers | | | |
| | 1750 | 1.28 | 2.03 | 3.48 | 3.53 | | | | |
| | 1450 | 1.09 | 1.62 | 3.18 | 3.20 | 4.95 | 7.41 | 12.9 | 19.4 |
| | 1160 | 0.92 | 1.37 | 2.78 | 2.80 | 4.81 | 7.27 | 11.8 | 17.0 |
| | 960 | 0.83 | 1.26 | 2.45 | 2.49 | 4.48 | 6.91 | 10.7 | 14.9 |
| | 725 | 0.67 | 0.96 | 1.97 | 2.02 | 3.96 | 6.91 | 8.71 | 12.4 |
| | 480 | 0.47 | 0.66 | 1.64 | 1.66 | 2.90 | 4.87 | 6.50 | 8.78 |
| > 28 | 2900 | 1.22 | 2.15 | 3.20 | 4.41 | 7.26 | 9.64 | 18.6 | 36.1 |
| | 1750 | 0.84 | 1.44 | 2.35 | 3.70 | 5.44 | 7.35 | 13.0 | 23.3 |
| | 1450 | 0.69 | 1.15 | 2.05 | 3.26 | 4.88 | 7.32 | 11.6 | 20.1 |
| | 1160 | 0.57 | 0.95 | 1.72 | 2.79 | 4.44 | 7.06 | 10.9 | 16.6 |
| | 960 | 0.51 | 0.85 | 1.55 | 2.43 | 3.97 | 6.47 | 8.76 | 14.1 |
| | 725 | 0.40 | 0.66 | 1.18 | 1.78 | 3.53 | 5.15 | 7.25 | 11.0 |
| | 480 | 0.33 | 0.45 | 0.87 | 1.28 | 2.50 | 3.70 | 5.37 | 7.53 |
| | 250 | 0.18 | 0.30 | 0.54 | 0.70 | 1.33 | 2.25 | 2.97 | 4.07 |

Table 2. Thermal service factor Ft

Thermal service factor for ambient temperature

| Ambient temperature | -30 | -20 | -10 | 0 | 10 | 20 | 30 | 40 | 50 |
|---------------------|------|------|------|------|------|-----|------|------|------|
| Factor | 1.68 | 1.55 | 1.41 | 1.27 | 1.14 | 1.0 | 0.84 | 0.68 | 0.50 |

Table 3. Thermal service factor Fp

Thermal service factor for mounting positions

| Unit Output Speed (Rev/min) | Mounting Position | | | | | |
|-----------------------------|-------------------|-------|-------|-------|-------|--|
| | 1 | 2 & 3 | 4 | 5 | 6 | |
| 0 to 25 | 1.00 | 0.997 | 0.996 | 0.995 | 0.993 | |
| >25 to 50 | 1.00 | 0.993 | 0.990 | 0.986 | 0.982 | |
| >50 to 75 | 1.00 | 0.987 | 0.981 | 0.974 | 0.968 | |
| >75 to 100 | 1.00 | 0.980 | 0.970 | 0.960 | 0.950 | |
| >100 to 200 | 1.00 | 0.943 | 0.914 | 0.886 | 0.858 | |
| >200 to 300 | 1.00 | 0.896 | 0.844 | 0.792 | 0.840 | |
| >300 to 400 | 1.00 | 0.840 | 0.760 | 0.680 | 0.600 | |
| >400 | 1.00 | 0.809 | 0.724 | 0.618 | 0.533 | |

Table 4. Thermal service factor Fd

Thermal service factor for duration of running

| Unit Output Speed (Rev/min) | % Running time per hour | | | | |
|-----------------------------|-------------------------|------|------|------|------|
| | 100 | 80 | 60 | 40 | 20 |
| 0 to 10 | 1.00 | 1.18 | 1.45 | 1.72 | 2.38 |
| >10 to 25 | 1.00 | 1.16 | 1.39 | 1.64 | 2.22 |
| >25 to 50 | 1.00 | 1.14 | 1.31 | 1.54 | 2.00 |
| >50 to 100 | 1.00 | 1.08 | 1.19 | 1.33 | 1.64 |
| >100 to 150 | 1.00 | 1.04 | 1.08 | 1.19 | 1.41 |
| >150 to 200 | 1.00 | 1.00 | 1.00 | 1.06 | 1.23 |
| >200 | 1.00 | 1.00 | 1.00 | 1.00 | 1.00 |

SERIES C

FAN COOLED UNITS

Table 5. Thermal Power (Kw) With Cooling Fan

| Overall ratios | Input RPM | C03 | C04 | C05 | C06 | C07 | C08 | C09 | C10 |
|----------------|-----------|-----|-----|-----|-----|-----------------------------------|------|------|------|
| 8 - 14 | 2900 | - | - | - | - | Consult our Application engineers | | | |
| | 1750 | - | - | - | - | | | | |
| | 1450 | - | - | - | - | 11,4 | 19,1 | 36,4 | 65,0 |
| | 1160 | - | - | - | - | 10,6 | 17,6 | 22,5 | 52,2 |
| | 960 | - | - | - | - | 10,0 | 16,7 | 19,6 | 43,0 |
| | 725 | - | - | - | - | 8,00 | 13,5 | 15,0 | 30,9 |
| >14 | 2900 | - | - | - | - | Consult our Application engineers | | | |
| | 1750 | - | - | - | - | | | | |
| | 1450 | - | - | - | - | 11,3 | 17,7 | 30,9 | 51,2 |
| | 1160 | - | - | - | - | 11,2 | 17,5 | 30,6 | 50,6 |
| | 960 | - | - | - | - | 9,90 | 14,8 | 25,8 | 38,8 |
| | 725 | - | - | - | - | 8,90 | 13,4 | 21,8 | 31,5 |
| | | | | | | 7,84 | 12,1 | 18,7 | 26,1 |

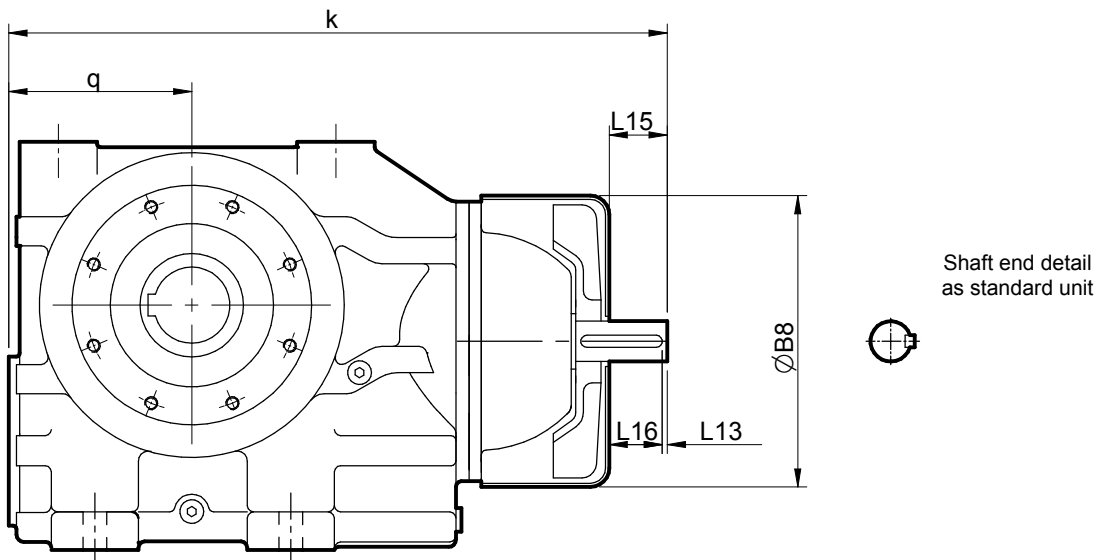
Note: When checking thermal capacities use actual load required to be transmitted, not rating of prime mover.

Column 10 Entry

For reducer fan kit modules enter S in column 10
 or if used in conjunction with a reducer backstop module kit

Y CW rotation
Z CCW rotation

Dimensions of Fan Cooled Units



| Size | $\varnothing B8$ | k | L13 | L15 | L16 | q |
|-------|------------------|-----|-----|-----|-----|-----|
| C0721 | 225 | 478 | 5 | 35 | 30 | 143 |
| C0821 | 265 | 583 | 5 | 45 | 40 | 168 |
| C0921 | 320 | 690 | 5 | 65 | 60 | 195 |
| C1021 | 380 | 823 | 10 | 95 | 85 | 235 |

SERIES C

REDUCER BACKSTOP MODULE

The reducer units listed below can be fitted with an internal backstop, this has no effect of the external unit size. The backstop device incorporates high quality centrifugal lift off sprags which are wear free above the lift off speed (n min). To ensure correct operation input speed must exceed lift off speed.

Suitable for ambient temperature -40°C to $+50^{\circ}\text{C}$

Column 10 Entry

For reducer fan kit modules enter

W

for CCW rotation (or

Z

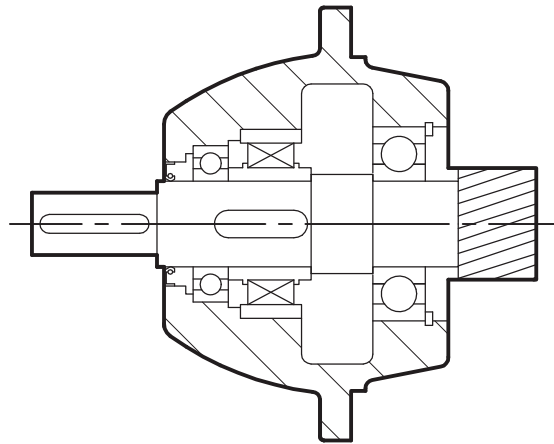
if used in conjunction with a fan kit)

X

for CW rotation (or

Y

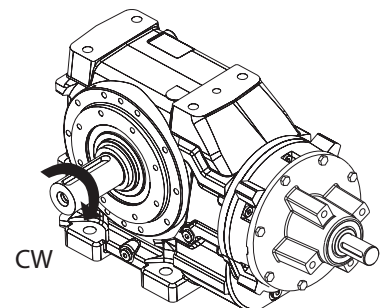
if used in conjunction with a fan kit)



| Size | Lift off speed ('n min) at inputshaft (rev/min) | Rated locking Torque ('T max') at inputshaft (Nm) |
|--------------------------|---|---|
| C0622/C0842/C0941 | 800 | 100 |
| C0722/C1041 | 670 | 170 |
| C0822 | 670 | 300 |
| C0921 | 620 | 940 |
| C1021 | 550 | 1260 |

Rotation of outputshaft must be specified when ordering as viewed from the outputshaft end (as shown in the diagram)

| | | | | |
|----|---|---------------|---|---------------|
| CW | - | Free Rotation | - | Clockwise |
| | | Locked | - | Anticlockwise |
| AC | - | Free Rotation | - | Anticlockwise |
| | | Locked | - | Clockwise |



SERIES C

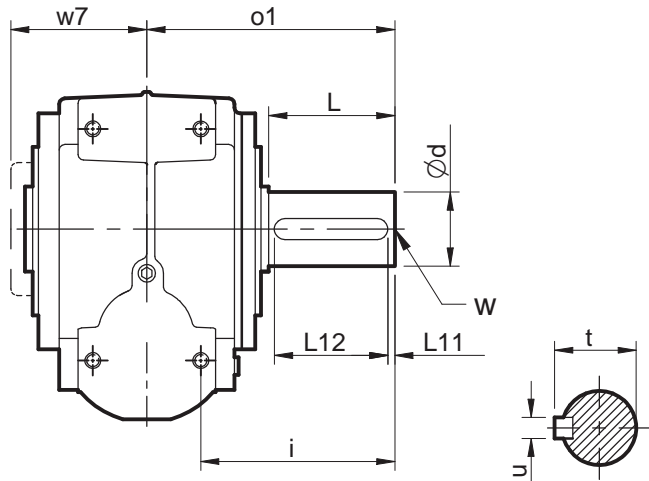
DIMENSIONS

OUTPUTSHAFT OPTIONS

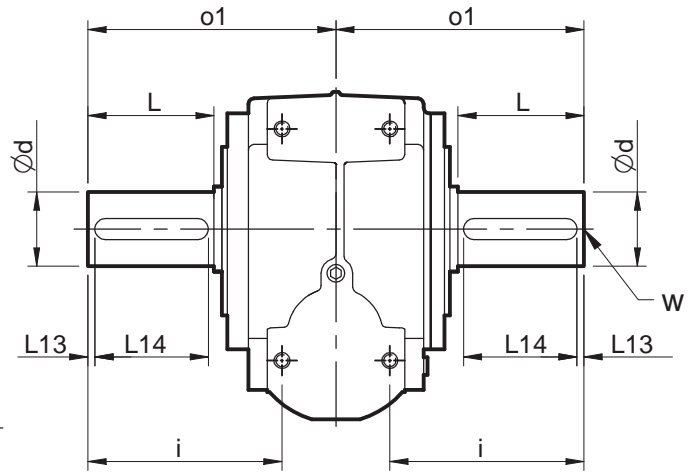
STANDARD OUTPUTSHAFT OPTION

STANDARD DOUBLE EXTENDED OUTPUTSHAFT OPTION

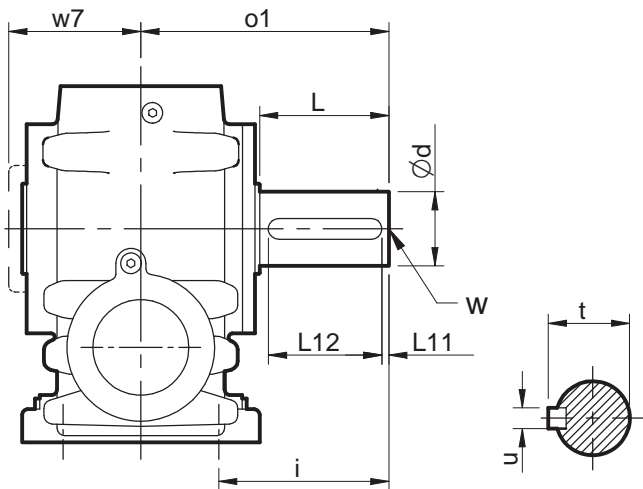
C03 - C06



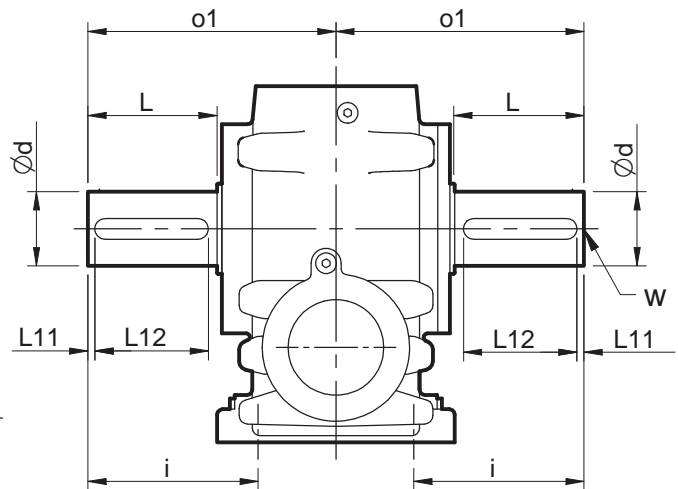
C03 - C06



C07 - C10



C07 - C10

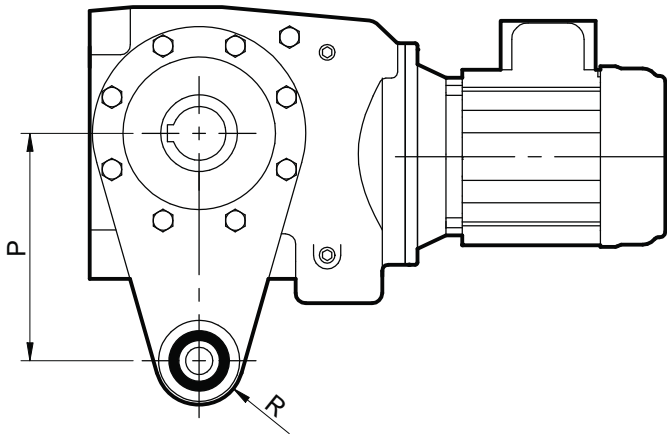


| Size | ød | i | L | L11 | L12 | o1 | t | u | w | w7 |
|-----------------------------|-----------------|-----|-----|-----|-----|-----|------|----|-----------------|------|
| C0321 | 20,015 / 20,002 | 73 | 35 | 3 | 31 | 100 | 22,5 | 6 | M8 x 1.0 x 16 | 70 |
| C0421 | 25,015 / 25,002 | 87 | 46 | 3 | 42 | 115 | 28 | 8 | M10 x 1.5 x 22 | 74,8 |
| C0521 | 30,015 / 30,002 | 100 | 60 | 3 | 53 | 134 | 33 | 8 | M10 x 1.5 x 22 | 79 |
| C0621 | 35,018 / 35,002 | 120 | 63 | 3 | 55 | 160 | 38 | 10 | M12 x 1.75 x 25 | 101 |
| C0621 Heavy duty | 45,018 / 45,002 | 155 | 98 | 5 | 80 | 195 | 48,5 | 14 | M12 x 1.75 x 25 | 101 |
| C0721 | 45,018 / 45,002 | 120 | 76 | 3 | 70 | 195 | 48,5 | 14 | M16 x 2.0 x 36 | 125 |
| C0821 | 60,030 / 60,011 | 155 | 120 | 3 | 110 | 255 | 64 | 18 | M20 x 2.5 x 42 | 143 |
| C0921 | 70,030 / 70,011 | 170 | 135 | 3 | 125 | 295 | 74,5 | 20 | M20 x 2.5 x 42 | 169 |
| C1021 | 90,035 / 90,013 | 216 | 170 | 3 | 160 | 366 | 95 | 25 | M24 x 3.0 x 50 | 198 |

SERIES C

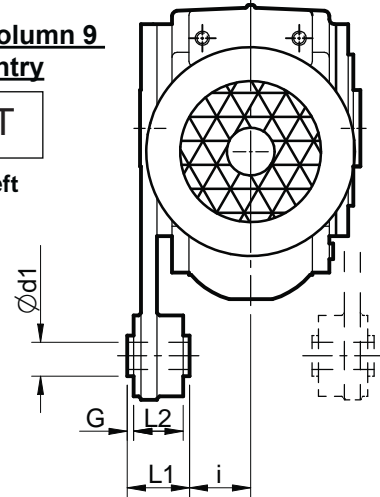
TORQUE ARM

It is recommended that the torque arm is positioned such that the it is fitted on the side of the unit adjacent to the driven machine.



Column 9 Entry

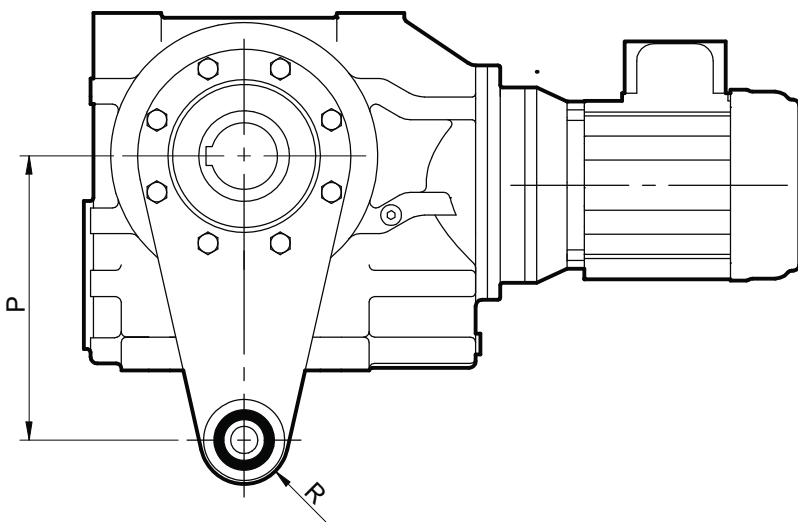
T
Left



Column 9 Entry

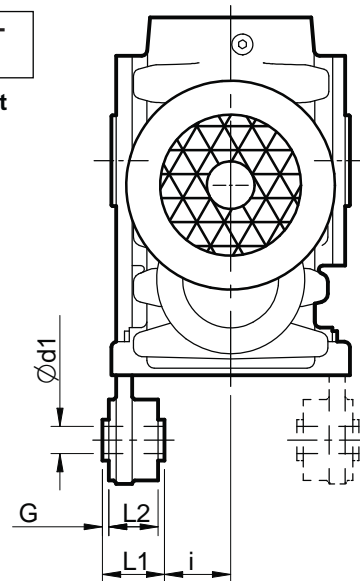
Q
Right

| Size | d1 | G | i | L1 | L2 | P | R |
|------|------|---|------|----|----|-----|----|
| C03 | 10.3 | 2 | 47 | 36 | 32 | 110 | 23 |
| C04 | 10.3 | 2 | 52 | 36 | 32 | 130 | 23 |
| C05 | 10.3 | 2 | 52 | 36 | 32 | 160 | 23 |
| C06 | 16.3 | 2 | 71.5 | 44 | 32 | 200 | 38 |



Column 9 Entry

T
Left



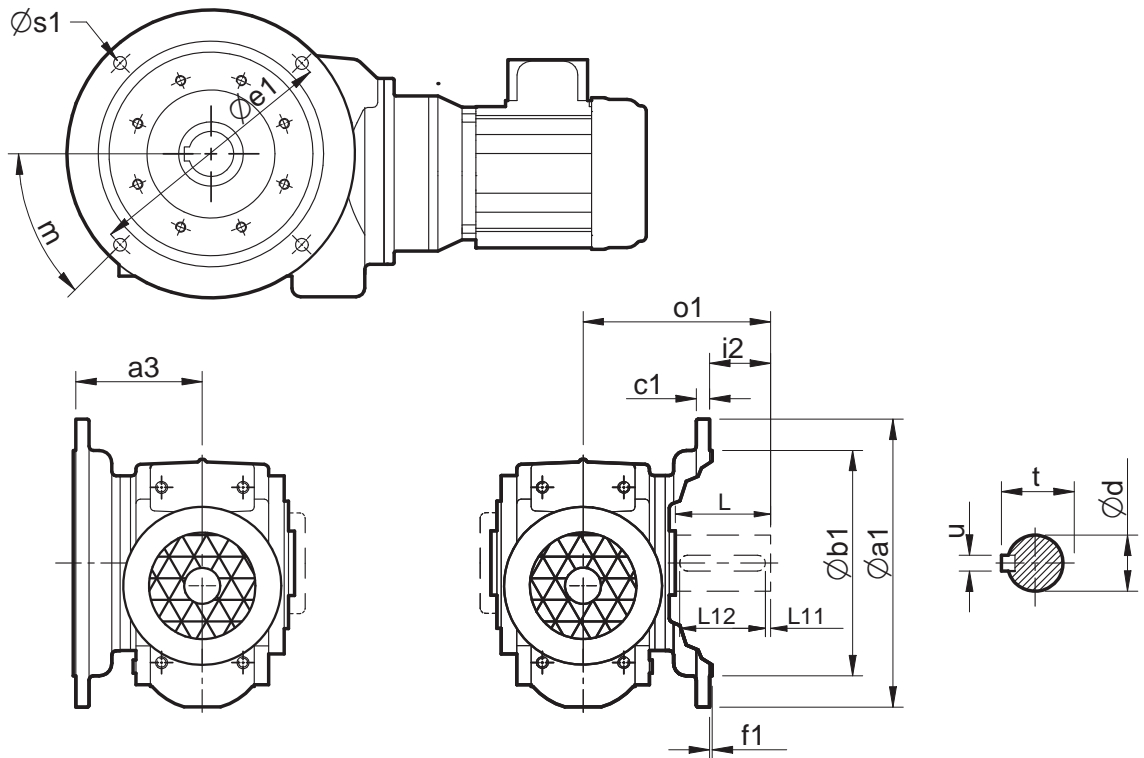
Q
Right

| Size | $\phi d1$ | G | i | L1 | L2 | P | R |
|------|-----------|---|------|----|----|-----|----|
| C07 | 16.3 | 2 | 77.5 | 60 | 56 | 250 | 38 |
| C08 | 16.3 | 2 | 85.5 | 60 | 56 | 310 | 38 |
| C09 | 25 | 5 | 98 | 80 | 70 | 380 | 45 |
| C10 | 25 | 5 | 137 | 80 | 70 | 430 | 45 |

SERIES C

DIMENSIONS

D (B5) FLANGE



Column 9 Entry

F Left

Column 9 Entry

H Right

| Size | Øa1 | a3 | Øb1 | c1 | Øe1 | f1 | m | Øs1 |
|------------------------|-----|-----|--------|----|-----|-----|-------|-----|
| C03 Red Dia. | 120 | 75 | 80 j6 | 8 | 100 | 3 | 45° | 6.6 |
| C03 | 160 | 75 | 110 j6 | 10 | 130 | 4 | 45° | 9 |
| C04 | 160 | 86 | 110 j6 | 10 | 130 | 3.5 | 45° | 9 |
| C05 | 200 | 107 | 130 j6 | 12 | 165 | 3.5 | 45° | 11 |
| C06 | 200 | 120 | 130 j6 | 12 | 165 | 3.5 | 45° | 11 |
| C07 | 250 | 145 | 180 j6 | 12 | 215 | 4 | 45° | 14 |
| C08 | 350 | 170 | 250 h6 | 18 | 300 | 5 | 45° | 18 |
| C09 | 450 | 200 | 350 h6 | 20 | 400 | 5 | 22.5° | 18 |
| C10 | 450 | 232 | 350 h6 | 22 | 400 | 5 | 22.5° | 18 |

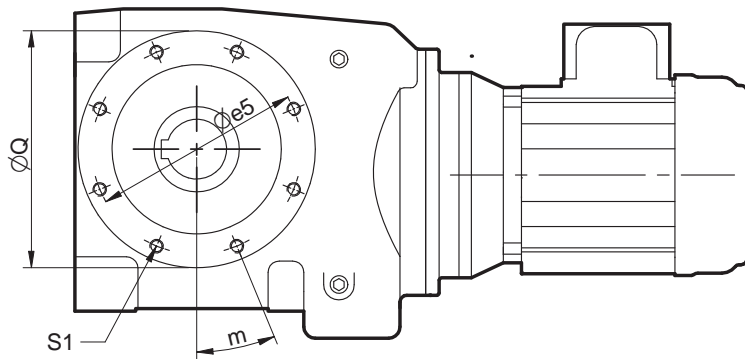
| Size | Ød | i 2 | L | L11 | L12 | o | t | u | v |
|----------------------------|-----------------|-----|-----|-----|-----|-----|------|----|-----------------|
| C0321 | 20.015 / 20.002 | 27 | 35 | 3 | 31 | 100 | 22.5 | 6 | M8 x 1.0 x 16 |
| C0421 | 25.015 / 25.002 | 40 | 46 | 3 | 42 | 115 | 28 | 8 | M10 x 1.5 x 22 |
| C0521 | 30.015 / 30.002 | 48 | 60 | 3 | 53 | 134 | 33 | 8 | M10 x 1.5 x 22 |
| C0621 | 35.018 / 35.002 | 53 | 63 | 3 | 55 | 160 | 38 | 10 | M12 x 1.75 x 22 |
| C0621 Heavy duty | 45.018 / 45.002 | 75 | 98 | 5 | 80 | 195 | 48.5 | 14 | M12 x 1.75 x 22 |
| C0721 | 45.018 / 45.002 | 50 | 76 | 3 | 70 | 195 | 48.5 | 14 | M16 x 2.0 x 36 |
| C0821 | 60.030 / 60.011 | 85 | 120 | 3 | 110 | 255 | 64 | 18 | M20 x 2.5 x 42 |
| C0921 | 70.030 / 70.011 | 95 | 135 | 3 | 125 | 295 | 74.5 | 20 | M20 x 2.5 x 42 |
| C1021 | 90.035 / 90.013 | 134 | 170 | 3 | 160 | 366 | 95 | 25 | M24 x 3.0 x 50 |

SERIES C

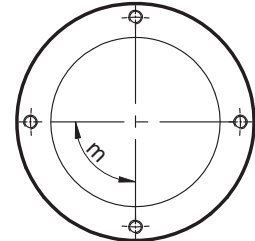
DIMENSIONS

C (B14) FLANGE

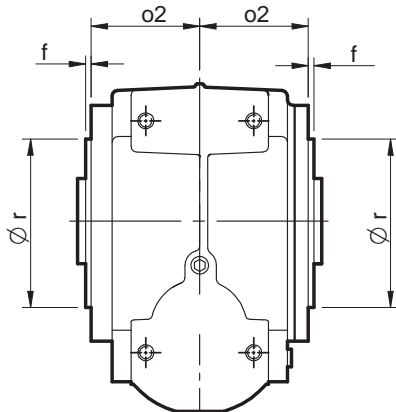
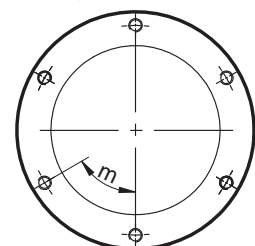
C04, C05, C06, C08



C03

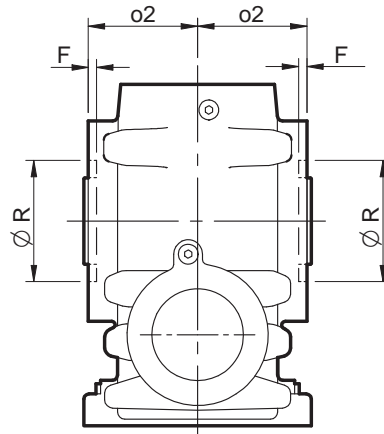


C07, C09



C03 - C06

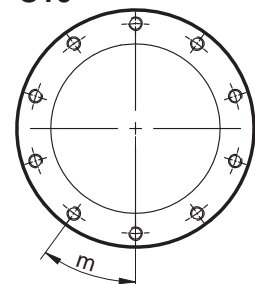
Male spigot



C07 - C10

Female recess

C10

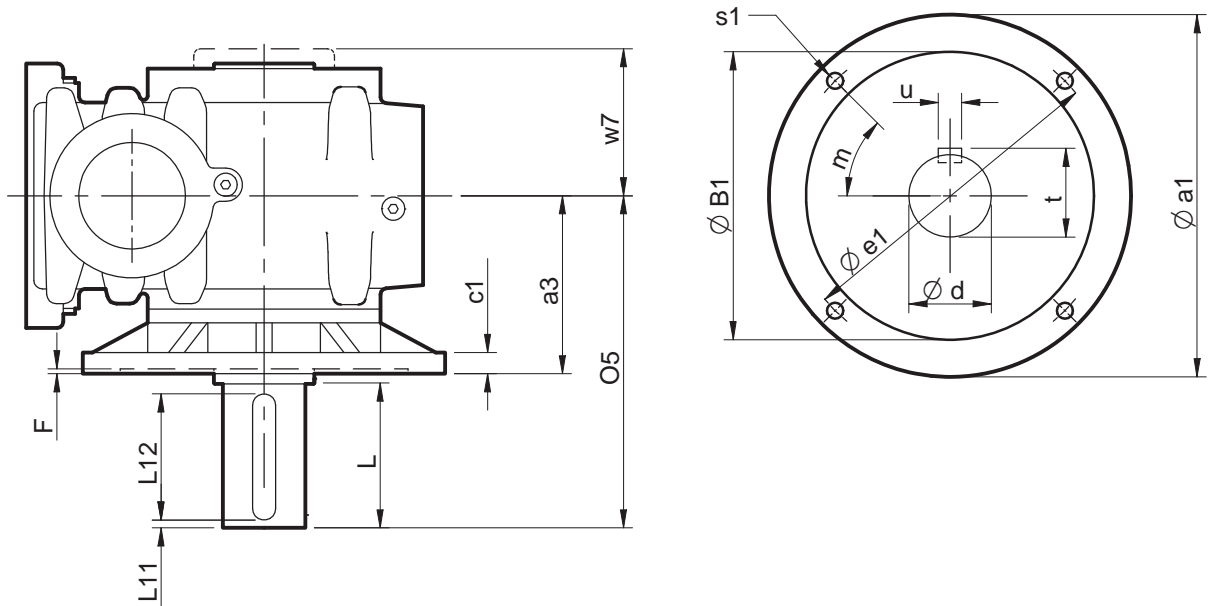


| Size | $\phi e5$ | f | F | m | o2 | ϕQ | ϕr (h7) | ϕR (H7) | S1 |
|------|-----------|---|-----|-------|-----|----------|---------------|---------------|---------------------|
| C03 | 90 | 4 | - | 90° | 57 | 106 | 70 | - | (4) M8 x 1.25 x 22 |
| C04 | 107 | 4 | - | 22.5° | 57 | 122 | 85 | - | (8) M8 x 1.25 x 22 |
| C05 | 130 | 4 | - | 22.5° | 62 | 146 | 105 | - | (8) M8 x 1.25 x 22 |
| C06 | 155 | 5 | - | 22.5° | 81 | 175 | 125 | - | (8) M10 x 1.5 x 22 |
| C07 | 150 | - | 4.5 | 60° | 104 | 180 | - | 130 | (6) M12 x 1.75 x 22 |
| C08 | 195 | - | 5.0 | 22.5° | 120 | 220 | - | 150 | (8) M12 x 1.75 x 22 |
| C09 | 230 | - | 5.0 | 60° | 144 | 280 | - | 180 | (6) M16 x 2.0 x 27 |
| C10 | 280 | - | 7.0 | 36° | 167 | 360 | - | 210 | (10) M16 x 2.0 x 27 |

SERIES C

AGITATOR UNITS

AGITATOR - Non Standard Special Build.
Please consult our Application Engineers



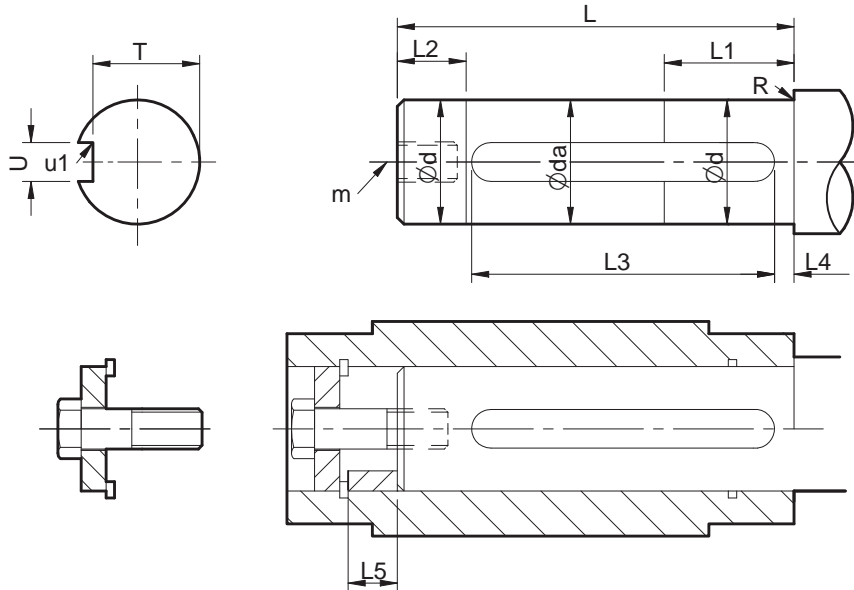
| Size | a1 | a3 | B1 (H7) | c1 | d (m6) | e1 | F | L | L11 | L12 | m | O5 | S | t | u | w7 |
|------------|-----|-----|---------|----|--------|-----|---|-----|-----|-----|-------|-----|----------|------|----|-----|
| C07 | 300 | 160 | 230 | 16 | 65 | 265 | 6 | 125 | 5 | 110 | 45° | 290 | (4) Ø 15 | 69 | 18 | 125 |
| C08 | 350 | 180 | 250 | 17 | 75 | 300 | 7 | 140 | 5 | 125 | 45° | 325 | (4) Ø 19 | 79.5 | 20 | 143 |
| C09 | 400 | 200 | 300 | 20 | 85 | 350 | 7 | 155 | 5 | 140 | 45° | 360 | (4) Ø 19 | 90 | 22 | 169 |
| C10 | 450 | 212 | 350 | 22 | 100 | 400 | 7 | 175 | 5 | 160 | 22.5° | 392 | (8) Ø 19 | 106 | 28 | 198 |

SERIES C

DIMENSIONS

STANDARD BORE ASSEMBLY

ASSEMBLY ONTO SHAFT - CUSTOMERS SHAFT DETAIL



| Size | Bore | d | da | L | L1 | L2 | L3 | L4 | L5 | m | N | R | T | U | u1 |
|------|---------|--------------------|------|-----|-----|----|----------------|----|----|-------------|--------|------|--------------|--------------------|---------------|
| C03 | Std | 19.993/ 19.980 | 19.6 | 82 | 30 | 10 | 61.3 61.0 | 3 | 22 | M6x1.0x16 | 8 Nm | 0.8R | 16.5 16.4 | 6.000 / 5.970 | 0.16 0.25R |
| | Reduced | 24.993/ 24.980 | 24.6 | 99 | 38 | 13 | 79.3 79.0 | 3 | 23 | M10x1.5x22 | 15 Nm | 0.8R | 21.0 20.8 | 8.000 / 7.964 | 0.16 0.25R |
| C04 | Std | 29.993/ 29.980 | 29.6 | 99 | 45 | 15 | 79.3 79.0 | 3 | 26 | M10x1.5x22 | 15 Nm | 0.8R | 26.0 25.8 | 8.000 / 7.964 | 0.16 0.25R |
| | Reduced | 29.993/ 29.980 | 29.6 | 104 | 45 | 15 | 79.3 79.0 | 3 | 23 | M10x1.5x22 | 15 Nm | 0.8R | 26.0 25.8 | 8.000 / 7.964 | 0.16 0.25R |
| C05 | Std | 34.991/ 34.975 | 34.6 | 104 | 53 | 18 | 77.3 77.0 | 3 | 23 | M12x1.75x28 | 20 Nm | 0.8R | 30.0 29.8 | 10.000 / 9.964 | 0.16 0.25R |
| | Reduced | 34.991/ 34.975 | 34.6 | 125 | 60 | 20 | 100.5 100.0 | 3 | 31 | M16x2x36 | 45 Nm | 0.8R | 35.0 34.8 | 12.000 / 11.957 | 0.4 0.25R |
| C06 | Std | 44.991/ 44.975 | 44.6 | 125 | 68 | 23 | 101.5 101.0 | 3 | 31 | M16x2x36 | 45 Nm | 0.8R | 39.5 39.3 | 14.000 / 13.957 | 0.4 0.25R |
| | Reduced | 49.991/ 49.975 | 49.6 | 153 | 75 | 25 | 130.5 130.0 | 3 | 35 | M16x2x38 | 45 Nm | 1.2R | 44.5 44.3 | 14.000 / 13.957 | 0.4 0.25R |
| C07 | Std | 59.990 / 59.971 | 59.6 | 153 | 90 | 30 | 148.5 148.0 | 3 | 38 | M20x2.5x42 | 85 Nm | 1.2R | 53.0 52.8 | 18.000 / 17.957 | 0.4 0.25R |
| | Reduced | 59.990 / 59.971 | 59.6 | 183 | 91 | 31 | 148.5 148.0 | 3 | 37 | M20x2.5x42 | 85 Nm | 1.2R | 53.0 52.8 | 18.000 / 17.957 | 0.4 0.25R |
| C08 | Std | 69.990 / 69.971 | 69.6 | 183 | 105 | 35 | 177.5 177.0 | 3 | 37 | M20x2.5x42 | 85 Nm | 1.2R | 62.5 62.3 | 20.000 / 19.94 | 0.6 80.4R |
| | Reduced | 69.990 / 69.971 | 69.6 | 227 | 105 | 35 | 177.5 177.0 | 3 | 58 | M20x2.5x42 | 85 Nm | 1.2R | 62.5 62.3 | 20.000 / 19.94 | 0.6 80.4R |
| C09 | Std | 89.988 / 89.966 | 89.6 | 227 | 135 | 45 | 221.5 221.0 | 3 | 58 | M24x3.0x50 | 200 Nm | 1.2R | 81.0 80.8 | 25.000 / 24.948 | 0.6 0.4R |
| | Reduced | 79.990 / 79.971 | 79.6 | 260 | 120 | 40 | 225.5 225.0 | 3 | 53 | M20x2.5x42 | 85 Nm | 1.2R | 71.0 70.8 | 22.000 / 21.946 | 0.6 0.4R |
| C10 | Std | 99.988/ 99.966 | 99.6 | 327 | 150 | 45 | 238.5 238.0 | 10 | 46 | M24x3x50 | 200 Nm | 1.2R | 90 89.8 | 28.000/ 27.948 | 0.4 0.4R |
| | Reduced | 99.988/ 99.966 | 99.6 | 327 | 150 | 45 | 238.5 238.0 | 10 | 46 | M24x3x50 | 200 Nm | 1.2R | 90 89.8 | 28.000/ 27.948 | 0.4 0.4R |

Assembly Instructions

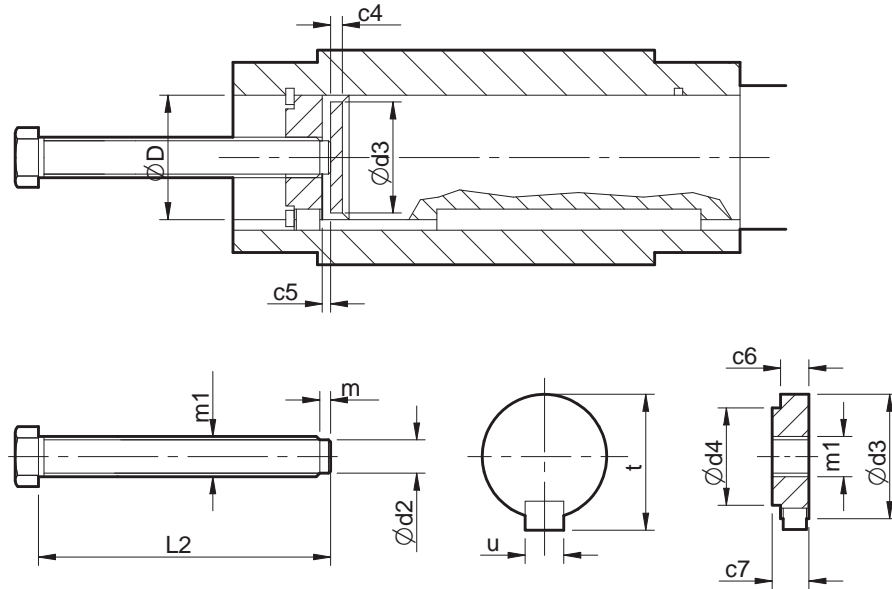
1. Spray the hollow shaft bore and mating diameter of the output shaft with Rocol DFSM or equivalent antiscuffing spray.
2. Fit key into shaft.
3. Fit the circlip into the output sleeve.
4. Fit the spacer tube only if the output shaft has no shoulder, then fit the output shaft into the output sleeve.
5. Secure in place with the washer and bolt. Torque tighten to the values stated in column N of the above table.
6. Fit plastic protective cover.

SERIES C

DIMENSIONS

STANDARD BORE DISASSEMBLY

DISASSEMBLY METHOD FROM SHAFT



PARTS SUPPLIED BY CUSTOMER

| Size | Bore | c4 | c6 | c7 | D (H7) | d2 | d3 | d4 | L2 | m | m1 | t | u |
|------|---------|----|----|----|--------|----|------|------|-----|---|-----------|------|----|
| C03 | Std | 5 | 10 | 12 | 20 | 7 | 19.9 | 11.2 | 120 | 3 | M10 x 1.5 | 22 | 6 |
| C04 | Reduced | 5 | 15 | 17 | 25 | 13 | 24.9 | 16.2 | 160 | 3 | M16 x 2.0 | 2 | 8 |
| | Std | 5 | 15 | 17 | 30 | 13 | 29.9 | 20.8 | 160 | 3 | M16 x 2.0 | 33 | 8 |
| C05 | Reduced | 5 | 15 | 17 | 30 | 13 | 29.9 | 20.8 | 160 | 3 | M16 x 2.0 | 33 | 8 |
| | Std | 5 | 15 | 17 | 35 | 13 | 34.9 | 25.2 | 160 | 3 | M16 x 2.0 | 38 | 10 |
| C06 | Reduced | 5 | 20 | 23 | 40 | 20 | 39.9 | 30.9 | 220 | 3 | M24 x 3.0 | 43 | 12 |
| | Std | 5 | 20 | 23 | 45 | 20 | 44.9 | 34.1 | 220 | 3 | M24 x 3.0 | 49 | 14 |
| C07 | Reduced | 5 | 20 | 23 | 50 | 20 | 49.9 | 39.0 | 220 | 3 | M24 x 3.0 | 54 | 14 |
| | Std | 8 | 24 | 27 | 60 | 26 | 59.9 | 47.4 | 250 | 5 | M30 x 3.5 | 64 | 1 |
| C08 | Reduced | 8 | 24 | 27 | 60 | 26 | 59.9 | 47.4 | 250 | 5 | M30 x 3.5 | 64 | 1 |
| | Std | 8 | 24 | 27 | 70 | 26 | 69.9 | 58.4 | 310 | 5 | M30 x 3.5 | 74.5 | 20 |
| C09 | Reduced | 8 | 24 | 27 | 70 | 26 | 69.9 | 58.4 | 310 | 5 | M30 x 3.5 | 74.5 | 20 |
| | Std | 8 | 24 | 27 | 90 | 26 | 89.9 | 75.3 | 360 | 5 | M30 x 3.5 | 95 | 25 |
| C10 | Reduced | 8 | 24 | 27 | 80 | 26 | 79.9 | 65.5 | 360 | 5 | M30 x 3.5 | 85 | 22 |
| | Std | 8 | 30 | 34 | 100 | 32 | 99.9 | 84.1 | 420 | 5 | M30 x 3.5 | 106 | 2 |

SERIES C

SHIPPING SPECIFICATION

BASE MOUNT UNITS WITH STANDARD HOLLOW SHAFT

| Unit size & No off reductions | | C0321 | C0331 | C0341 | C0421 | C0431 | C0441 | C0521 | C0531 | C0541 | C0621 | C0631 | C0641 | C0721 | C0731 | C0741 | C0821 | C0841 | C0921 | C0941 | C1021 | C1041 | |
|-------------------------------|---------------|---------------|-------|-------|-------|-------|-------|-------|-------|-------|-------|-------|-------|-------|-------|-------|-------|-------|-------|-------|-------|-------|-----|
| Reducer Version | | 11 | 14 | 20 | 15 | 18 | 23 | 18 | 21 | 28 | 32 | 38 | 43 | 74 | 81 | 83 | 117 | 143 | 181 | 204 | 326 | 372 | |
| Single Output Shaft | | 0.4 | | | 1.0 | | | 1.5 | | | 3.7 | | | 7.0 | | | 12 | | 19 | | 30 | | |
| Double Output Shaft | | 0.6 | | | 1.5 | | | 2.3 | | | 5.6 | | | 11 | | | 18 | | 28 | | 45 | | |
| Motorised | 63 | Without Motor | 12 | 13 | 20 | 16 | 17 | 24 | 18 | 19 | 29 | 28 | 33 | 44 | | 80 | 83 | | | | | | |
| | | With Motor | 16 | 17 | 25 | 20 | 21 | 29 | 23 | 24 | 33 | 32 | 37 | 48 | | 84 | 88 | | | | | | |
| | 71 | Without Motor | 11 | 13 | 20 | 15 | 17 | 24 | 18 | 19 | 28 | 28 | 33 | 44 | | 80 | 83 | | | | | | |
| | | With Motor | 18 | 19 | 26 | 22 | 23 | 30 | 25 | 26 | 35 | 34 | 39 | 50 | | 87 | 89 | | | | | | |
| | 80A | Without Motor | 12 | 14 | 20 | 16 | 18 | 24 | 19 | 22 | 29 | 31 | 35 | 44 | 71 | 80 | 83 | 118 | 143 | 174 | 204 | | 369 |
| | | With Motor | 21 | 23 | 30 | 25 | 27 | 34 | 28 | 31 | 38 | 39 | 43 | 54 | 80 | 88 | 93 | 127 | 152 | 183 | 213 | | 37 |
| | 80B | Without Motor | 12 | 14 | 20 | 16 | 18 | 24 | 19 | 22 | 29 | 31 | 35 | 44 | 71 | 80 | 83 | 118 | 143 | 174 | 204 | | 369 |
| | | With Motor | 23 | 25 | 31 | 27 | 29 | 35 | 30 | 33 | 40 | 42 | 46 | 55 | 82 | 91 | 94 | 129 | 154 | 185 | 215 | | 380 |
| | 90S | Without Motor | 13 | 15 | 21 | 16 | 18 | 25 | 19 | 22 | 30 | 32 | 35 | 45 | 72 | 80 | 84 | 118 | 144 | 174 | 205 | | 370 |
| | | With Motor | 26 | 28 | 35 | 30 | 32 | 39 | 33 | 36 | 43 | 46 | 50 | 58 | 85 | 94 | 98 | 131 | 157 | 187 | 218 | | 383 |
| | 90L | Without Motor | 13 | 15 | 21 | 16 | 18 | 25 | 19 | 22 | 30 | 32 | 35 | 45 | 72 | 80 | 84 | 118 | 144 | 174 | 205 | | 370 |
| | | With Motor | 27 | 29 | 36 | 31 | 33 | 40 | 34 | 37 | 44 | 47 | 52 | 59 | 86 | 95 | 99 | 132 | 158 | 188 | 219 | | 34 |
| | 100L | Without Motor | | | | | | | | | | 35 | | | 74 | | | 120 | 146 | 176 | 207 | 313 | 372 |
| | | With Motor | | | | | | | | | | 59 | | | 98 | | | 144 | 170 | 200 | 231 | 337 | 396 |
| | 112M | Without Motor | | | | | | | | | | 35 | | | 74 | | | 120 | 146 | 176 | 207 | 313 | 372 |
| | | With Motor | | | | | | | | | | 66 | | | 105 | | | 151 | 177 | 207 | 238 | 344 | 403 |
| | 132S | Without Motor | | | | | | | | | | | | | 76 | | | 123 | | 179 | | 316 | 374 |
| | | With Motor | | | | | | | | | | | | | 124 | | | 171 | | 227 | | 364 | 422 |
| | 132M | Without Motor | | | | | | | | | | | | | 76 | | | 123 | | 179 | | 316 | 374 |
| | | With Motor | | | | | | | | | | | | | 128 | | | 175 | | 231 | | 368 | 426 |
| | 160M | Without Motor | | | | | | | | | | | | | | | | 128 | | 184 | | 321 | |
| | | With Motor | | | | | | | | | | | | | | | | 241 | | 297 | | 434 | |
| | 160L | Without Motor | | | | | | | | | | | | | | | | 128 | | 184 | | 321 | |
| | | With Motor | | | | | | | | | | | | | | | | 261 | | 317 | | 454 | |
| | 180M | Without Motor | | | | | | | | | | | | | | | | | | 197 | | 334 | |
| | | With Motor | | | | | | | | | | | | | | | | | | 364 | | 501 | |
| | 180L | Without Motor | | | | | | | | | | | | | | | | | | 197 | | 334 | |
| | | With Motor | | | | | | | | | | | | | | | | | | 378 | | 515 | |
| 200L | Without Motor | | | | | | | | | | | | | | | | | | 201 | | 338 | | |
| | With Motor | | | | | | | | | | | | | | | | | | 433 | | 570 | | |
| 225S | Without Motor | | | | | | | | | | | | | | | | | | 205 | | 342 | | |
| | With Motor | | | | | | | | | | | | | | | | | | 492 | | 629 | | |
| 225M | Without Motor | | | | | | | | | | | | | | | | | | 205 | | 342 | | |
| | With Motor | | | | | | | | | | | | | | | | | | 527 | | 664 | | |

ALL WEIGHTS IN KG ALL WEIGHTS EXCLUDE LUBRICANT AND ARE FOR STANDARD SHAFT MOUNT UNITS, FOR BASE MOUNT UNITS ADD WEIGHT OF SHAFT (SHOWN AT TOP OF TABLE) TO THE FIGURES SHOWN ABOVE

IMPORTANT

Product Safety Information

General - The following information is important in ensuring safety. It **must** be brought to the attention of personnel involved in the selection of the equipment, those responsible for the design of the machinery in which it is to be incorporated and those involved in its installation, use and maintenance.

The equipment will operate safely provided it is selected, installed, used and maintained properly. As with any power transmission equipment **proper precautions must** be taken as indicated in the following paragraphs, to ensure safety.

Potential Hazards - these are **not** necessarily listed in any order of severity as the degree of danger varies in individual circumstances. It is important therefore that the list is studied in its entirety:-

- 1) Fire/Explosion
 - (a) Oil mists and vapour are generated within gear units. It is therefore dangerous to use naked lights in the proximity of gearbox openings, due to the risk of fire or explosion.
 - (b) In the event of fire or serious overheating (over 300 °C), certain materials (rubber, plastics, etc.) may decompose and produce fumes. Care should be taken to avoid exposure to the fumes, and the remains of burned or overheated plastic/rubber materials should be handled with rubber gloves.
- 2) Guards - Rotating shafts and couplings must be guarded to eliminate the possibility of physical contact or entanglement of clothing. It should be of rigid construction and firmly secured.
- 3) Noise - High speed gearboxes and gearbox driven machinery may produce noise levels which are damaging to the hearing with prolonged exposure. Ear defenders should be provided for personnel in these circumstances. Reference should be made to the Department of Employment Code of Practice for reducing exposure of employed persons to noise.
- 4) Lifting - Where provided (on larger units) only the lifting points or eyebolts must be used for lifting operations (see maintenance manual or general arrangement drawing for lifting point positions). Failure to use the lifting points provided may result in personal injury and/or damage to the product or surrounding equipment. Keep clear of raised equipment.
- 5) Lubricants and Lubrication
 - (a) Prolonged contact with lubricants can be detrimental to the skin. The manufacturer's instruction must be followed when handling lubricants.
 - (b) The lubrication status of the equipment must be checked before commissioning. Read and carry out all instructions on the lubricant plate and in the installation and maintenance literature. Heed all warning tags. Failure to do so could result in mechanical damage and in extreme cases risk of injury to personnel.
- 6) Electrical Equipment - Observe hazard warnings on electrical equipment and isolate power before working on the gearbox or associated equipment, in order to prevent the machinery being started.
- 7) Installation, Maintenance and Storage
 - (a) In the event that equipment is to be held in storage, for a period exceeding 6 months, prior to installation or commissioning, application engineering must be consulted regarding special preservation requirements. Unless otherwise agreed, equipment must be stored in a building protected from extremes of temperature and humidity to prevent deterioration.

The rotating components (gears and shafts) must be turned a few revolutions once a month (to prevent bearings brinelling).
 - (b) External gearbox components may be supplied with preservative materials applied, in the form of a "waxed" tape overwrap or wax film preservative. Gloves should be worn when removing these materials. The former can be removed manually, the latter using white spirit as a solvent.

Preservatives applied to the internal parts of the gear units do not require removal prior to operation.
 - (c) Installation must be performed in accordance with the manufacturer's instructions and be undertaken by suitably qualified personnel.
 - (d) Before working on a gearbox or associated equipment, ensure that the load has been removed from the system to eliminate the possibility of any movement of the machinery and isolate power supply. Where necessary, provide mechanical means to ensure the machinery cannot move or rotate. Ensure removal of such devices after work is complete.
 - (e) Ensure the proper maintenance of gearboxes in operation. Use only the correct tools and approved spare parts for repair and maintenance. Consult the Maintenance Manual before dismantling or performing maintenance work.
- 8) Hot Surfaces and Lubricants
 - (a) During operation, gear units may become sufficiently hot to cause skin burns. Care must be taken to avoid accidental contact.
 - (b) After extended running the lubricant in gear units and lubrication systems may reach temperatures sufficient to cause burns. Allow equipment to cool before servicing or performing adjustments.
- 9) Selection and Design
 - (a) Where gear units provide a backstop facility, ensure that back-up systems are provided if failure of the backstop device would endanger personnel or result in damage.
 - (b) The driving and driven equipment must be correctly selected to ensure that the complete machinery installation will perform satisfactorily, avoiding system critical speeds, system torsional vibration, etc.
 - (c) The equipment must not be operated in an environment or at speeds, powers, torques or with external loads beyond those for which it was designed.
 - (d) As improvements in design are being made continually the contents of this catalogue are not to be regarded as binding in detail, and drawings and capacities are subject to alterations without notice.

The above guidance is based on the current state of knowledge and our best assessment of the potential hazards in the operation of the gear units.

Any further information or clarification required may be obtained by contacting an Application Engineer.

CONTACT US

AUSTRALIA

Radicon Transmission (Australia) PTY Ltd

Australia
Tel: +61 421 822 315

EUROPE

Benzler TBA BV Jachthavenweg 2 NL-5928 NT Venlo

Germany
Tel: 0800 350 40 00
Fax: 0800 350 40 01

Italy
Tel: +39 02 824 3511

Netherlands & the rest of Europe
Tel: +31 77 324 59 00
Fax: +31 77 324 59 01

INDIA

Elecon. Engineering Company Ltd.

Anand Sojitra Road
Vallabh Vidyanagar
388120 Gujarat
India

Tel: +91 2692 236513

DENMARK

Benzler Transmission A/S

Dalager 1
DK-2605 Brøndby,
Denmark

Tel: +45 36 34 03 00
Fax: +45 36 77 02 42

FINLAND

Oy Benzler AB Vanha Talvitie 3C FI-00580 Helsingfors, Finland

Tel: +358 9 340 1716
Fax: +358 10 296 2072

SWEDEN & NORWAY

AB Benzlers

Porfyrgatan
254 68 Helsingborg
Sweden

Tel: +46 42 18 68 00
Fax: +46 42 21 88 03

THAILAND

Radicon Transmission (Thailand) Ltd

700/43 Moo 6
Amata Nakorn Industrial Estate
Tumbol Klongtumru
Muang,
Chonburi
20000
Thailand

Tel: +66 3845 9044
Fax: +66 3821 3655

UNITED KINGDOM

Radicon Transmission UK Ltd

Unit J3
Lowfields Business Park,
Lowfields Way, Elland
West Yorkshire, HX5 9DA

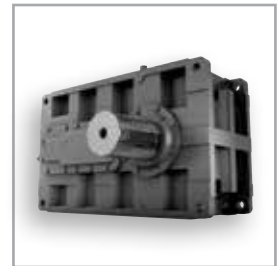
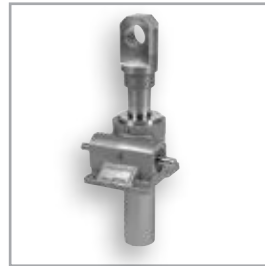
Tel: +44 1484 465 800
Fax: +44 1484 465 801

USA

Radicon Drive Systems, Inc.

2475 Alft Lane
Elgin
Chicago
Illinois
60124
USA

Tel: +1 847 593 9910
Fax: +1 847 593 9950



benzlers^{⚙️}
radicon^{⚙️}

Benzlers

Denmark +45 36 340300
Finland +358 9 3401716
Germany +49 800 3504000
Italy +39 02 824 3511
Sweden +46 42 186800
The Netherlands +31 77 3245900
www.benzlers.com

Radicon

Thailand +66 38459044
United Kingdom +44 1484 465800
USA +1 847 5939910
www.radicon.com