



A World In Movement

I & M Series Worm Gear Units

Pressure Die-Cast Aluminum & Cast Iron
Metric Design

Interchangeable with major brands

12 Sizes - 25mm – 175 mm Center Distances

0.09kW – 55kW with Ratios 7.5:1 – 100:1

Keyed Hollow Output Shaft Standard

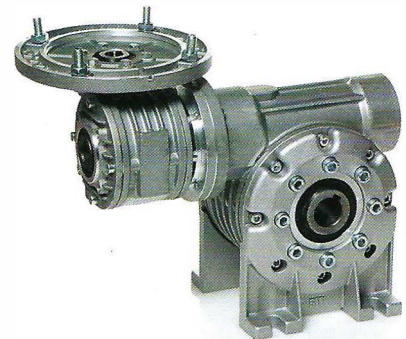
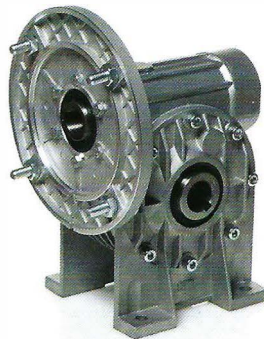
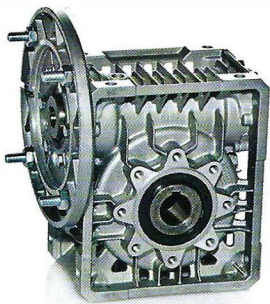
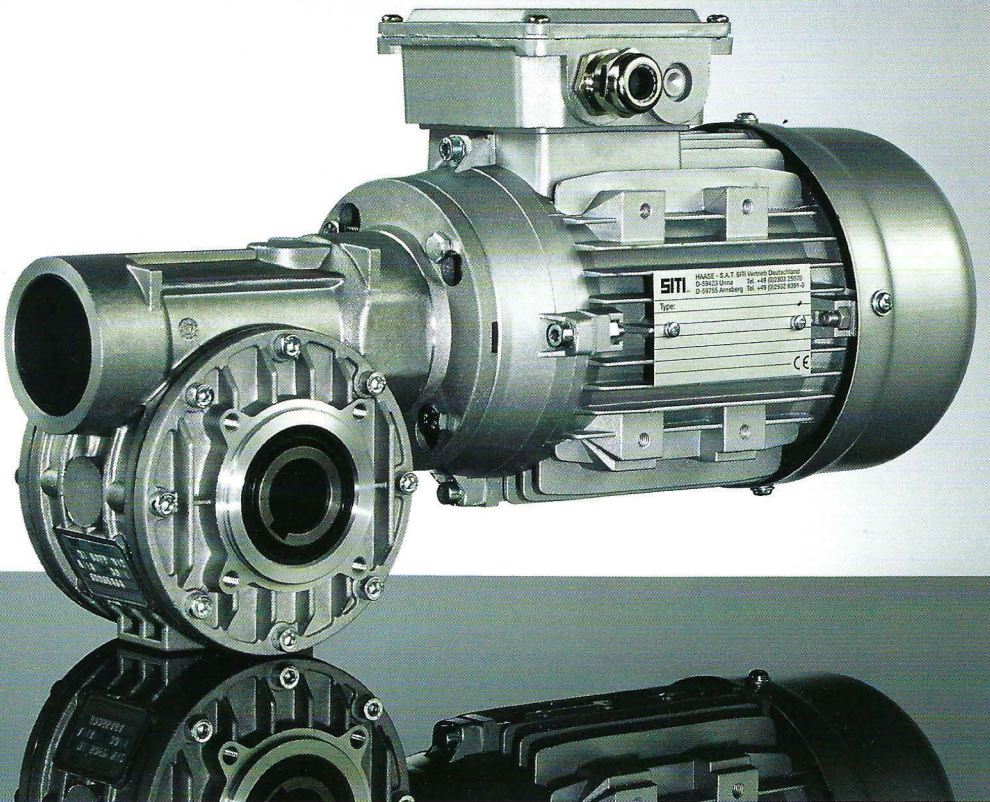
B5 & B14 Motor Adapters

Z1 worm/worm wheel gear profiles

Lubricated for life from factory - size 25-75

Nitrile Shaft Seals

Options: protection cover, torque arm, output flange, output shaft kit, torque limiter, viton oil seals, low/high temperature and food grade oil, filling/drain/breather/level plug, reinforced output



SITI Power Transmission USA

Where Performance, Reliability and Value are 100% Italian Made

About Us

SITI Power Transmission USA is a manufacturer of industrial gearboxes and gearmotors. Our products include worm, planetary, helical and bevel-helical gear units. We are part of SITI Riduttori's world wide network and service a wide range of industrial applications

I & U Worm Unit Features

Metric Design - Interchangeable with major brands

Pressure Die-Cast Aluminum & Cast Iron

12 Sizes - 25mm – 175 mm

0.09kW – 55kW with Ratios 7.5:1 – 100:1

Keyed Hollow Output Shaft Standard

B5 & B14 Motor Adapters

ZI worm/worm wheel gear profiles

Lubricated for life from factory - up to size 90

Nitrile Shaft Seals

- Options: protection cover, torque arm, output flange, output shaft kit, torque limiter, viton oil seals, low/high temperature and food grade oil, filling/drain/breather/level plug, reinforced output



I & U Worm Series Benefits

Space Saving Metric Design

Interchangeable

- Mounting dimensions to Italian standard

Lightweight – Strong

- Pressure die cast aluminum

Cost Effective

- Highly Automated Manufacturing Process

Low Noise & Vibration Free

- ZI gear shape on worm and worm-wheel

Exceptional Rigidity

- One piece housing

High Dynamic and Static Load Ratings

Long Operating Life

- Conservatively Rated

- Meets or exceed ISO standards

High Reliability

- 100% Italian made

Flexible Mounting

- Multiple configurations

- Multiple mounting holes and angles

Wide output speed and torque range

- Ratios from 7.5- 100

Worldwide acceptance with metric design

Readily Available

- Modular from stock

- Littleton, Massachusetts Headquarters

